

ILLUMINATIONS ELECTRIC FIREPLACE™



4915 Illuminations Electric Fireplace™

Tested and Listed by



OMNI-Test Laboratories, Inc.
Beaverton, Oregon
Report # 028-F-88-2
Listed to UL 65, CSA 22.2 #12,
and CSA 22.2 # 250

Owner's Manual

Installer: After installation give this manual to the home-owner and explain operation of this fireplace.

© Copyright 2009, T.I. \$10.00 100-01207_000 4081229



**TRAVIS INDUSTRIES
HOUSE OF FIRE**

www.travisproducts.com
4800 Harbour Pointe Blvd. SW
Mukilteo, WA 98275

Overview


This manual details the installation requirements for the 4915 Illuminations fireplace.

Listing Details

This appliance was listed by OMNI Test Labs to UL 65, CSA 22.2 #12, and CSA 22.2 # 250 - report # 028-F-88-2. The listing label is affixed to the appliance. A copy is shown to the right.

IAS (ICBO) Approval

This appliance was listed by OMNI Test Labs – IAS (ICBO) # TL-130.

Tested & Listed By

 OMNI-Test Laboratories, Inc.
 Report No. 028-F-88-2
 Certified for USA and Canada

Portland Oregon USA

Illuminations Electric Fireplace™

Model 4915
 120 VOLTS AC
 0.4 Amps
 44 Watts
 60 HERTZ
 BULBS* (4 Watts Each) 11

*Use only with Travis Industries 250-01435 Luminaire (Bulb)

Suitable for damp locations. Not suitable for wet locations. Fireplace must be mounted in a level position with sockets facing upwards. This luminaire must be mounted or supported independently of an outlet box.
 For use in non-fire-rated installations only.

Model 1924
 120 VOLTS AC
 0.1 Amps
 12 Watts
 60 HERTZ
 BULBS* (4 Watts Each) 3

*Use only with Travis Industries 250-01435 Luminaire (Bulb)


Suitable for damp locations. Not suitable for wet locations. Fireplace must be mounted in a level position with sockets facing upwards. This luminaire must be mounted or supported independently of an outlet box.
 For use in non-fire-rated installations only.

Min. 105°C supply conductors. Push conductors into junction box. Suitable for operation in ambient not exceeding 60°C. This product must be installed in accordance with the applicable installation code by a person familiar with the construction and operation of the product and the hazards involved.

WARNING: Do not use materials or devices other than those supplied by Travis Industries for use inside the fireplace. Contact Travis Industries for a detailed list of compatible components. Use only with Travis Industries Trims (Glass Frame). Fireplace must be operated with glass frame in place. These instructions must be followed in order to meet the requirements of the Canadian Electrical Code, Parts I & II.

Date of Manufacture

2009	2010	2011	2012				
Jan	Feb	Mar	Apr	May	Jun	Jul	Aug
■	■	■	■	■	■	■	■
■	■	■	■	■	■	■	■
■	■	■	■	■	■	■	■
■	■	■	■	■	■	■	■



TRAVIS INDUSTRIES HOUSE OF FIRE
 www.travisproducts.com
 4800 Harbour Pointe Blvd, SW
 Mukitico, WA 98275

IGN-811

Introduction

Overview 2
 Listing Details..... 2

Safety Precautions

Safety Precautions 4

Features and Specifications

Installation Options..... 6
 Electrical Specifications..... 6
 Dimensions 6

Installation

Packing List..... 6
 Additional Items Required 6
 Unpacking the Fireplace..... 6
 Front and Back Panels 6
 Mirrored or Black Panel Behind Candles..... 6
 Recommended Installation Procedure 6
 Fireplace Placement Requirements 6
 Framing Dimensions – One-Sided Configuration 7
 Framing Dimensions – Two Sided Configuration 8
 Nailing Brackets 9
 Electrical Connection 10
 Wiring the Junction Box..... 10
 Facing Examples..... 11
 Steps for Finalizing the Installation..... 13
 Mirror Preparation 13
 Light Bulb Installation 14
 Cylinder Installation 14
 Crushed Glass Installation 14
 Glass Frame Removal and Installation..... 15

Operation

Facing 16

Maintenance

Maintenance 16

Warranty

Warranty 17

Index

Index 18

- USE ONLY WITH TRAVIS INDUSTRIES 250-01435 LUMINAIRE (BULB)
- SUITABLE FOR DAMP LOCATIONS. NOT SUITABLE FOR WET LOCATIONS.
- FIREPLACE MUST BE MOUNTED IN A LEVEL POSITION WITH SOCKETS FACING UPWARDS. THIS LUMINAIRE MUST BE MOUNTED OR SUPPORTED INDEPENDENTLY OF AN OUTLET BOX. FOR USE IN NON-FIRE-RATED INSTALLATIONS ONLY.
- MIN. 105° C SUPPLY CONDUCTORS. PUSH CONDUCTORS INTO JUNCTION BOX.
- SUITABLE FOR OPERATION IN AMBIENT NOT EXCEEDING 60° C.
- THIS PRODUCT MUST BE INSTALLED IN ACCORDANCE WITH THE APPLICABLE INSTALLATION CODE BY A PERSON FAMILIAR WITH THE CONSTRUCTION AND OPERATION OF THE PRODUCT AND THE HAZARDS INVOLVED.
- WARNING: DO NOT USE MATERIALS OR DEVICES OTHER THAN THOSE SUPPLIED BY TRAVIS INDUSTRIES FOR USE INSIDE THE FIREPLACE. CONTACT TRAVIS INDUSTRIES FOR A DETAILED LIST OF COMPATIBLE COMPONENTS. USE ONLY WITH TRAVIS INDUSTRIES TRIMS (GLASS FRAME).
- FIREPLACE MUST BE OPERATED WITH GLASS FRAME IN PLACE.
- THESE INSTRUCTIONS MUST BE FOLLOWED IN ORDER TO MEET THE REQUIREMENTS OF THE CANADIAN ELECTRICAL CODE, PARTS I AND II.
- Failure to follow all of the requirements may result in property damage, bodily injury, or even death.
- This unit must be installed by a qualified installer.
- This appliance must be installed in accordance with all local codes.
- Notify your insurance company before hooking up this fireplace.
- The instructions in this manual must be strictly adhered to. Do not use makeshift methods or compromise in the installation. Improper installation will void the warranty and safety listing.
- Contact your local building officials to obtain a permit and information on any installation restrictions or inspection requirements in your area.
- Do not operate the fireplace if it is not operating properly in any fashion or if you are uncertain. Call your dealer for a full explanation of your fireplace and what to expect.
- Do not store or use gasoline or other flammable liquids in the vicinity of this fireplace.
- Do not operate if any portion of the fireplace was submerged in water or if any corrosion occurs.
- Never remove, replace, modify or substitute any part of the fireplace unless instructions are given in this manual. All other work must be done by a trained technician. The lamps (candles) must only be replaced with Travis Industries lamps (250-01435). Installation of lamps other than Travis lamps will void the warranty and listing of this product and may create a safety hazard.
- The viewing glass should be opened only for conducting service.
- Disconnect power to the fireplace before carrying out any maintenance or cleaning. We recommend turning the circuit breaker off.
- Operate the fireplace according to the instructions included in this manual.
- This unit is not for use with solid fuel (wax-burning candles, etc.).
- Do not place anything inside the fireplace except the included candles, cylinders, and crushed glass from Travis Industries.
- If any candle or other component becomes damaged or burns out, replace only with Travis Industries replacement components.
- Do not throw this manual away. This manual has important operating and maintenance instructions that you may need at a later time. Always follow the instructions in this manual.
- Do not strike or slam any item against the tempered glass.
- **Travis Industries, Inc. grants no warranty, implied or stated, for the installation or maintenance of your fireplace, and assumes no responsibility of any consequential damage(s).**

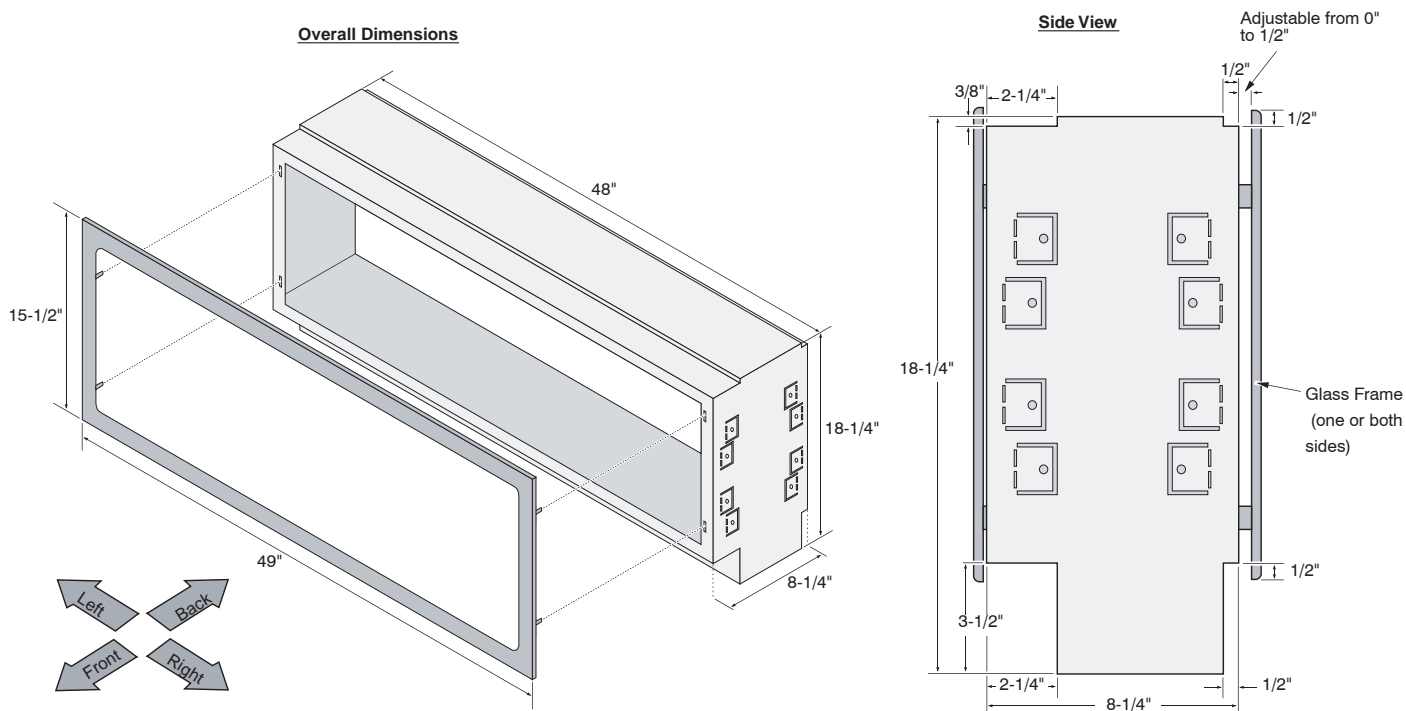
Installation Options

- Residential or Mobile Home
- Flush or Recessed Face
- One-Sided or See-Through

Electrical Specifications

VOLTS	120 VOLTS AC
AMPS	0.4 AMPS
WATTS	44 WATTS
HERTZ	60
BULBS* (4 WATTS EACH)	11
* USE ONLY WITH TRAVIS INDUSTRIES 250-01435 LUMINAIRE (BULB)	

Dimensions



NOTE: The glass frame is purchased separately

NOTE: The fireplace is shipped with cover plates over the front and back of the fireplace.

Figure 1

Packing List

- Wall Switch with Plate
- Bulb Pack
- Bag of Crushed Glass
- Junction Box (with receptacle, romex clamp and cover)
- Optional Remote (receiver and transmitter)

Additional Items Required

- Glass Frame (SKU 95000964) NOTE: Two glass frames are required for double-sided installations.
- Candle Set (Natural 95000961, Stone 95000962, or Frosted 95000963)
- Electrical Equipment (min. 14 gauge, grounded line)

Unpacking the Fireplace

Front and Back Panels

The fireplace is shipped with steel panels on the front and back. We recommend that you keep these panels in place to protect the interior of the fireplace and to help keep the fireplace square during installation.

Mirrored or Black Panel Behind Candles

NOTE: This applies to single-sided fireplaces only.

This fireplace may be installed with a mirrored background or black background behind the candles. Instructions for configuring the mirrors is on page 13. Before securing the fireplace in position, make sure the background is correctly configured - **you can not remove the back panel once the fireplace is in position.**

NOTE: Because the fireplace is two-sided, you may wish to reverse the position of the panels for the desired configuration.

Recommended Installation Procedure

- Frame the opening for the fireplace.
- This fireplace is designed to accommodate 1/2" drywall (see "Nailing Brackets" on page 9 for details). Secure the fireplace to the framing.
- Install the electrical line.
- Install the drywall.
- Install the facing or mantel (if applicable).
- Finalize the installation (see page 13).

Fireplace Placement Requirements

- The fireplace sides and back may contact the framing and building material (insulation, etc.).
- Fireplace must be installed on a level surface capable of supporting the full weight of the fireplace and candles.
- If installed on an exterior wall, the wall must be insulated to meet local requirements (use insulation board if necessary).
- The fireplace glass frame must be removable after installation. We recommend the frame be installed overlapping the facing to better facilitate removal.

Framing Dimensions – One-Sided Configuration

- The following framing dimensions are for one-sided installations. The framing (or insulation) may contact the sides and back of the fireplace.

NOTE: The depth of the enclosure may be altered to accommodate facing depth. The 8" dimension below is based upon ½" drywall in a fully recessed installation.

- The electrical line should be routed through the bottom of the framing, 27-1/2" from the left side of the enclosure (see Figure 2, item "a").

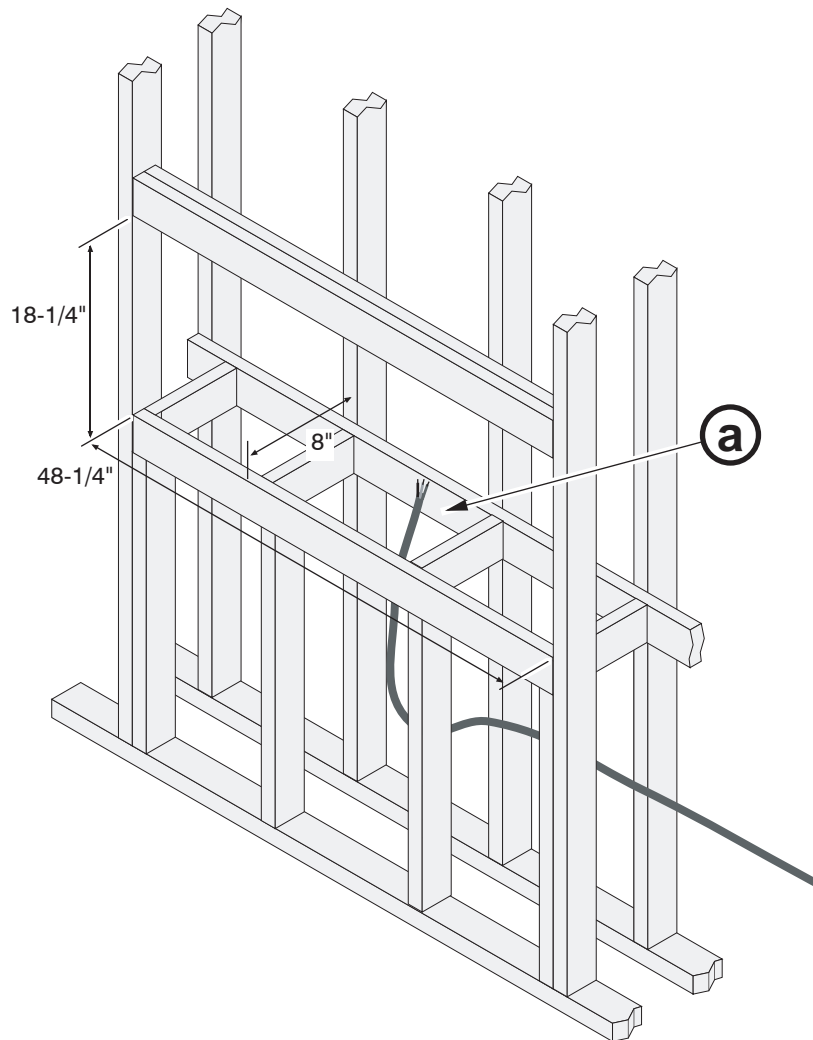


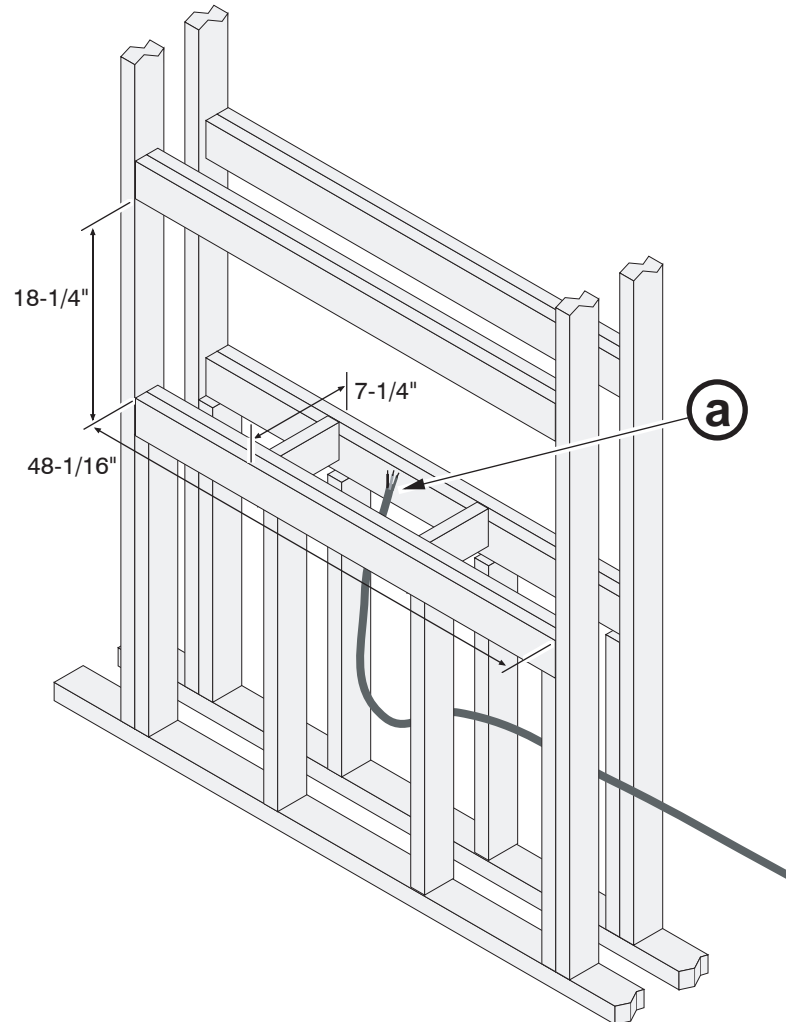
Figure 2

Framing Dimensions – Two Sided Configuration

- The following framing dimensions are for two-sided installations. The framing (or insulation) may contact the sides and back of the fireplace.

NOTE: The depth of the enclosure may be altered to accommodate facing depth. The 7-1/4" dimension below is based upon 1/2" drywall on each side.

- The electrical line should be routed through the bottom of the framing, 27-1/2" from the left side of the enclosure (see Figure 3, item "a").

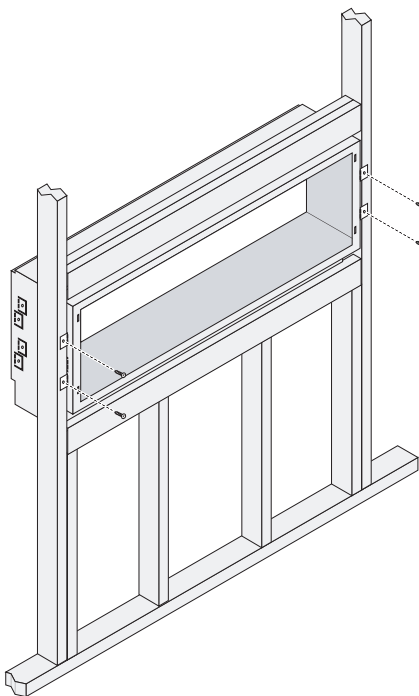
**Figure 3**

Nailing Brackets

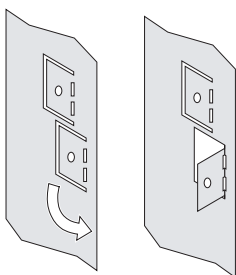
- Nailing brackets are provided on the exterior of the fireplace to secure the fireplace to the framing (see Figure 4). If using 1/2" facing (i.e.: drywall), use the standoff closest to the face of the fireplace (see Figure 4 item "a"). If using 7/8" to 1" facing, use the other standoff (see Figure 4 item "b").

NOTE: Make sure the fireplace is square before securing the nailing brackets. The fireplace face should measure an equal distance corner to corner. Use shims, if necessary, to insure proper alignment.

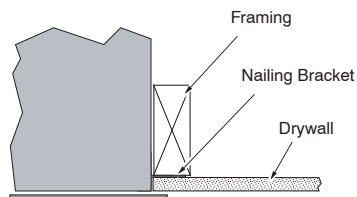
NOTE Keep the front and back panel in place while installing. This will help insure the fireplace is square.



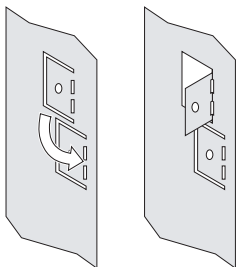
(a) 1/2" Facing



TOP VIEW



(b) 7/8" to 1" Facing



TOP VIEW

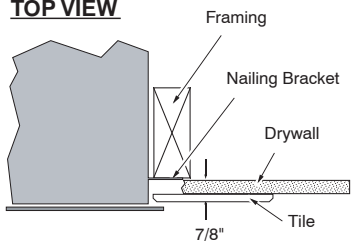


Figure 4

Electrical Connection

- The electrical line to the grounded receptacle inside the fireplace must be installed by a qualified installer and must meet all local codes.
- Make sure the circuit breaker is shut off prior to working on any electrical lines.
- The appliance, when installed, must be electrically grounded in accordance with local codes or, in the absence of local codes, with the National Electrical Code, ANSI/NFPA 70, or the Canadian Electrical Code, CSA C22.1.
- You may wish to install a wall switch to interrupt the circuit leading to the fireplace. A switch and wall plate are included with the fireplace. **Do not install a dimmer** (rheostat) on this fireplace, this will damage the bulbs.

Wiring the Junction Box

Remove and discard the two shipping screws on the candle tray (see Figure 5 item "a"). Lift the tray from the fireplace, making sure to un-plug the socket from the junction box inside the fireplace (Figure 5 item "b"). The power supply is routed into the fireplace from below. You may wish to use the included wall switch (Figure 5 item "c") to control the fireplace. The junction box is shipped below the candle tray. Remove the cover plate, receptacle, and romex connector from the junction box (Figure 5 item "d"). Route the power supply through the romex connector and connect to the receptacle. The romex connector secures the junction box to the base of the fireplace and prevents the wire from dislodging (Figure 5 item "e"). An optional remote control is included (Figure 5 item "f"). If you wish to use the remote, plug the remote into the receptacle and the candle tray into the remote.

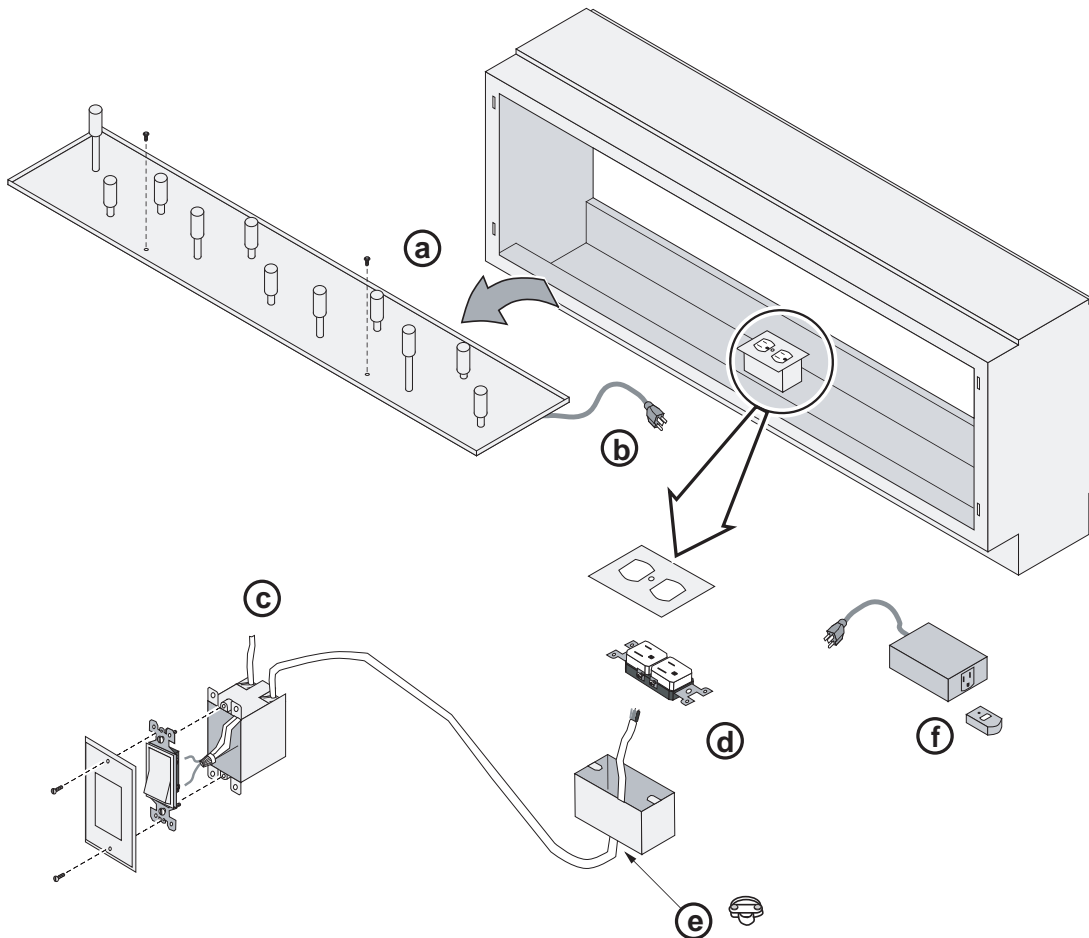
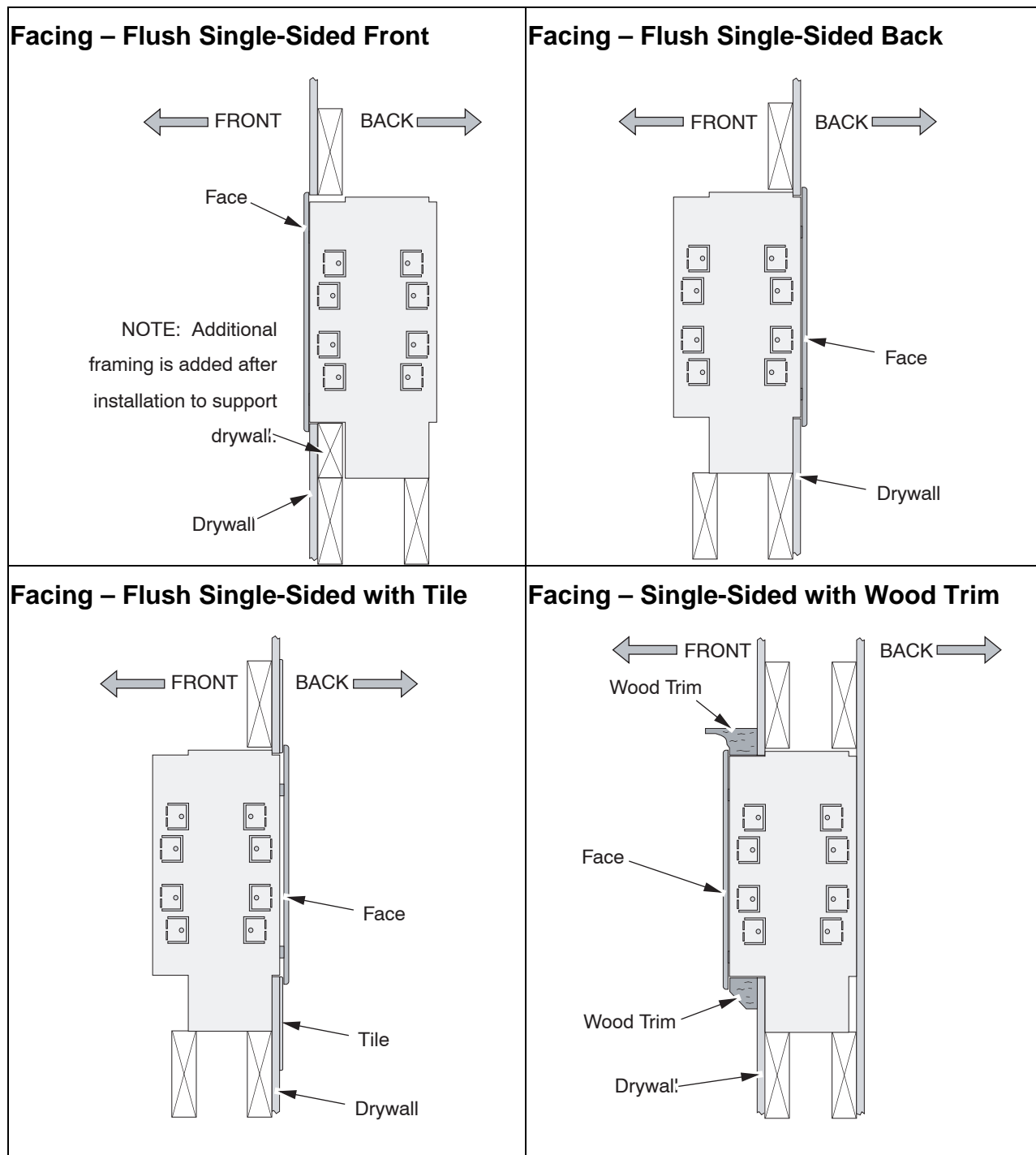


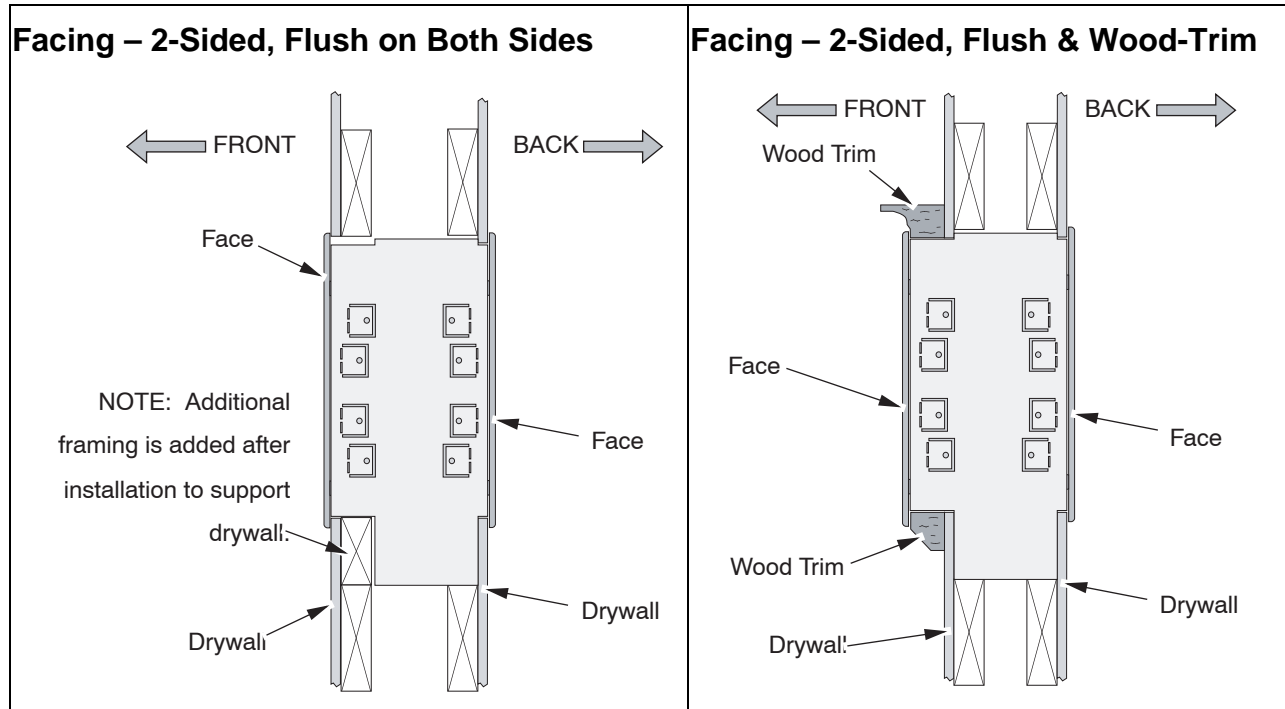
Figure 5

Facing Examples

- This appliance is designed to allow for drywall (or other combustible facing) to contact the sides and top of the fireplace. The facing examples below are included to aid the design and installation of this fireplace.



Facing Examples (continued)



Steps for Finalizing the Installation

Listed below are the steps needed to finalize the installation of the fireplace. Take care when finalizing the fireplace to not allow dust or other debris to enter the firebox. We recommend finalizing the installation after all construction work has been completed.

Mirror Preparation

.WARNING: Clean the mirror only with soap and water. Windex® or other glass cleaners will damage or cloud the acrylic surface of the mirror.

This fireplace is shipped with two side mirrors and an optional back mirror. Before removing the protective coating from the mirrors, make sure the back mirror is in place or removed (see the two options below). Take care when working inside the fireplace to not scratch the mirror surface. The mirrors are acrylic and will scratch easily.

NOTE: Two-sided installations do not use a back plate or mirror.

BLACK PANEL BEHIND CANDLES

If you desire a black pane behind the candles, follow the steps below:

- 1 Remove the front panel and candle tray.
- 2 The rear mirror is held in place with Velcro along the top of the mirror. Gently pull the mirror off the Velcro and remove it from the firebox.
- 3 Cut the tape holding the back panel in place. Lift the back panel up and away from the fireplace.
- 4 Place the front panel on the back of the fireplace. You may wish to tape the panel in place to insure it does not become dislodged.

MIRRORED PANEL BEHIND CANDLES

The back mirror is shipped in place behind the candle tray.

ADDITIONAL INSTALLATION OPTIONS

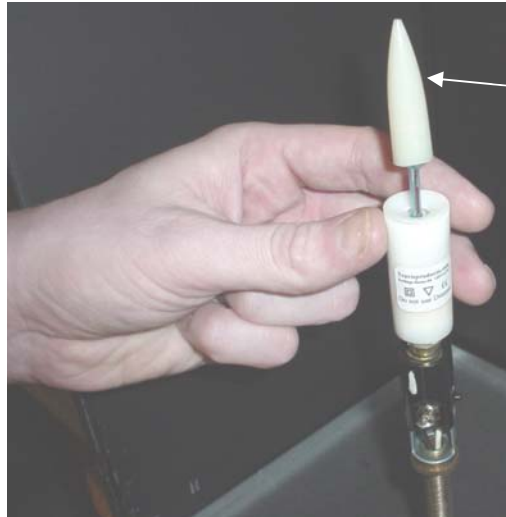
In some cases the fireplace may be installed with the back panel facing the room. In these cases the mirror and/or front and back panels may be reversed to achieve the correct configuration.

Light Bulb Installation

Carefully remove the 11 light bulbs from the packaging and install into the sockets following the directions below.

.WARNING: Do not over-tighten the bulbs when screwing them in. The base of the bulb is fragile and may break if over-tightened. Do not grasp the bulb by the tip. **THE BULBS ARE NOT COVERED BY THE WARRANTY.**

- 1 Carefully remove the bulb from the packaging. Do not hold the bulb by the tip. Grasp it by the center cylinder.
- 2 Carefully screw the bulb into the socket until it bottoms out – it does not need to be tight.
- 3 Repeat this process for the remaining bulbs.



Do **NOT** grasp the bulb by the tip.

NOTE: the insulating cardboard sleeve is not shown in these pictures. Make sure it is in place to protect the wiring and connections.

.HINT: The light bulbs have an electric “flame” that tilts from side to side when in operation, creating a flicker. To maximize the bulb’s visual effect, we recommend that you install the bulb with the “flame” tilting side to side, not front to back. To properly align the bulbs, we recommend the following steps:

1. Gently tilt the bulb side to side to identify how the flame is positioned.
2. Carefully screw the bulb into the socket following the directions above.
3. Loosen the base of the socket holder and swivel it until the bulb is properly aligned. Re-tighten the base to secure.



Cylinder Installation

The cylinders (stone, frosted, or wax) include instructions for installation. Follow these instructions, taking care to not damage the bulbs during installation.

Crushed Glass Installation

After the candles are properly aligned, pour the crushed glass onto the firebox floor. Use glove to carefully even out the glass on the firebox floor, making sure it is evenly distributed.

Glass Frame Removal and Installation

.WARNING: Do not strike or slam the glass.

1. Remove and discard the four side glass brackets on the glass frame (see Figure 6, item "a"). Attach the mounting brackets included with this kit to the back of the glass frame, using the nuts removed earlier - **make sure the brackets are installed with the notch on the lower side of the bracket** (see Figure 6, item "b").

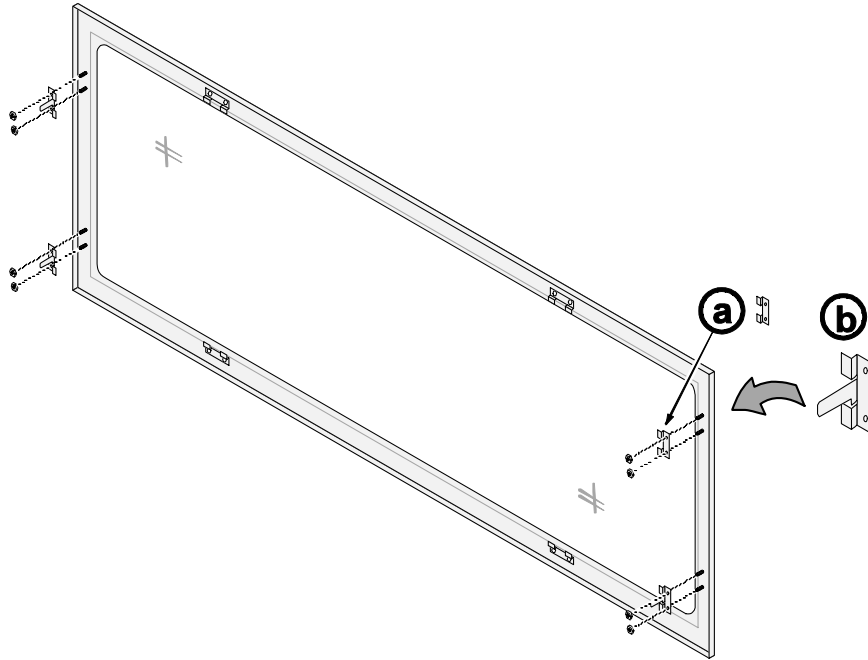


Figure 6

2. Attach the glass frame to the fireplace by inserting the tabs on the mounting brackets into the slots on the fireplace (see Figure 7). Magnets hold the mounting brackets in place.

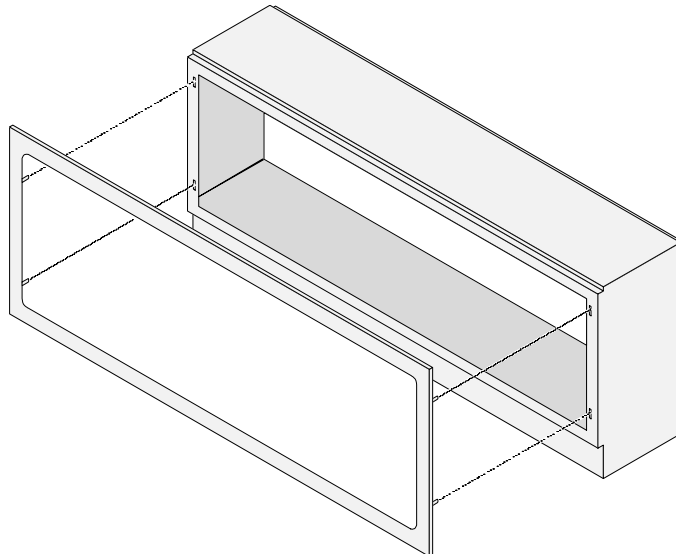


Figure 7

Operation

Use the included wall switch or remote to turn the fireplace on and off.

Maintenance

WARNING: Clean the mirror only with soap and water. Windex® or other glass cleaners will damage or cloud the acrylic surface of the mirror.

The glass frame may be dusted and cleaned with soap and water. Do not scrub the painted surfaces of the glass frame – the metallic paint may blur or show slight scuffing.

Register your TRAVIS INDUSTRIES, INC. Limited 5 Year Warranty online at traviswarranty.com, or complete the enclosed Warranty card and mail it within **ten (10)** days of the appliance purchase date to: TRAVIS INDUSTRIES, INC., 4800 Harbour Pointe Blvd. SW, Mukilteo, WA 98275. TRAVIS INDUSTRIES, INC. warrants this electric appliance (appliance is defined as the equipment manufactured by Travis Industries, Inc.) to be defect-free in material and workmanship to the original purchaser from the date of purchase as follows:

Check with your dealer in advance for any costs to you when arranging a warranty call. Mileage or service charges are not covered by this warranty. This charge can vary from store to store.

Component	90 Days Parts & Labor	Years 1 & 2 Parts & Labor	Years 3 Through 5 Parts Only
Accessories Reflective Surface (i.e. mirror), Candle Sleeves, Cylinders, etc...	✓		
One-Way Freight Allowance One-way freight allowance on pre-authorized repair done at factory is covered.	✓		
Electrical Assembly (within structure): Wiring Harness, Socket, Remote Receiver and Transmitter	✓	✓	
Firebox Assembly Firebox, Glass Attachment Mechanism	✓	✓	✓

EXCLUDED COMPONENTS:

Light Bulbs

CONDITIONS & EXCLUSIONS

- This new electric appliance must be installed by a qualified electrician. It must be installed, operated, and maintained at all times in accordance with the instructions in the Owner's Manual. Any alteration, willful abuse, accident, neglect, or misuse of the product shall nullify this warranty.
- This warranty is nontransferable, and is made to the ORIGINAL purchaser, provided that the purchase was made through an authorized TRAVIS dealer.
- Discoloration and some minor expansion, contraction, or movement of certain parts and resulting noise, is normal and not a defect and, therefore, not covered under warranty. The installer must ensure the appliance is operating per the instructions at the time of installation.
- Travis Industries will not be responsible for inadequate performance caused by environmental conditions such as mechanical systems such as furnaces, fans, clothes dryers, etc.
- This Warranty is void if:
 - The unit has been operated in atmospheres contaminated by chlorine, fluorine or other damaging chemicals.
 - The unit is subject to submersion in water or prolonged periods of dampness or condensation.
 - Any damage to the unit due to water, or weather damage.
- Exclusions to this 5 Year Warranty include: injury, loss of use, damage, failure to function due to accident, negligence, misuse, improper installation, alteration or adjustment of the manufacturer's settings of components, lack of proper and regular maintenance, damage incurred while the appliance is in transit, alteration, or act of God.
- This 5 Year warranty excludes damage caused by normal wear and tear, such as paint discoloration or chipping, worn or torn wiring, etc. Also excluded is damage to the unit caused by abuse, improper installation, modification of the unit.
- Damage to the reflective surfaces (i.e. mirror) caused by fingerprints, scratches, melted items, or other external sources from the use of cleaners other than mild soap and water is not covered in this warranty.
- TRAVIS INDUSTRIES, INC. is free of liability for any damages caused by the appliance, as well as inconvenience expenses and materials. Incidental or consequential damages are not covered by this warranty. In some states, the exclusion of incidental or consequential damage may not apply.
- This warranty does not cover any loss or damage incurred by the use or removal of any component or apparatus to or from the electric appliance without the express written permission of TRAVIS INDUSTRIES, INC. and bearing a TRAVIS INDUSTRIES, INC. label of approval.
- Any statement or representation of TRAVIS products and their performance contained in TRAVIS advertising, packaging literature, or printed material is not part of this 5 year warranty.
- This warranty is automatically voided if the appliance's serial number has been removed or altered in any way. If the appliance is used for commercial purposes, it is excluded from this warranty.
- No dealer, distributor, or similar person has the authority to represent or warrant TRAVIS products beyond the terms contained within this warranty. TRAVIS INDUSTRIES, INC. assumes no liability for such warranties or representations.
- Travis Industries will not cover the cost of the removal or re-installation of hearths, facing, mantels, or other components.
- If for any reason any section of this warranty is declared invalid, the balance of the warranty remains in effect and all other clauses shall remain in effect.
- THIS 5 YEAR WARRANTY IS THE ONLY WARRANTY SUPPLIED BY TRAVIS INDUSTRIES, INC., THE MANUFACTURER OF THE APPLIANCE. ALL OTHER WARRANTIES, WHETHER EXPRESS OR IMPLIED, ARE HEREBY EXPRESSLY DISCLAIMED AND PURCHASER'S RECOURSE IS EXPRESSLY LIMITED TO THE WARRANTIES SET FORTH HEREIN.**

IF WARRANTY SERVICE IS NEEDED:

- If you discover a problem that you believe is covered by this warranty, you **MUST REPORT** it to your TRAVIS dealer **WITHIN 30 DAYS**, giving them proof of purchase, the purchase date, and the model name and serial number.
- Travis Industries has the option of either repairing or replacing the defective component.
- If your dealer is unable to repair your appliance's defect, he may process a warranty claim through TRAVIS INDUSTRIES, INC., including the name of the dealership where you purchased the appliance, a copy of your receipt showing the date of the appliance's purchase, and the serial number on your appliance. At that time, you may be asked to ship your appliance, freight charges prepaid, to TRAVIS INDUSTRIES, INC. TRAVIS INDUSTRIES, INC., at its option, will repair or replace, free of charge, your TRAVIS appliance if it is found to be defective in material or workmanship within the time frame stated within this 5 year warranty. TRAVIS INDUSTRIES, INC. will return your appliance, freight charges (90 days) prepaid by TRAVIS INDUSTRIES, INC., to your regional distributor, or dealership.
- Check with your dealer in advance for any costs to you when arranging a warranty call. Mileage or service charges are not covered by this warranty. This charge can vary from store to store.

Index

Additional Items Required	6
Crushed Glass Installation	14
Cylinder Installation	14
Dimensions	6
Electrical Connection	10
Electrical Specifications	6
Facing Examples	11
Fireplace Placement Requirements	6
Framing Dimensions – One-Sided Configuration	7
Framing Dimensions – Two Sided Configuration	8
Front and Back Panels	6
Glass Frame Removal and Installation	15
Installation Options	6
Light Bulb Installation	14
Listing Details	2
Maintenance	16
Mirror Preparation	13
Mirrored or Black Panel Behind Candles	6
Nailing Brackets	9
Operation	16
Overview	2
Packing List	6
Recommended Installation Procedure	6
Safety Precautions	4
Steps for Finalizing the Installation	13
Unpacking the Fireplace	6
Warranty	17
Wiring the Junction Box	10