

Xtreme 6020 Fireplace

Built-In Direct-Vent Power-Vent Fireplace

- Natural Gas - 98500325
- LP (Propane) – 98500326

This appliance is only for use with the type(s) of gas indicated on the rating plate.

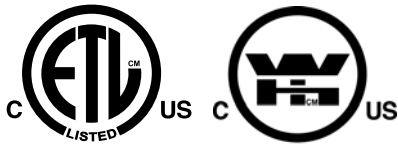
WARNING: If the information in these instructions is not followed exactly, a fire or explosion may result causing property damage, personal injury or loss of life.

- Do not store or use gasoline or other flammable vapors and liquids in the vicinity of this or any other appliance.

WHAT TO DO IF YOU SMELL GAS

- Do not try to light any appliance.
- Do not touch any electrical switch; do not use any phone in your building.
- Immediately call gas supplier from a neighbor's phone. Follow the gas supplier's instructions.
- If you cannot reach your gas supplier, call the fire department.
- Installation and service must be performed by a qualified installer, service agency or the gas supplier.

Tested and Listed by



Intertek

Intertek

Report # 3183426

! WARNING



**HOT GLASS WILL
CAUSE BURNS.**

**DO NOT TOUCH GLASS
UNTIL COOLED.**

**NEVER ALLOW CHILDREN
TO TOUCH GLASS.**

Installation Manual

Installer: After installation give this manual to the home-owner and explain operation of this fireplace.



TRAVIS INDUSTRIES
HOUSE OF FIRE

www.travisproducts.com

4800 Harbour Pointe Blvd. SW
Mukilteo, WA 98275

© Copyright 2010, T.I. \$10.00 100-01246_000
4091229

Overview

This manual details the installation requirements for the Xtreme 6020 fireplace. For operating and maintenance instructions, refer to the Owner's Manual (part # 100-01247).

Listing Details

This appliance was listed by Intertek (Warnock Hersey) to ANSI Z21.50b-2009 / CSA 2.22b-2009 - report # 3183426 The listing label is chained to the appliance near the glass frame. A copy is shown to the right.

IAS (ICBO) Approval

This appliance was listed by Intertek (Warnock Hersey) - IAS # TL271.

Massachusetts Approval

This manual has been submitted to the Massachusetts Board of State Examiners of Plumbers and Gas Fitters

National Fireplace Institute



We suggest that our gas hearth products be installed and serviced by professionals who are certified in the U.S. by the National Fireplace Institute® (NFI) as NFI Gas Specialists.

www.nficertified.org

Fireplace to Adjacent Wall 3" (76 mm) Wood Floor Beneath Fireplace... 0" (0 mm) Back to enclosure 0" (0 mm)	Top to enclosure 37.5" (953 mm) Sides to enclosure 3" (76 mm) Base of Fireplace to a 12" Mantel (see manual for other mantel depths) 35.75" (908 mm)
---	--



Intertek
Report No. 3183426

Xtreme 6020
Vented Gas Fireplace

L.P. N.G.

Input Rate on "HI" (BTU/HR) 90,000 Input Rate on "LO" (BTU/HR) 36,000	Minimum Inlet Pressure (inches W.C.) 11" Maximum Inlet Pressure (inches W.C.) 13" Manifold Pressure on "HI" (inches W.C.) 10" Manifold Pressure on "LO" (inches W.C.) 7"
--	---

For natural gas when equipped with the following drill size orifice: DMS 25 Center - 46 Sides
 For propane when equipped with the following drill size orifice: DMS 46 Center - 54 Sides
 This appliance is equipped for use only at altitudes 0-2,000 feet (0-610m) in the USA. In Canada, 0-4500 feet (0-1370m).
 For altitudes above 2,000 feet, the vent configuration, orifice, or combination of both may need to be changed.
 See owner's manual for information on making these changes.
 Electrical Rating: 115v, 5.7 Amps, 60 Hz

Manufacture 2010 Jan. Apr. Jul. Oct.
 Date: 2011 Feb. May Aug. Nov.
 2012 Mar. Jun. Sep. Dec.

Approved by Omni for commercial installation.



Tested to: ANSI Z21.50b-2009/CSA 2.22b-2009, Vented Gas Fireplace.
 This appliance must be installed in accordance with local codes, if any, if none, follow the National Fuel Gas Code, ANSI Z223.1/NFPA 54, or Natural Gas and Propane Installation Codes, CSA B149.1.
 This vented gas fireplace is not for use with air filters.
 Keep burner and control compartment clean. See installation and operating instructions accompanying appliance.
 This appliance must be properly connected to a venting system in accordance with the manufacturer's installation instructions. See owner's manual for approved brands of venting.
WARNING: Improper installation, adjustment, alteration, service or maintenance can cause injury or property damage. Refer to the owner's information manual provided with this appliance. For assistance or additional information consult a qualified installer, service agency or the gas supplier.

VENTED GAS FIREPLACE - NOT FOR USE WITH SOLID FUEL

CAUTION: Hot while in operation. Do Not Touch. Severe burns may result. Keep children, clothing, furniture, gasoline and other liquids having flammable vapors away. Do not operate this appliance with glass removed, cracked or broken. Replacement of the panel(s) should be done by a licensed or qualified service person.

Overview	2
Listing Details.....	2
Installation Options	6
BTU Specifications.....	6
Dimensions	6
Packing List.....	7
Set and Vent Hardware	7
Finalization Hardware (install after fireplace is in place – you may hold at dealership)	7
Additional Equipment	7
Recommended Installation Procedure	8
Lifting Handle Installation	9
Massachusetts Requirements.....	10
Requirements for the Commonwealth of Massachusetts	10
MANUFACTURER REQUIREMENTS	10
Fireplace Placement Requirements	11
Clearances	11
Raised Fireplaces.....	11
Min. Framing Dims. – Inlet Through Rear Wall or Sides	12
Min. Framing Dims. – Inlet from Behind Fireplace.....	13
Floor Mounting Brackets	14
Metal Framing	15
Gas Line Requirements.....	16
Fuel	16
Gas Line Connection.....	16
Gas Inlet Pressure.....	16
Gas Line Location	16
Mounting the Junction Box (Switch and Rheostat).....	18
Electrical Connection	19
Wiring the Exhaust Blower Rheostat.....	20
Wiring the Exhaust Blower	21
Wiring the Exhaust Blower (continued)	22
Air Inlet Requirements	23
Air Inlet Installation.....	24
Air Inlet Installation (continued).....	25
Vent Requirements	26
Vent Clearances.....	26
Vent Firestop	26
Altitude Considerations	26
Approved Vent.....	27
Vent Installation.....	27
Approved Vent Configurations	28
Maximum Vent Run and Rise.....	28
Exhaust Baffle	29
Rheostat Adjustment	30
Termination Requirements	31
Exhaust Box Mounting	32
Hearth Requirements.....	34
Facing Requirements.....	35
Fiber Board Installation	36
Drywall Installation.....	38
Mantel Requirements.....	41
Steps for Finalizing the Installation	42
Air Shutter Adjustment	42
Crushed Glass Installation	43
Glass Frame Removal and Installation	44
Glass Trim	45
Wiring Diagram	46

Safety Warnings:

- Failure to follow all of the requirements may result in property damage, bodily injury, or even death.
- This unit must be installed by a qualified installer to prevent the possibility of an explosion.
- This appliance must be installed in accordance with all local codes, if any; if not, in U.S.A. follow ANSI Z223.1 and NFPA 54(88).
- All exhaust gases must be vented outside the structure of the living-area. Combustion air is drawn from outside the living-area structure. The venting must not be connected to a chimney flue serving a separate solid-fuel burning appliance.
- Notify your insurance company before hooking up this fireplace.
- The fireplace should be inspected before use and at least annually by a qualified service person. More frequent cleaning may be required due to excessive lint from carpeting, bedding material, etc.
- The instructions in this manual must be strictly adhered to. Do not use makeshift methods or compromise in the installation. Improper installation will void the warranty and safety listing.
- This fireplace is approved for use with natural gas (NG) or propane (LP). Burning the incorrect fuel will void the warranty and safety listing and may cause an extreme safety hazard. Direct questions about the type of fuel used to your dealer.
- Contact your local building officials to obtain a permit and information on any installation restrictions or inspection requirements in your area.
- If the flame becomes sooty, dark orange in color, or extremely tall, do not operate the fireplace. Call your dealer and arrange for proper servicing.
- It is imperative that control compartments, screens, or circulating air passageways of the fireplace be kept clean and free of obstructions. These areas provide the air necessary for safe operation.
- Do not operate the fireplace if it is not operating properly in any fashion or if you are uncertain. Call your dealer for a full explanation of your fireplace and what to expect.
- Do not store or use gasoline or other flammable liquids in the vicinity of this fireplace.
- Do not operate if any portion of the fireplace was submerged in water or if any corrosion occurs. Immediately call a qualified service technician to inspect the appliance and to replace any part of the control system and any gas control which has been under water.
- Do not place clothing or other flammable items on or near the fireplace. Because this fireplace can be controlled by a thermostat there is a possibility of the fireplace turning on and igniting any items placed on or near it.
- Light the fireplace using the built-in igniter. Do not use matches or any other external device to light your fireplace.
- Never remove, replace, modify or substitute any part of the fireplace unless instructions are given in this manual. All other work must be done by a trained technician. Don't modify or replace orifices.
- The viewing glass should be opened only for conducting service.
- Any safety screen or guard removed for servicing must be replaced prior to operating the fireplace.

Safety Warnings (continued):

- Allow the fireplace to cool before carrying out any maintenance or cleaning.
- Operate the fireplace according to the instructions included in this manual.
- If the main burners do not start correctly turn the gas off and call your dealer for service.
- This unit is not for use with solid fuel.
- Do not place anything inside the firebox (except the optional artwork).
- Do not throw this manual away. This manual has important operating and maintenance instructions that you will need at a later time. Always follow the instructions in this manual.
- Children and adults should be alerted to the hazards of high surface temperature and should stay away to avoid burns or clothing ignition. Do not touch the hot surfaces of the fireplace. Educate all children of the danger of a high-temperature fireplace. Young children should be supervised when they are in the same room as the fireplace.
- Toddlers, young children and others may be susceptible to accidental contact burns. A physical barrier is recommended if there are at risk individuals in the house. To restrict access to a fireplace or stove, install an adjustable safety gate to keep toddlers, young children and other at risk individuals out of the room and away from hot surfaces.
- Due to the high temperature, the fireplace should be located out of traffic and away from furniture and draperies.
- Instruct everyone in the house how to shut gas off to the appliance and at the gas main shutoff valve. The gas main shutoff valve is usually next to the gas meter or propane tank and requires a wrench to shut off.
- **Travis Industries, Inc. grants no warranty, implied or stated, for the installation or maintenance of your fireplace, and assumes no responsibility of any consequential damage(s).**

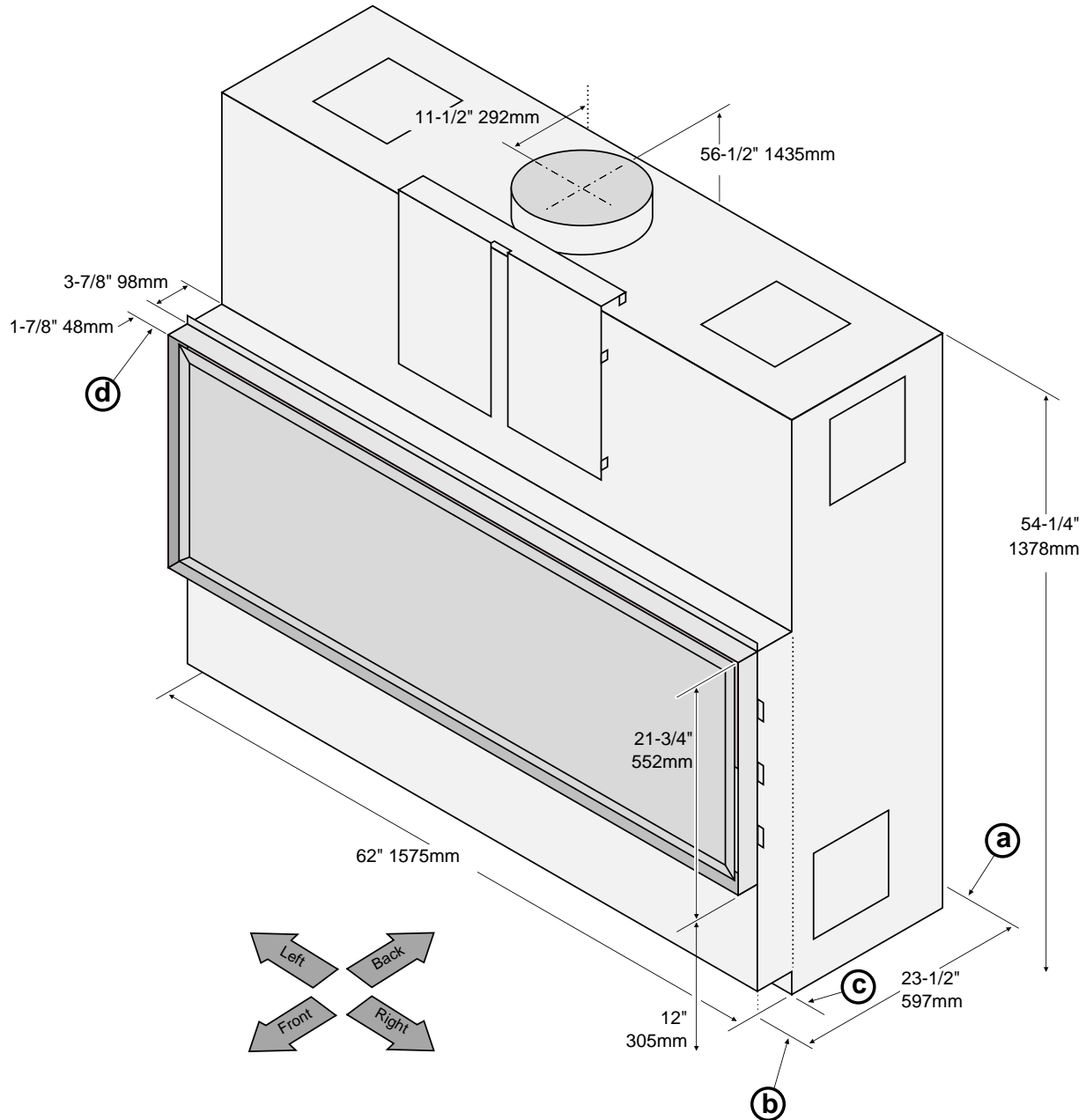
Installation Options

- Residential or Commercial Installations
- Horizontal or Vertical Vent
- Raised or Floor Placement
- Bedroom Approved
- Internal or External Chase

BTU Specifications

Maximum BTU Input Per Hour	Natural Gas	Propane
	90,000	90,000

Dimensions



- (a) Measurement to Cover Box (back edge)
- (b) Front Edge (front edge of framing)
- (c) Framing Set-Back
- (d) Facing Guide (protrudes to the front of drywall)

Packing List

Set and Vent Hardware

ITEM	Location	Notes
Glass Latch Tool	Attached to Front of Fireplace	
Exhaust Box Assembly	Top of Fireplace	Replace screws after removing exhaust box
2 Lifting Plate Assemblies	Attached to pallet	Requires Lifting Handles 98500711
Intake Damper (2)	Box Labeled "HOYME"	Includes sliding connector
Fiber Board	Attached to Back of Fireplace	(2) Top, (2) Side, (2) Ledge
Metal Framing Kit	Shrink wrapped and attached to pallet framing	Upper and Lower Track, (5) Vertical Studs, (2) Mounting Plates
Firestop	Set and Vent Box	Firestop with 2 side shields
Intake Damper Wall Mount (2)	Set and Vent Box	
Intake Starter Collar	Set and Vent Box	(2) 6" Diameter
Flex Duct Connector	Set and Vent Box	(2) 6" Diameter
Flex Duct	Set and Vent Box	(2) 20' Lengths
Intake Wiring Harness	Set and Vent Box	(2) 25' Lengths – 2 wires each
Junction Box with Rheostat and Wall Plate	Set and Vent Box	
Remote with wall mount and batteries	Set and Vent Box	

Finalization Hardware (install after fireplace is in place – you may hold at dealership)

ITEM	Location	Notes
Crushed Glass	Finalization Hardware Box	(8) 2.5 lb. bags
Operating Manual	Finalization Hardware Box	
Glass Latch Tool	Finalization Hardware Box	
Glass Trim	Foam-Wrapped Above Tile Stop	2 Sides, Top, Bottom – 10 magnets

Additional Equipment

ITEM	REQUIRED	WHERE SHIPPED	SKU
Liner	Yes	Shipped pre-installed inside fireplace	Black Painted 94700862 Black Enamel 94700863 Stainless Steel 94700864
Exhaust Damper Wiring Harness	Yes	Shipped with fireplace	50 Foot 94700887 150 Foot 94700888 250 Foot 94700889
Artwork (Logs)	No	Shipped with fireplace if ordered at same time	Bamboo 94700880 Birch 94700881 Driftwood 94700882
Studio Trim	No	Shipped with fireplace if ordered at same time	95400915
Power Heat Duct	No	Shipped with fireplace if ordered at same time	98500769
Lifting Handles	Yes	Shipped with fireplace if ordered at same time	98500711
5/8" Drywall Spacer	Required for 5/8" Drywall	Shipped with fireplace if requested at same time	210-16972

Recommended Installation Procedure

- Frame the opening for the fireplace. Make sure to allow for vent and inlet duct installation.
- Place the fireplace in position and secure to floor.
- Install the exhaust vent, air inlet, gas line, electrical line, and rheostat box (power heat ducts if applicable).
- Test operation of the fireplace before attaching fiber-board or drywall. This allows the installer to verify all connections and diagnose issues with the fireplace exterior accessible.
- Install included non-combustible framing above fireplace.
- Attach included fiber-board to fireplace and framing. Install 2" fiber-board strip above facing guide.
- Install the drywall and/or facing.
- Install the hearth (if applicable).
- Install the facing (if applicable).
- Install the mantel (if applicable).
- Finalize the installation (see page 42).

Lifting Handle Installation

The Travis Industries lifting handles (sku 98500711) may be attached to the fireplace to aid in placement. Two lifting plates, included with the fireplace, allow for the handles to attach. Follow the directions below to install.

Remove the floor mounting brackets.



Attach the lifting handles to the lifting plates. Remove one of the lifting plate tabs. This will allow the tab to insert into the stand-offs on the bottom of the fireplace.



Slide the lifting plate tab attached to the handle into the standoff below the fireplace. Then re-attach the lifting tab that was removed earlier, making sure it inserts into the standoff. This will secure the lifting plate to the fireplace.



Take care when moving the fireplace to not damage any structures or your back.

After positioning the fireplace remove the lifting plates and re-install the floor mounting brackets.



Massachusetts Requirements

NOTE: The following requirements reference various Massachusetts and national codes not contained in this document.

Requirements for the Commonwealth of Massachusetts

For all side wall horizontally vented gas fueled equipment installed in every dwelling, building or structure used in whole or in part for residential purposes, including those owned or operated by the Commonwealth and where the side wall exhaust vent termination is less than seven (7) feet above finished grade in the area of the venting, including but not limited to decks and porches, the following requirements shall be satisfied:

Installation of Carbon Monoxide Detectors

At the time of installation of the side wall horizontal vented gas fueled equipment, the installing plumber or gasfitter shall observe that a hard wired carbon monoxide detector with an alarm and battery back-up is installed on the floor level where the gas equipment is to be installed. In addition, the installing plumber or gasfitter shall observe that a battery operated or hard wired carbon monoxide detector with an alarm is installed on each additional level of the dwelling, building or structure served by the side wall horizontal vented gas fueled equipment. It shall be the responsibility of the property owner to secure the services of qualified licensed professionals for the installation of hard wired carbon monoxide detectors.

In the event that the side wall horizontally vented gas fueled equipment is installed in a crawl space or an attic, the hard wired carbon monoxide detector with alarm and battery back-up may be installed on the next adjacent floor level.

In the event that the requirements of this subdivision can not be met at the time of completion of installation, the owner shall have a period of thirty (30) days to comply with the above requirements; provided, however, that during said thirty (30) day period, a battery operated carbon monoxide detector with an alarm shall be installed.

Approved Carbon Monoxide Detectors

Each carbon monoxide detector as required in accordance with the above provisions shall comply with NFPA 720 and be ANSI/UL 2034 listed and IAS certified.

Signage

A metal or plastic identification plate shall be permanently mounted to the exterior of the building at a minimum height of eight (8) feet above grade directly in line with the exhaust vent terminal for the horizontally vented gas fueled heating appliance or equipment. The sign shall read, in print size no less than one-half (1/2) inch in size, "GAS VENT DIRECTLY BELOW. KEEP CLEAR OF ALL OBSTRUCTIONS".

Inspection

The state or local gas inspector of the side wall horizontally vented gas fueled equipment shall not approve the installation unless, upon inspection, the inspector observes carbon monoxide detectors and signage installed in accordance with the provisions of 248 CMR 5.08(2)(a)1 through 4.

Exemptions

The following equipment is exempt from 248 CMR 5.08(2)(a)1 through 4:

- The equipment listed in Chapter 10 entitled "Equipment Not Required To Be Vented" in the most current edition of NFPA 54 as adopted by the Board; and
- Product Approved side wall horizontally vented gas fueled equipment installed in a room or structure separate from the dwelling, building or structure used in whole or in part for residential purposes.

MANUFACTURER REQUIREMENTS**Gas Equipment Venting System Provided**

When the manufacturer of Product Approved side wall horizontally vented gas equipment provides a venting system design or venting system components with the equipment, the instructions provided by the manufacturer for installation of the equipment and the venting system shall include:

- Detailed instructions for the installation of the venting system design or the venting system components; and
- A complete parts list for the venting system design or venting system.

Gas Equipment Venting System NOT Provided

When the manufacturer of a Product Approved side wall horizontally vented gas fueled equipment does not provide the parts for venting the flue gases, but identifies "special venting systems", the following requirements shall be satisfied by the manufacturer:

- The referenced "special venting system" instructions shall be included with the appliance or equipment installation instructions; and
- The "special venting systems" shall be Product Approved by the Board, and the instructions for that system shall include a parts list and detailed installation instructions.

A copy of all installation instructions for all Product Approved side wall horizontally vented gas fueled equipment, all venting instructions, all parts lists for venting instructions, and/or all venting design instructions shall remain with the appliance or equipment at the completion of the installation.

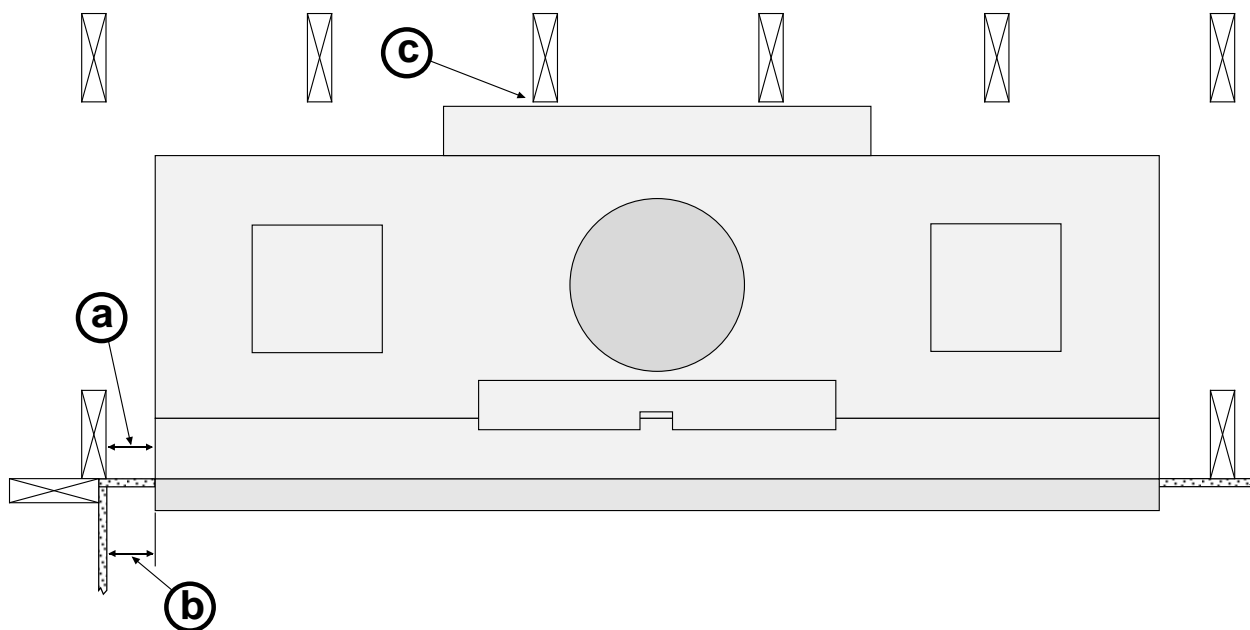
See Gas Connection section for additional Commonwealth of Massachusetts requirements.

Fireplace Placement Requirements

- Fireplace must be installed on a level surface capable of supporting the fireplace and vent
- Fireplace must be placed directly on wood or non-combustible surface (not on linoleum or carpet)
- Fireplace should be located out of traffic and away from furniture and draperies.
- Fireplace must be placed so the gaps below and above the glass frame do not become blocked.
- Fireplace may be placed in a bedroom.

Clearances

- Clearance to Side of Fireplace: 3" (76mm). Do not place insulation in this space.
- When installed, walls in front of the fireplace must be a minimum 3" (76mm) to the side of the fireplace.
- Clearance to Cover Box (Rear Edge): 0" (0mm)

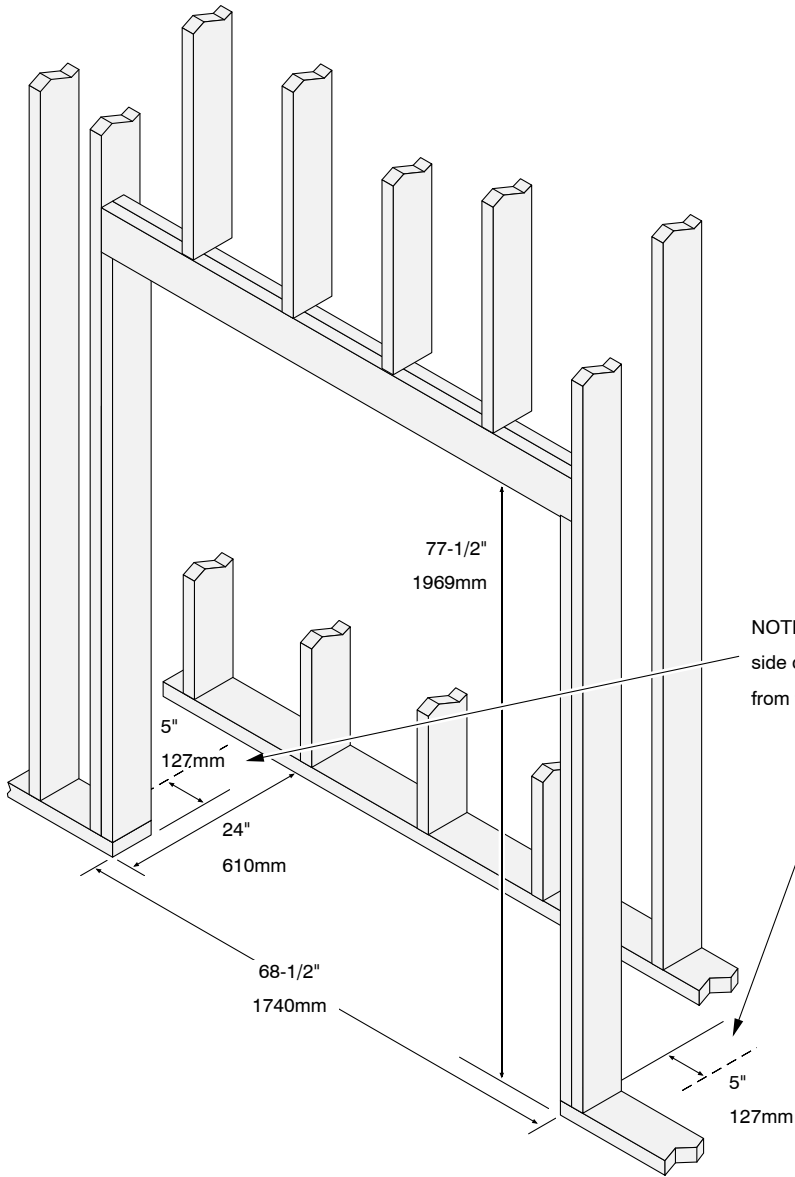


Raised Fireplaces

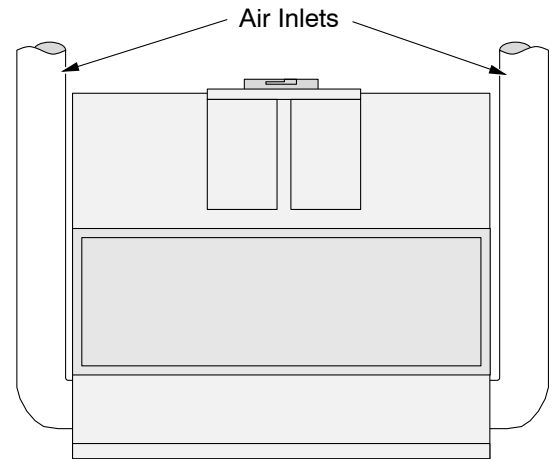
- The fireplace (and hearth, if desired) may be placed on a platform designed to support the fireplace and vent.

HINT: We typically have displayed this fireplace on a 24" to 36" raised platform. Keep in mind that the firebox opening (base of the flames) is 12" above the base. Desired position may vary depending upon room size, typical viewing angle, and aesthetic intent.

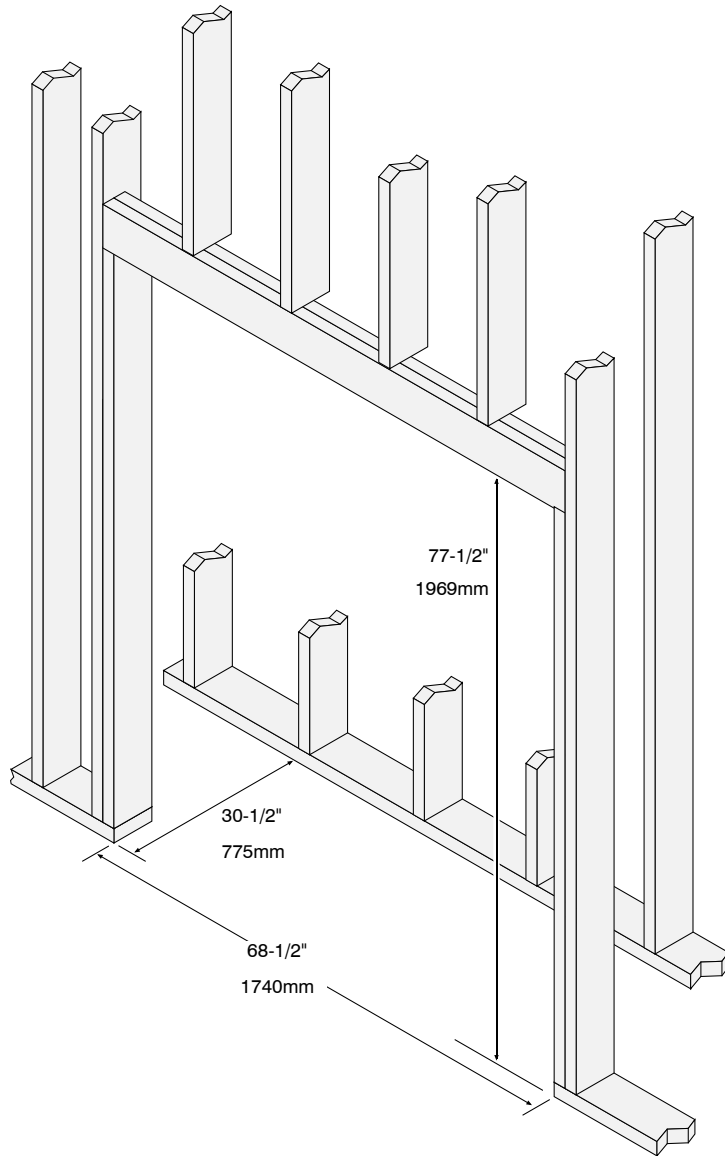
Min. Framing Dims. – Air Inlet Through Rear Wall or Sides



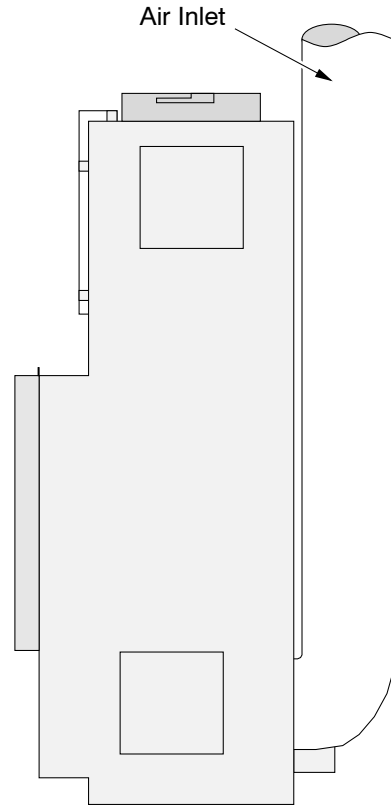
NOTE: An additional 5" (127mm) is required to each side of the framing if the air inlets are routed vertically from the sides (see "Air Inlet Requirements" for details).



Min. Framing Dims. – Air Inlet from Behind Fireplace

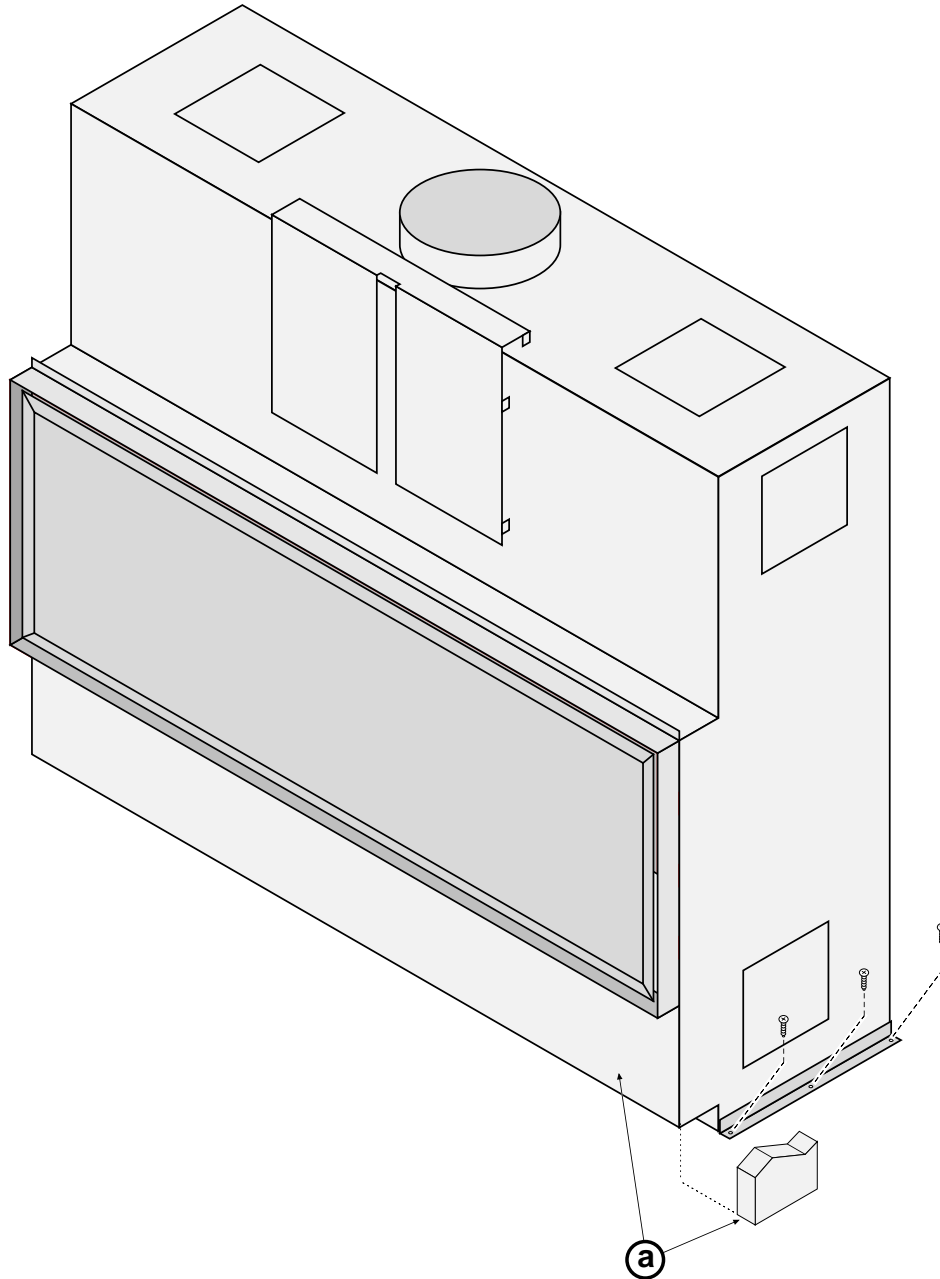


Side View of Air Inlet From Behind Fireplace



Floor Mounting Brackets

The fireplace has floor mounting brackets on both sides. Secure the fireplace to the flooring with three screws..

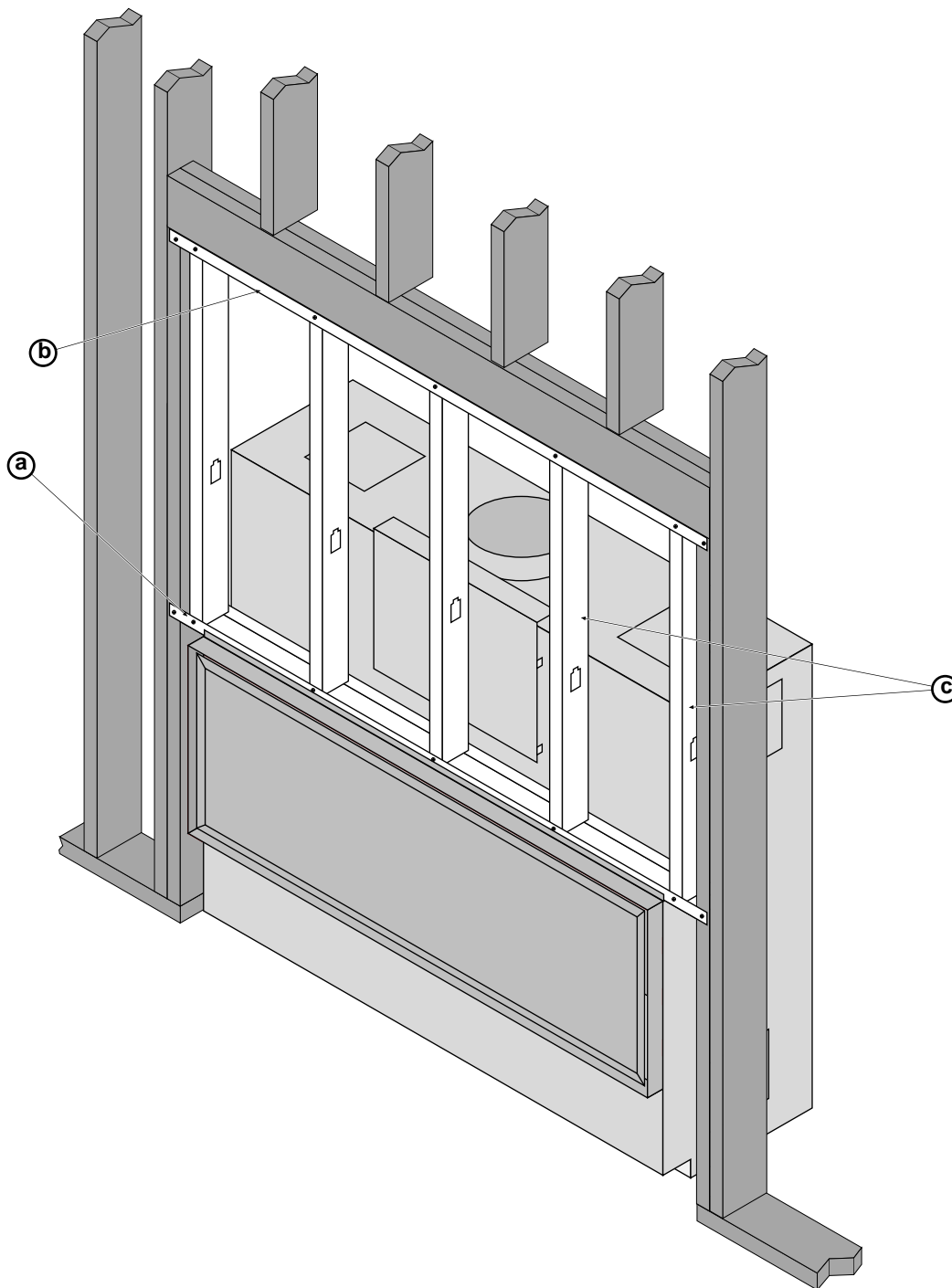


(a) NOTE: Make sure the face of the fireplace is flush with the front of the framing.

Metal Framing

HINT: You may wish to install the metal framing after installing the vent and air inlet. This will allow for easier access to the area above the fireplace.

The fireplace includes two (2) steel channels (see “a” and “b” below) and five (5) metal studs (see “c” below). These non-combustible framing members are required in front of the fireplace to support the facing. Secure the bottom channel (“a” – the thicker, 16 gauge channel) to the fireplace using sheet metal screws (maximum screw length is 1”). Secure the top channel (“b”) to the framing. Then secure the metal studs to the channels (the metal channel has pre-drilled holes for securing the studs).



Gas Line Requirements

MASSACHUSETTS INSTALLATIONS - **WARNING:**

THIS PRODUCT MUST BE INSTALLED BY A LICENSED PLUMBER OR GAS FITTER WHEN INSTALLED WITHIN THE COMMONWEALTH OF MASSACHUSETTS.

OTHER MASSACHUSETTS CODE REQUIREMENTS:

- Flexible connector must not be longer than 36 inches.
 - Shutoff valve must be a "T" handle gas cock.
 - Only direct vent sealed combustion products are approved for bedrooms or bathrooms.
 - Fireplace dampers must be removed or welded in the open position prior to the installation of a fireplace insert or gas log.
 - A carbon monoxide (CO) detector is required in the same room as the appliance.
- The gas line must be installed in accordance with all local codes, if any; if not, follow ANSI 223.1 and the requirements listed below.
 - The fireplace and gas control valve must be disconnected from the gas supply piping during any pressure testing of that system at test pressures in excess of 1/2 psig (3.5 kPA). For pressures under 1/2 psig (3.5 kPA), isolate the gas supply piping by closing the manual shutoff valve.
 - Leak test all gas line joints and the gas control valve prior to and after starting the fireplace.
 - The fireplace has an internal shutoff valve. An additional shutoff valve is required. It must be accessible and within 6' of the fireplace.

Fuel

- This fireplace is designed either for natural gas or for propane (but not for both).

Gas Line Connection

- Installation must be performed by a qualified installer, service agency or the gas supplier (In Massachusetts a licensed plumber/gasfitter).

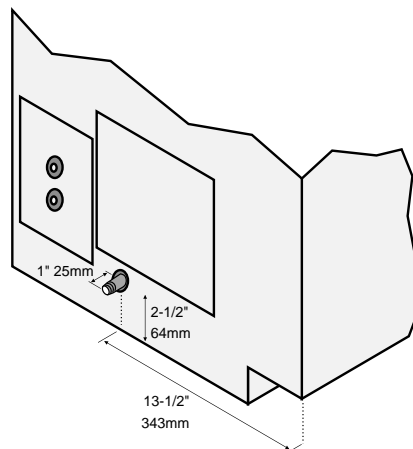
Gas Inlet Pressure

	Maximum Input Pressure	Minimum Input Pressure
Natural Gas	7" W.C. (1.74 kPA)	5.5" W.C. (1.37 kPA)
Propane	13" W.C. (3.23 kPA)	11" W.C. (2.74 kPA)

- If the pressure is not sufficient, make sure the piping used is large enough, the supply regulator is adequately adjusted, and the total gas load for the residence does not exceed the amount supplied.
- The supply regulator (the regulator that attaches directly to the residence inlet or to the propane tank) should supply gas at the input pressure listed above. Contact the local gas supplier if the regulator is at an improper pressure.

Gas Line Location

The gas line is located on the left side of the appliance in the location shown below. The gas inlet accepts a 1/2" FPT.



Internal Shut Off Valve Access

The internal shutoff valve may be accessed without removing the burner. See the instructions below.

NOTE: The shut off valve must be closed while pressure testing the gas line leading to the fireplace.

NOTE: Make sure the fireplace is disabled prior to accessing the shutoff valve (disconnect gas and/or electricity to the appliance).

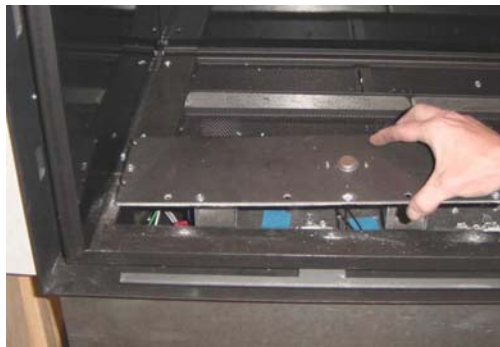
Remove the glass frame. Remove the front firebox tray (it is painted, enamel, or stainless steel). Take care to prevent scratching any surfaces.



Remove the screws holding the left access panel in place.



Remove the access panel and place it aside (take care to prevent damage the wiring leading to the snap disc).



The shutoff valve is located near the gas inlet. Reach in and turn the gas control valve or use a tool to carefully reposition the valve knob.



Mounting the Junction Box (Switch and Rheostat)

Do not connect 110-120 VAC to the gas control valve or wiring system of this fireplace.

- This fireplace includes a junction box that must be installed in an accessible location. This box contains the low-voltage synchronization switch (installed on the open side) and a high-voltage rheostat used for the blower (see photos below).

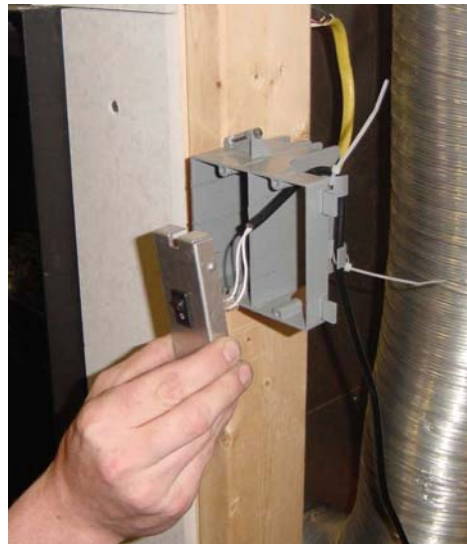
The 12' (3.5M) long synchronization wire exits the fireplace on the left side and has the switch pre-installed.



Mount the junction box in a location that may be reached by the 12' (3.5M) long control wire. This junction box must be accessible after installation. A closet or other hidden area may be the most desirable location. This junction box is only needed to re-program the remote and for initial calibration of the exhaust blower (if needed).



Secure the synchronization wire to the junction box with lock-ties. The junction box has an open side with included tabs that allow for securing the low-voltage wire. Disconnect the wire and route it through the switch plate, then re-attach the wires. Install the switch into the switch plate and insert the switch plate into the junction box (see photo to the right).

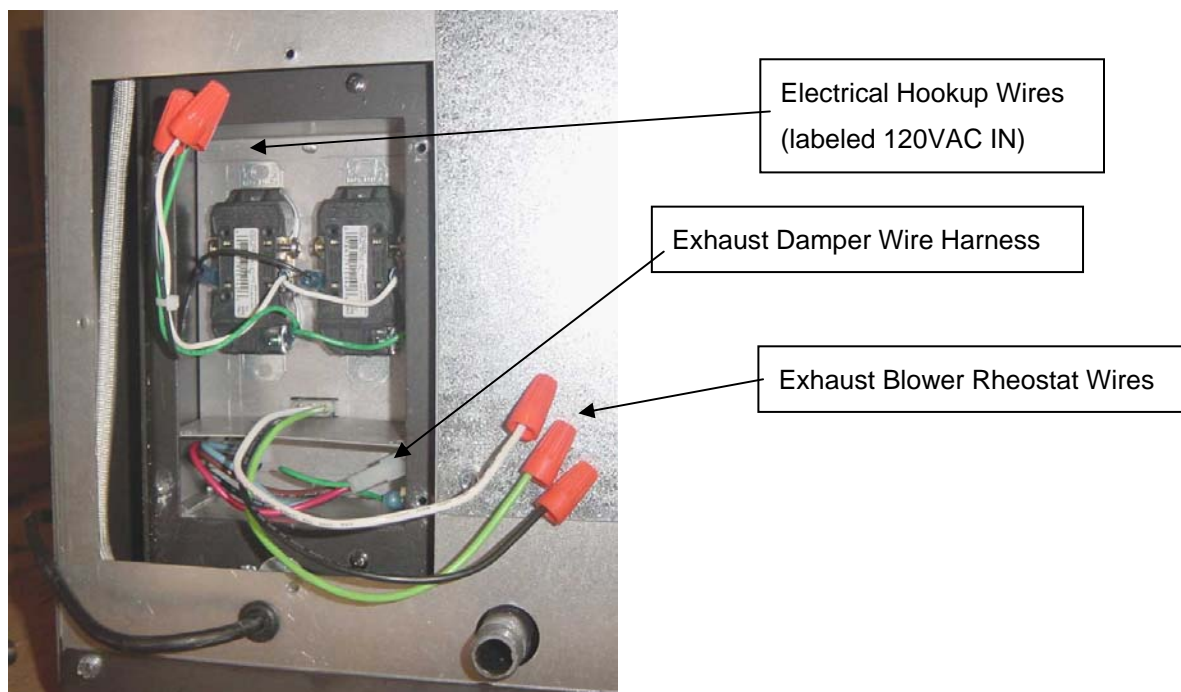
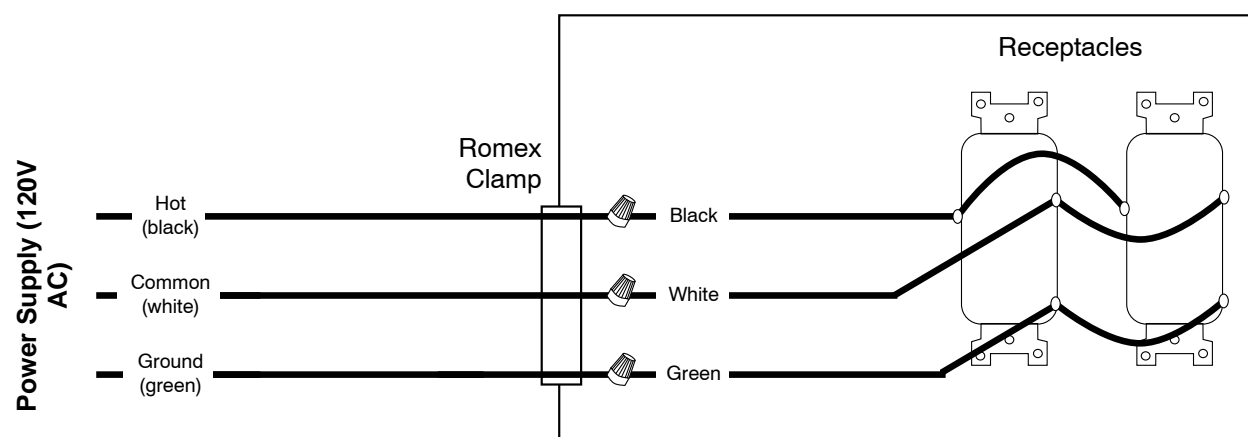


Caution: Label all wires prior to disconnection when servicing controls. Wiring errors can cause improper and dangerous operation. Verify proper operation after servicing.

Electrical Connection

- The electrical line to the grounded receptacle inside the fireplace must be installed by a qualified installer and must meet all local codes.
- Make sure the household breaker is shut off prior to working on any electrical lines.
- The appliance, when installed, must be electrically grounded in accordance with local codes or, in the absence of local codes, with the National Electrical Code, ANSI/NFPA 70, or the Canadian Electrical Code, CSA C22.1.
- The electrical line must be a min. 14 gauge, and supply 120 Volts, 60 Hz, and 5.7 Amps.
- Route the electrical connection through the zc cover plate and junction box cover plate and attach to the hookup wires pictured below.

Caution: Label all wires prior to disconnection when servicing controls. Wiring errors can cause improper and dangerous operation.

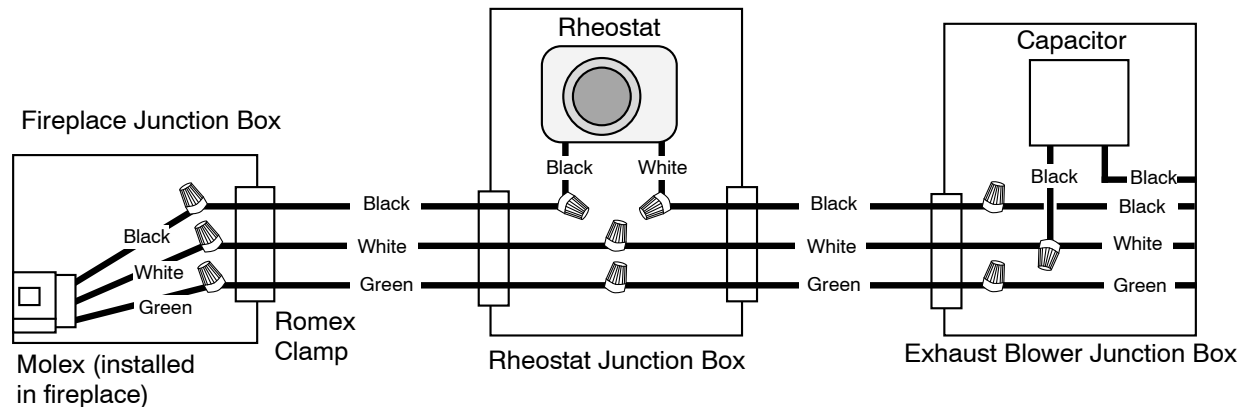


Wiring the Exhaust Blower Rheostat

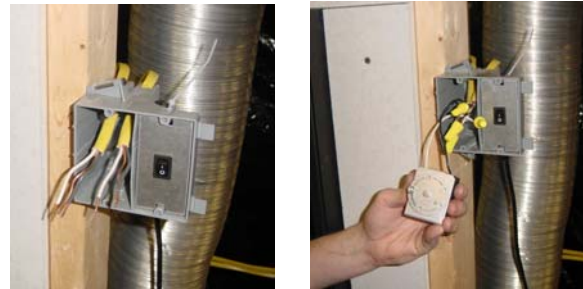


Do not connect 110-120 VAC to the gas control valve or wiring system of this fireplace.

- The junction box that contains the synchronization switch also contains the exhaust blower rheostat. After attaching the junction box, connect a minimum 12 gauge sheathed three-wire electrical line from the fireplace to the junction box. Attach the wires as shown below and run this electrical line to the exhaust blower.



Route an electrical line from the fireplace and exhaust blower to the junction box.



Attach the electrical line to the rheostat as shown in the wiring diagram.

Insert the rheostat into the junction box and place the included rheostat cover over the rheostat. The rheostat is only adjusted once during fireplace installation and is not homeowner operated.



After the drywall is installed, attach the included cover plate to the junction box. Make sure this junction box is accessible after installation.



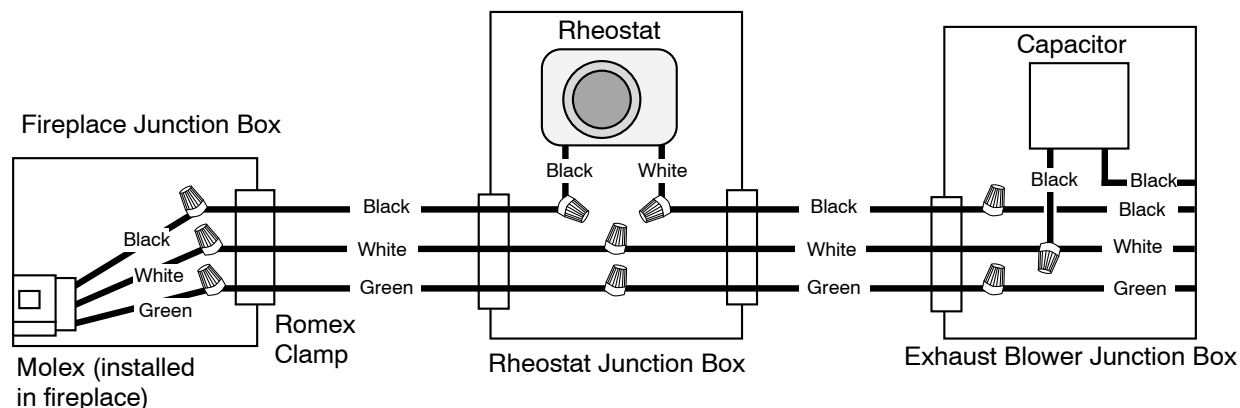
Caution: Label all wires prior to disconnection when servicing controls. Wiring errors can cause improper and dangerous operation.

Wiring the Exhaust Blower



Do not connect 110-120 VAC to the gas control valve or wiring system of this fireplace.

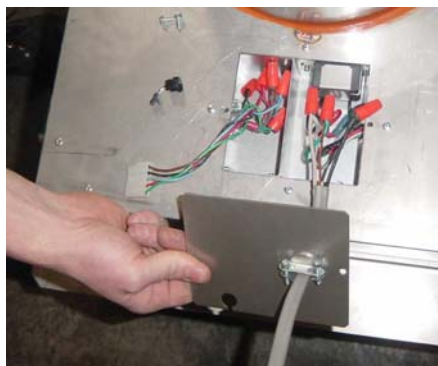
- The exhaust box is wired to the 120v line exiting the exhaust blower rheostat. Connect a minimum 12 gauge sheathed three-wire electrical line from the rheostat to the exhaust blower junction box. Attach the wires as shown below.



Remove the cover plate on the exhaust blower housing.



Route the electrical line through the romex connector and attach the 120v wiring as detailed in the wiring diagram.

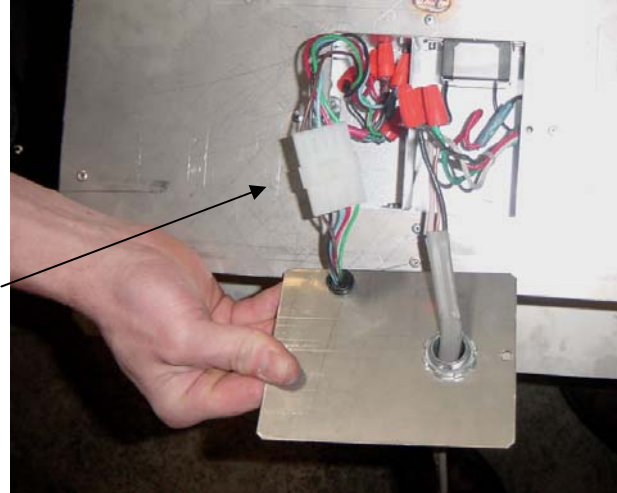


Wiring the Exhaust Blower (continued)

- In addition to the exhaust blower line, a low-voltage wire harness is routed from the exhaust damper to the fireplace (see page 6 for wire lengths and part numbers).

Route the exhaust damper wire harness through the junction box plate (make sure to use the correct end). Attach the molex connector from the harness to the molex connector inside the exhaust box assembly). Slide the strain relief over the wire harness and press it into the junction box cover to secure the wire.

Molex Connector



Replace the junction box cover, making sure all wiring is properly inserted.

Route the wire harness to the fireplace and attach to the molex connector on the fireplace junction box (see photo below) . Secure the wiring with the included strain relief. Re-attach the junction box cover (see photo below to right).

Caution: Label all wires prior to disconnection when servicing controls. Wiring errors can cause improper and dangerous operation.

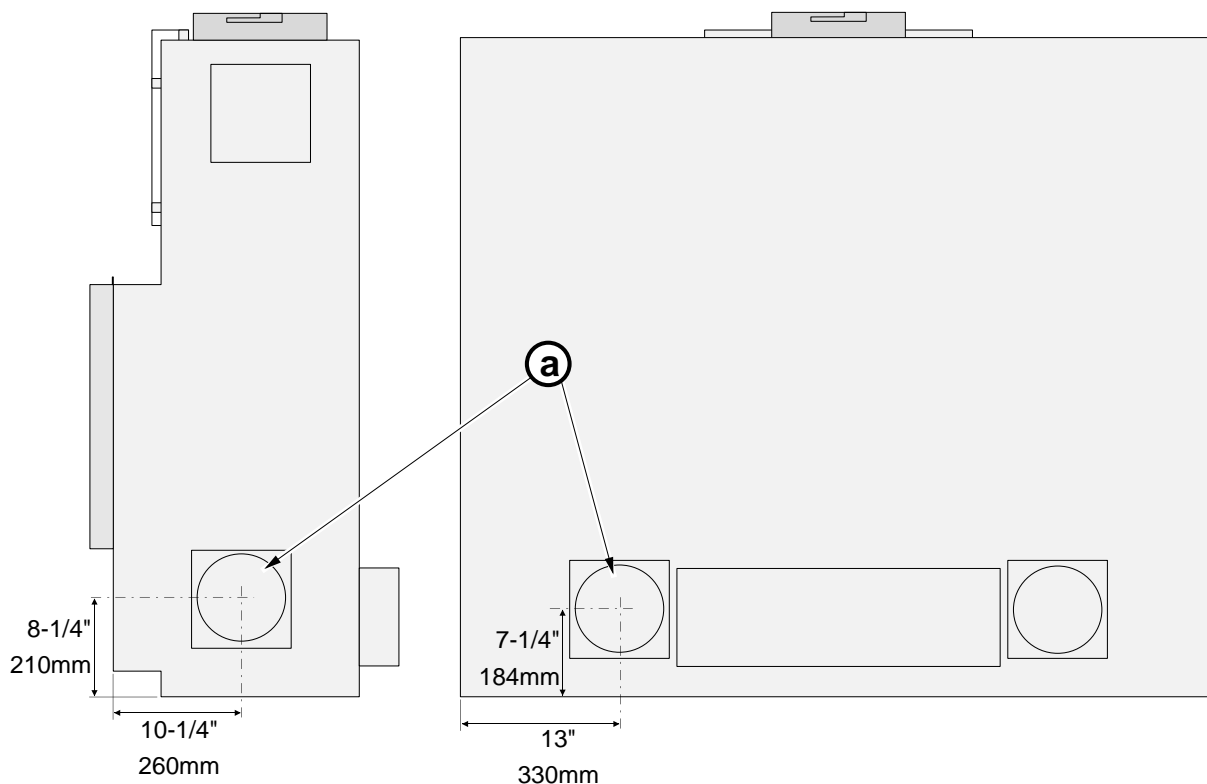
Exhaust Damper Wire Harness



Air Inlet Requirements

The fireplace requires two air inlets to supply combustion air to the firebox. Requirements for the air inlets are listed below:

- Connect the air inlets to the back or side connections (see “a” below). Remove the inner and outer cover plates and connect the ducting to the inner chamber using the included starter collar.
NOTE: You must use two air inlets (one from the left and one from the right).
- Maximum air inlet length is 20' (6 M) using 6" (152mm) diameter flexible duct. For air inlet runs over 20' (6 M) consult with Travis Industries to have the vent supply re-sized. Insulated ducts may be used.
- Air inlet must be routed to the exterior of the structure or to an area that freely conveys air to the outside. Do not draw air from a garage or other area that may be subject to fumes or airborne particles.
- Air inlet termination must be positioned so it does not become blocked by snow, vegetation, or other material.
- The included air inlet termination (with damper) must be properly connected to the air inlet and placed so rain or moisture does not enter. The air inlet termination must be accessible for service and verification.
- The air inlet wiring is routed from the fireplace through the ducting to the inlet termination. Attach the wiring harness to the termination damper (wire orientation does not matter). These wires may be shortened. When installing, make sure all excess wire is positioned away from the damper so it does not interfere with damper operation.
- After installation, turn the fireplace on and visually check the air inlet terminations to verify the damper plates open correctly.



Air Inlet Installation

After removing the inner and outer cover plates, install the starter collar. Bend the tabs down to secure it.



Locate the inlet damper wires and make sure they are accessible before proceeding.



The inlet damper requires a framed opening that is 8" (203mm) wide by 9" (229mm) tall. Secure the inlet damper plate to the framing.



Slide the inlet damper into place.



Secure the inlet damper to the inlet damper plate.



Air Inlet Installation (continued)

Before attaching the flex duct, make sure to attach the inlet damper wires to the damper assembly. Then insert the wires into the flex duct. Pull the wires through the duct, making sure they do not catch any sharp edges.



Slide the flex duct into place.

NOTE: In the pictured example, we have crimped the inlet damper. You may crimp this or use the included slider plate or connector to attach your flex duct.



Secure the flex duct to the inlet damper with two screws

DO NOT SCREW INTO THE TOP OF THE INLET DAMPER – THIS MAY CAUSE DAMAGE TO THE INLET DAMPER ACTUATOR.



Use suitable tape to seal the duct joint.



Route the flex duct to the fireplace air inlet. Connect the wires from the air inlet damper to the wires from the fireplace.

NOTE: The air inlet wires may be shortened to ease installation.



Vent Requirements

- The gas appliance and vent system must be vented directly to the outside of the building, and never be attached to a chimney serving a separate solid fuel or gas-burning appliance. Each direct vent gas appliance must use its own separate vent system.
- In addition to the requirements listed here, follow the requirements provided with the vent.
- A firestop is required whenever the vent penetrates a wall, floor, or ceiling (passes through framing members). If venting vertically through the ceiling directly above the fireplace enclosure, use the included firestop with shielding (see "Firestop" below).

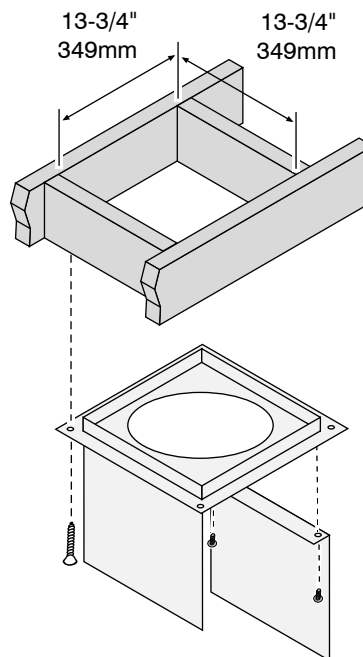
Vent Clearances

- The vent must maintain the required clearance to combustible materials to prevent a fire. Do not fill air spaces with insulation.

	Before First Firestop	After First Firestop
Minimum Clearance to Vent	3" (76mm)	1" (25mm)

Vent Firestop

- When the vent is routed vertically through the fireplace enclosure the included firestop must be used. This firestop includes two heat shields that must be installed to protect the framing to the front and rear of the firestop (see illustration below). The firestop is installed to the framing from below. See the dimensions below for framing the firestop.



- All remaining firestops may be provided by the vent manufacturer (1" clearance).
- All horizontal penetrations require a firestop. It may be provided by the vent manufacturer (1" clearance).

Altitude Considerations

- This fireplace has been tested at altitudes ranging from sea level to 6,000 feet (1800 M). In this testing we have found that the fireplace, with its standard orifice, burns correctly with just an air shutter adjustment.
- Failure to adjust the air shutter properly may lead to improper combustion which can create a safety hazard. Consult your dealer or installer if you suspect an improperly adjusted air shutter.

Approved Vent

- Use listed 10" B-Vent (typically 11" 279mm outer diameter). This vent is available from Simpson Duravent (www.duravent.com).

Vent Installation

- Before installing vent sections, place a bead of high-temperature silicone around the joint to insure an air-tight seal.
- Lock the vent sections together and use screws to secure.
- Horizontal sections require non-combustible support every three feet (e.g.: plumbing strap)

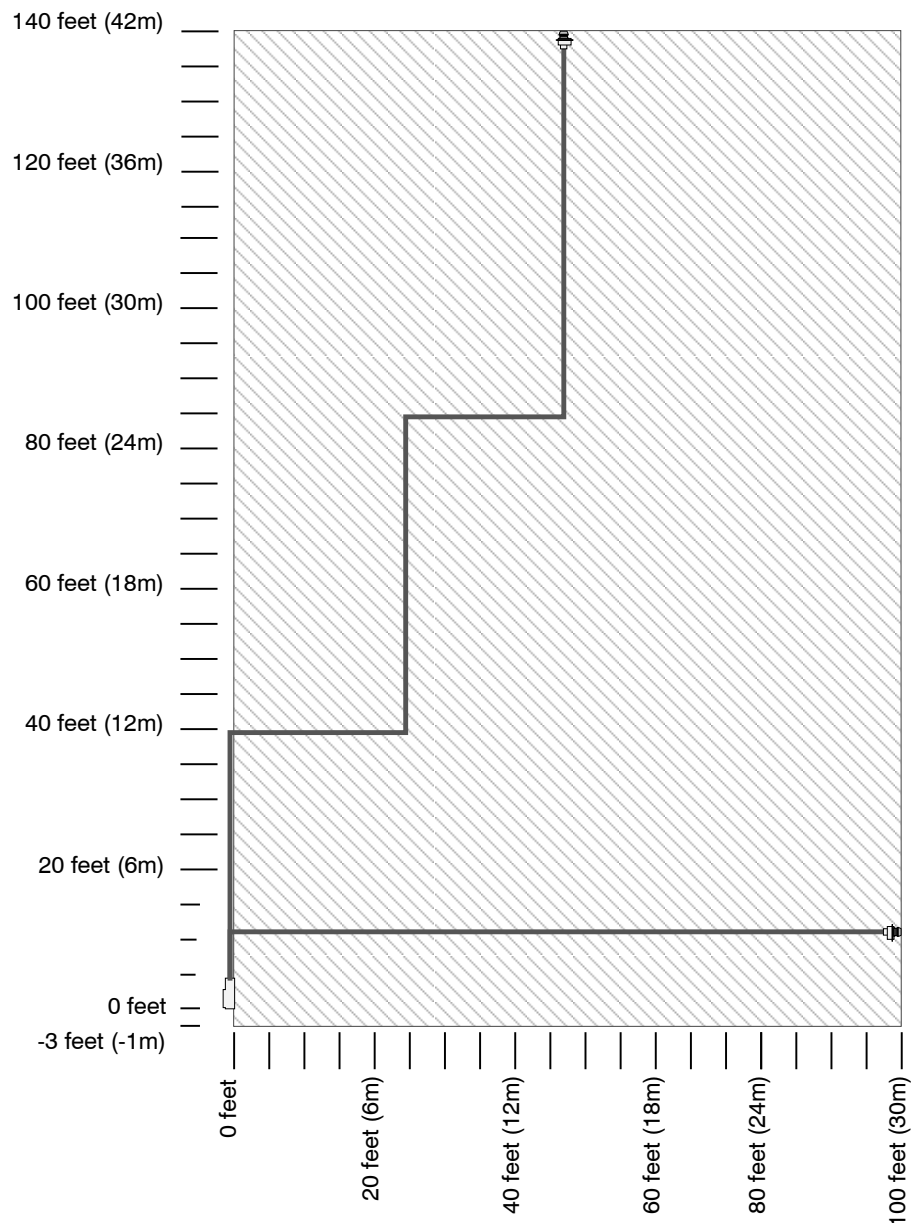
Approved Vent Configurations

Maximum Vent Run and Rise

The fireplace vent must meet the following requirements:

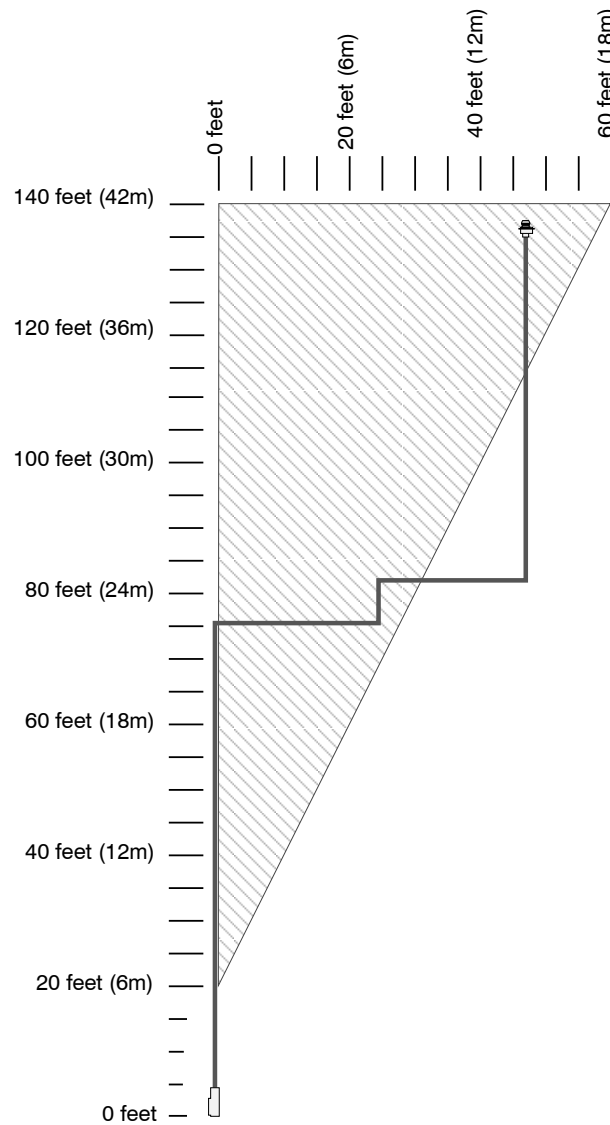
- Maximum Horizontal Run = 100' (30 M)*
- Maximum Vertical Rise = 140' (42 M)*
- Maximum 90° Elbows = 4 (note: two 45° elbows count as one 90° elbow)
- Maximum Vertical Drop = 3' (1 M) Below base of fireplace
- Minimum Vent Length = 54" (1372mm)

* Those installations with a total vent length over 140' (42 M), contact Travis Industries for further review and approval.

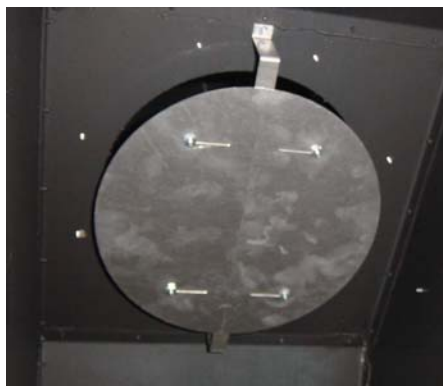


Exhaust Baffle

Vent configurations that fall within the shaded area in the diagram below require the exhaust baffle to be opened.

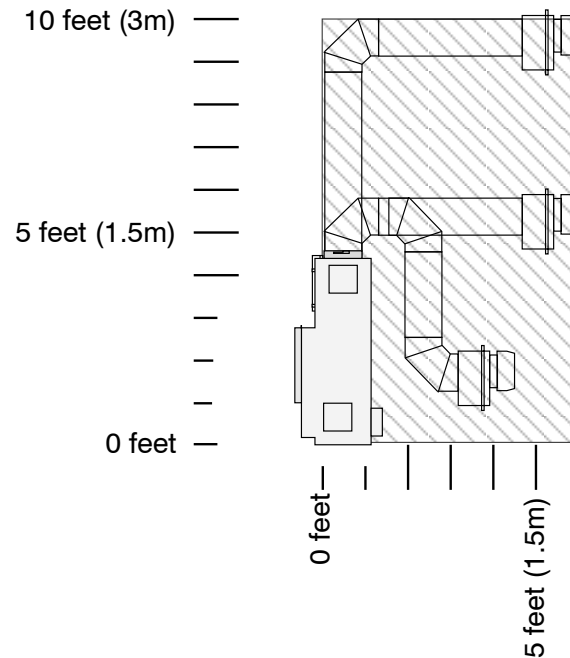


To open the baffle, access the area inside the firebox at the very top. Loosen the four nuts holding the exhaust baffle in place. Slide the baffles outwards and re-tighten to secure.



Rheostat Adjustment

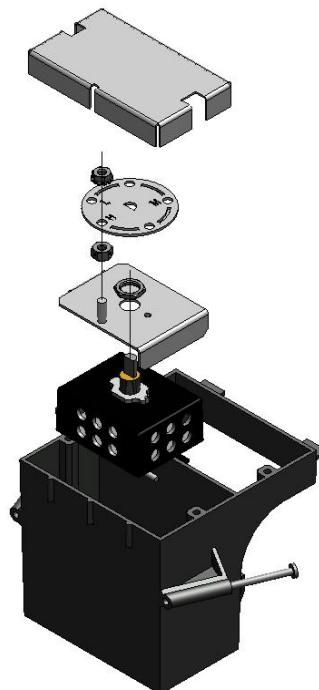
Most vent configurations will require no adjustment to the rheostat. Vent configurations that fall within the shaded area in the diagram below require the rheostat to be set to medium, medium-high, or high (the rheostat ships in the medium position).



NOTE: The minimum vent length is 54" (this prevents the exhaust blower from over-heating).

The rheostat is adjusted by removing the nut holding the rheostat dial in place. Replace the nut and cover after adjustment to insure the rheostat is not inadvertently adjusted.

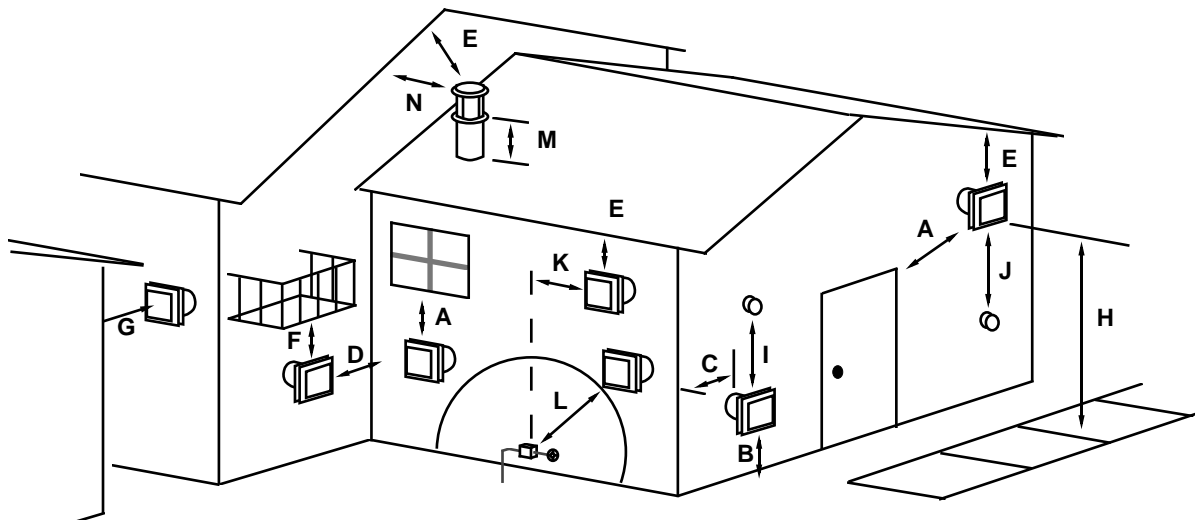
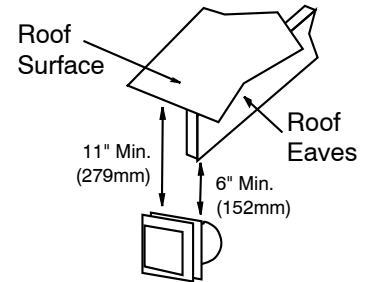
NOTE: Make sure to re-install the rotating plate correctly. If you put it on upside-down it will not calibrate correctly.



Termination Requirements

! Venting terminals shall not be recessed into a wall or siding.

- A Minimum 9" (229mm) clearance from any door or window
- B Minimum 12" (305mm) above any grade, veranda, porch, deck or balcony
- C Minimum 1" (25mm) from outside corner walls
NOTE: Clearance in accordance with local installation codes and the requirements of the gas supplier.
- D Minimum 1" (25mm) from inside corner walls
NOTE: Clearance in accordance with local installation codes and the requirements of the gas supplier.
- E Minimum 11" (279mm) clearance below unventilated soffits or roof surfaces
Minimum 18" (457mm) clearance below ventilated soffits
Minimum 6" (152mm) clearance below roof eaves
NOTE: Vinyl surfaces require 24" (610mm)
NOTE: Clearance in accordance with local installation codes and the requirements of the gas supplier.
- F Minimum 12" (305mm) clearance below a veranda, porch, deck or balcony
NOTE: Permitted only if veranda, porch, deck, or balcony is fully open on a minimum of two sides beneath the floor.
NOTE: Clearance in accordance with local installation codes and the requirements of the gas supplier.
- G Minimum 48" (1219mm) clearance from any adjacent building
- H Minimum 84" (2134mm) clearance above any grade when adjacent to public walkways or driveways
NOTE: may not be used over a walkway or driveway shared by an adjacent building
- I Minimum 9" (229mm) clearance to any nonmechanical air supply inlet to the building or the combustion air inlet to any other appliance.
- J Minimum 36" (914mm) clearance above any mechanical air supply inlet if within 10' (3M) horizontally
- K Minimum 36" (914mm) from the area above the meter/regulator (vent outlet) - this extends 15' (4.5M) above the regulator
NOTE: Clearance in accordance with local installation codes and the requirements of the gas supplier.
- L Minimum 36" (914mm) from the meter/regulator (vent outlet)
NOTE: Clearance in accordance with local installation codes and the requirements of the gas supplier.
- M Minimum 12" (305mm) above the roof line (for vertical terminations)
- N Minimum 24" (610mm) horizontal clearance to any surface (such as an exterior wall) – for vertical terminations

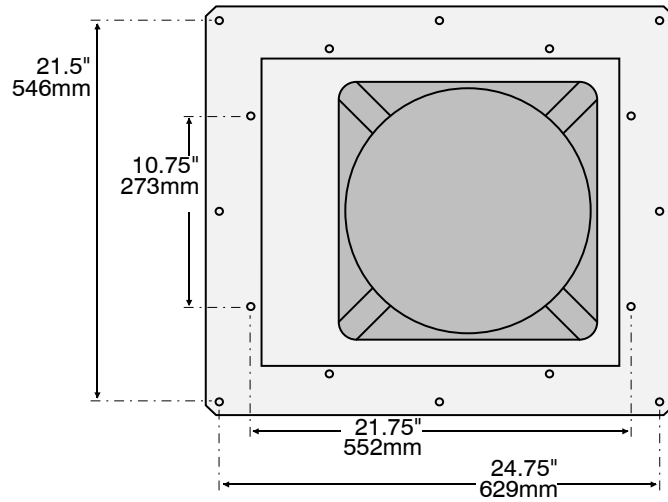
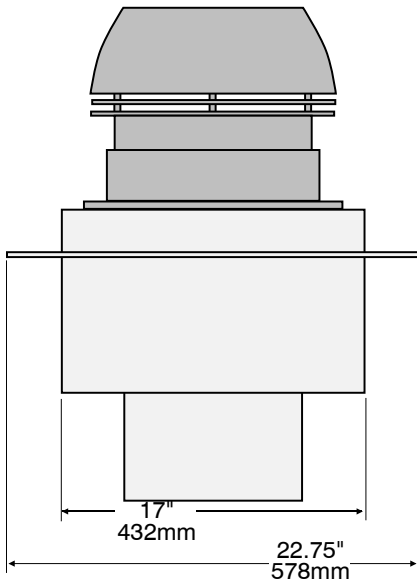
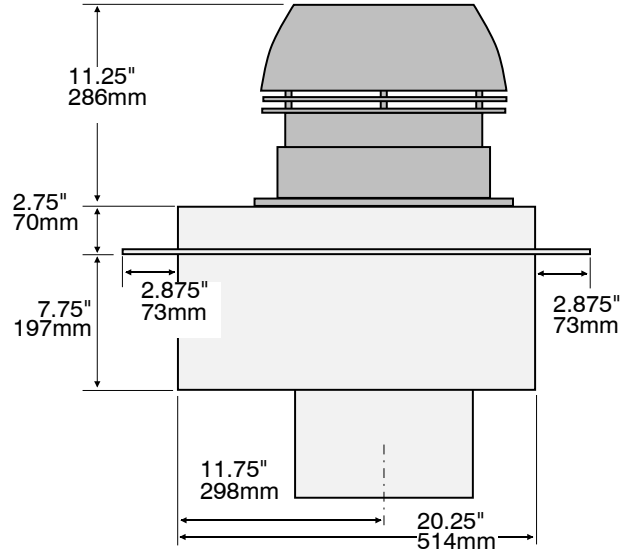
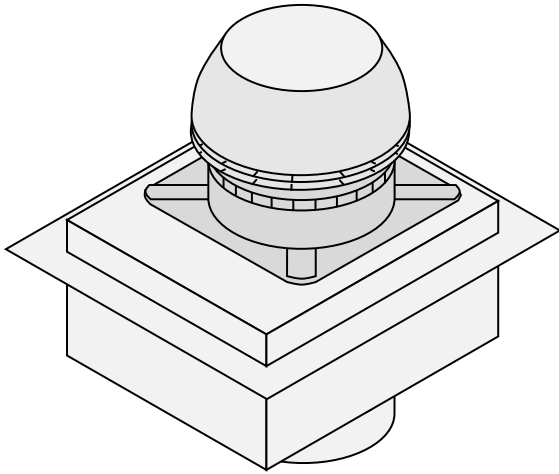


NOTE: Measure clearances to the nearest edge of the exhaust hood.

- Vent termination must not be located where it will become plugged by snow or other material

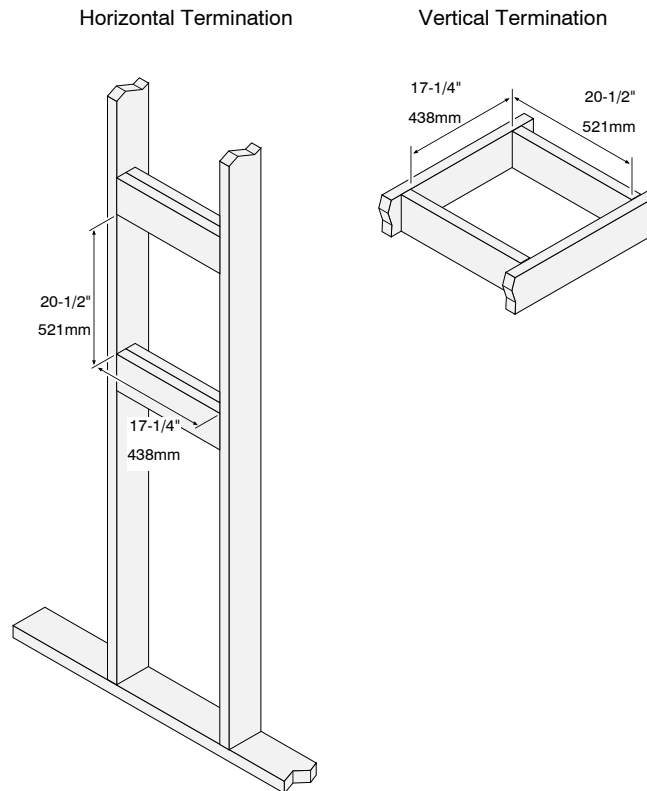
Exhaust Box Mounting

Exhaust Box Dimensions

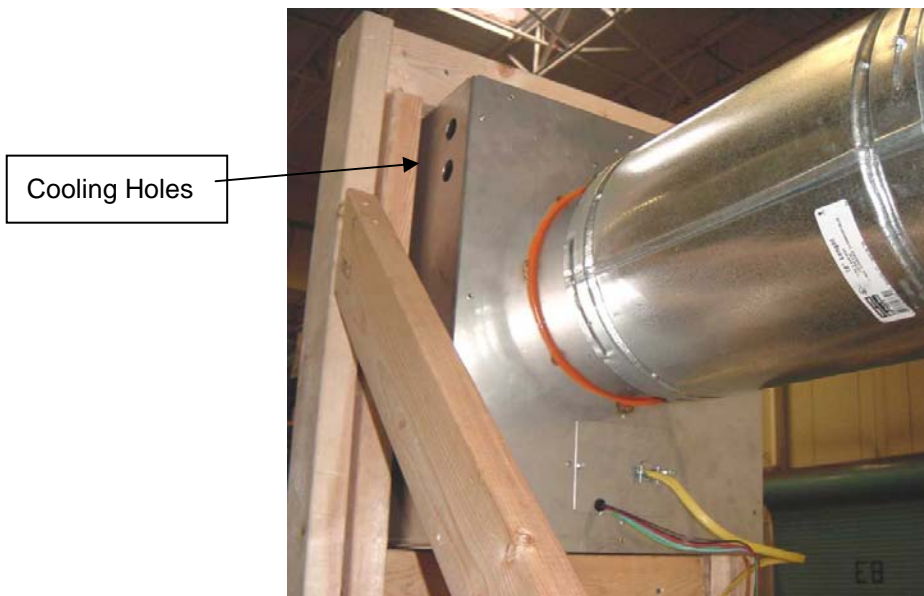


Framing For Exhaust Box

- The exhaust box must be mounted into framing capable of supporting the weight of the exhaust box and any vent.
- Box must be properly weatherized to prevent rain or snow from entering.
- Framing dimensions for the box are listed below.

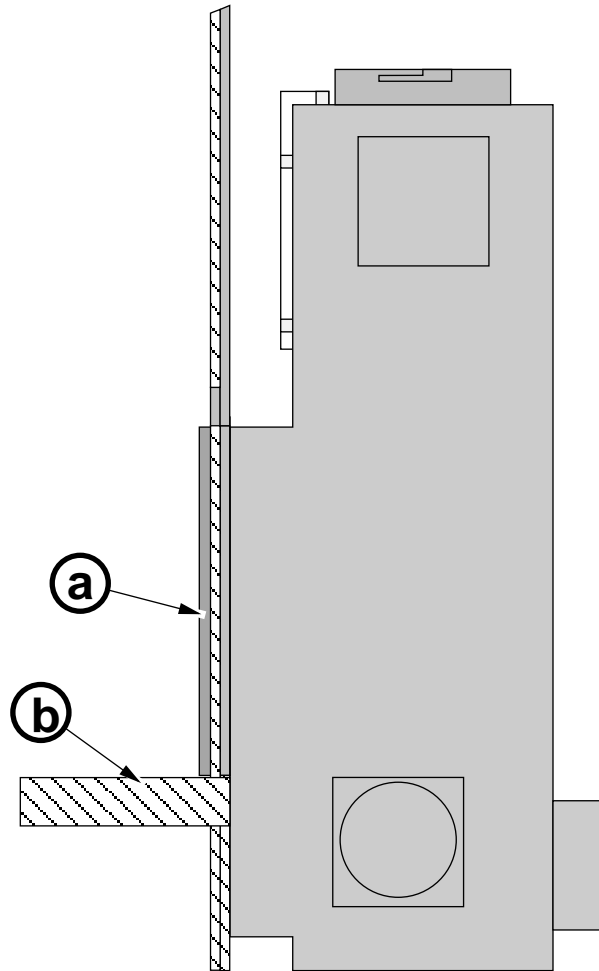


- Box may be mounted in a vertical or horizontal position. If mounted in a horizontal position, the box must be mounted with the cooling holes on top (to allow for proper airflow).



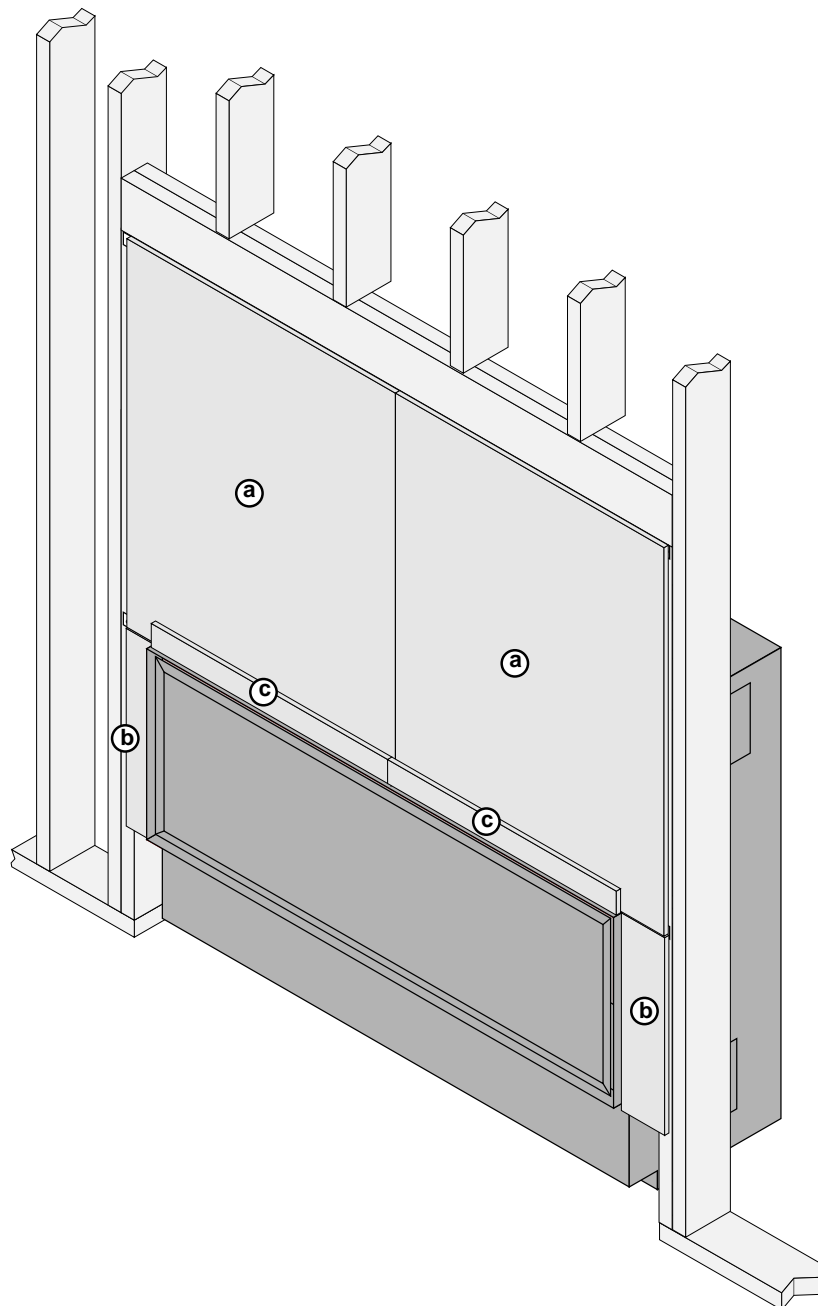
Hearth Requirements

A hearth is not required for this fireplace. If a hearth is installed, it must not extend above the tile stop (see item "a" below). The hearth (see item "b" below) may be combustible or non-combustible.



Facing Requirements

- The included fiber board (or other non-combustible) is required from the tile stop to the header (see “a” below) and to the framing on both sides (see “b” below). See “Fiber Board Installation” for further details.
- Non-combustible facing must extend 2” (51mm) above the tile stop (see “c” below). Use the included fiber board or other non-combustible. Drywall or other combustible may not be place on top of this non-combustible area.
- Drywall (or other combustible) may be placed on top of the fiber board, except in the area within 2” above the tile stop.
- Tile or other non-combustible facing may be placed along the perimeter of the tile stop, but must not extend over it. This area must remain open to allow for glass frame removal and air flow.



Fiber Board Installation

Place the large piece of fiber board on top of the tile stop. Center it over the tile stop and secure it to the framing with suitable fasteners (use steel stud screws or drywall screws with a pilot hole).

NOTE: The fiber board rests on the tile stop and may cause it to deflect slightly. You may need to shim the fiber board to insure it is level and does not cause the tile stop to dip down.

HINT: Mark the locations of the steel studs on the tile stop prior to placing the fiberboard. This will insure your screws line up with the studs.

Install the second large piece of fiber board.



The fireplace includes two mounting plates used to brace the pieces of fiber board along the side of the fireplace. Position the mounting plate so the tabs on the side of the fireplace insert into the slots on the mounting plates (see picture directly to the right). Then secure the mounting plate to the framing (picture far right). Repeat this process for the opposite side.



Place the side fiber board in place and secure.



The top strips are installed over the tile stop. These two pieces provide the 2" of non-combustible material required above the tile stop (used only for flush drywall – see “Facing Example – Flush Drywall” on page 38).

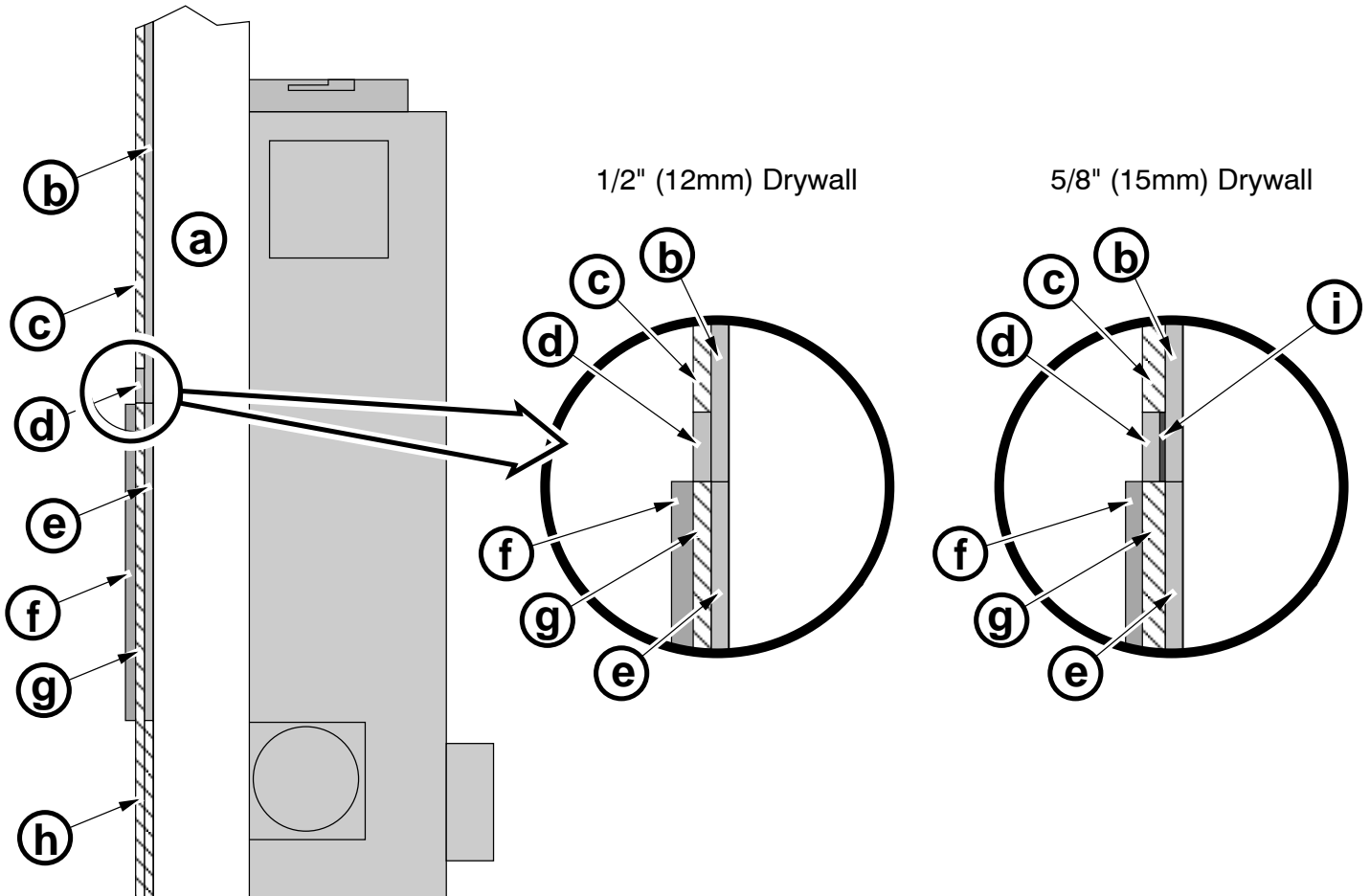


Facing Example – Flush Drywall

Drywall may be installed on top of the fiber board (NOTE:do not install drywall or other combustible over the 2" (51mm) strip above the tile stop. It is also installed below the tile stop. Because the fiber board is ½" (12mm) thick, we recommend using two layers of drywall below the fireplace to make the facing flush. See the illustration below for further details.

NOTE: If using 5/8" (15mm) drywall, use the included spacer to position the fiber board flush with the drywall (see item "i" in the illustration below).

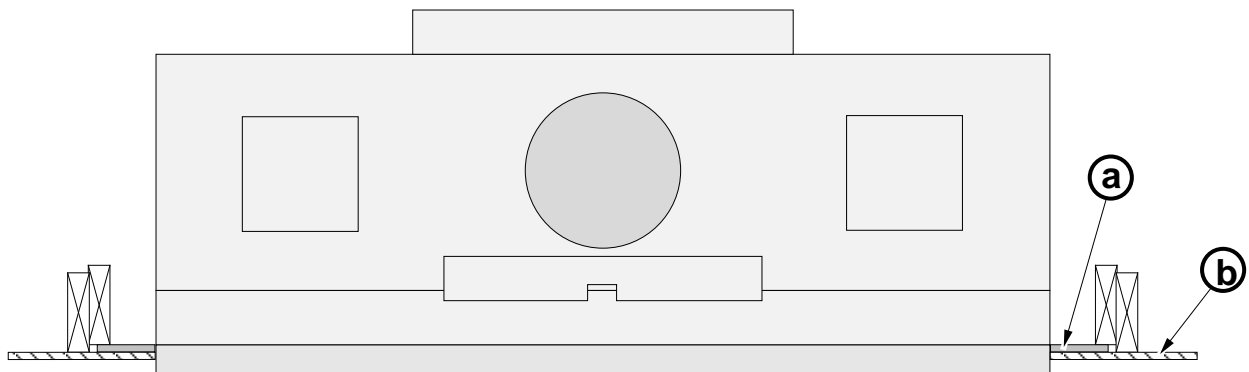
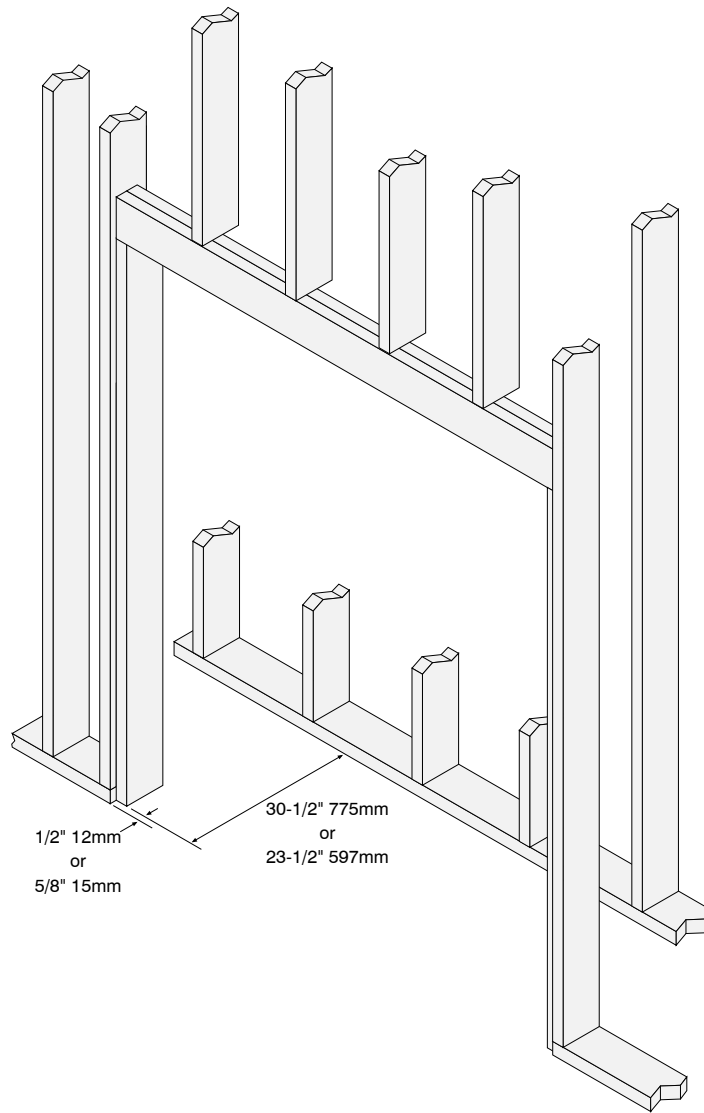
NOTE: You may wish to setback the framing ½" (12mm) or 5/8" (15mm) to allow the drywall to overlap the fiberboard. See "Framing Setback" on page 39 for details.



- (a) Framing to side of fireplace.
- (b) Fiber board above tile stop.
- (c) Drywall above tile stop.
- (d) 2" (51mm) Strip of fiber board above tile stop.
- (e) Fiber board to the side of tile stop.
- (f) Tile stop.
- (g) Drywall to the side of tile stop.
- (h) Two layers of ½" (12mm) drywall are used below the tile stop to make the facing flush.
- (i) 5/8" (15mm) Drywall spacer (used to position the fiber board flush with the drywall).

Framing Setback

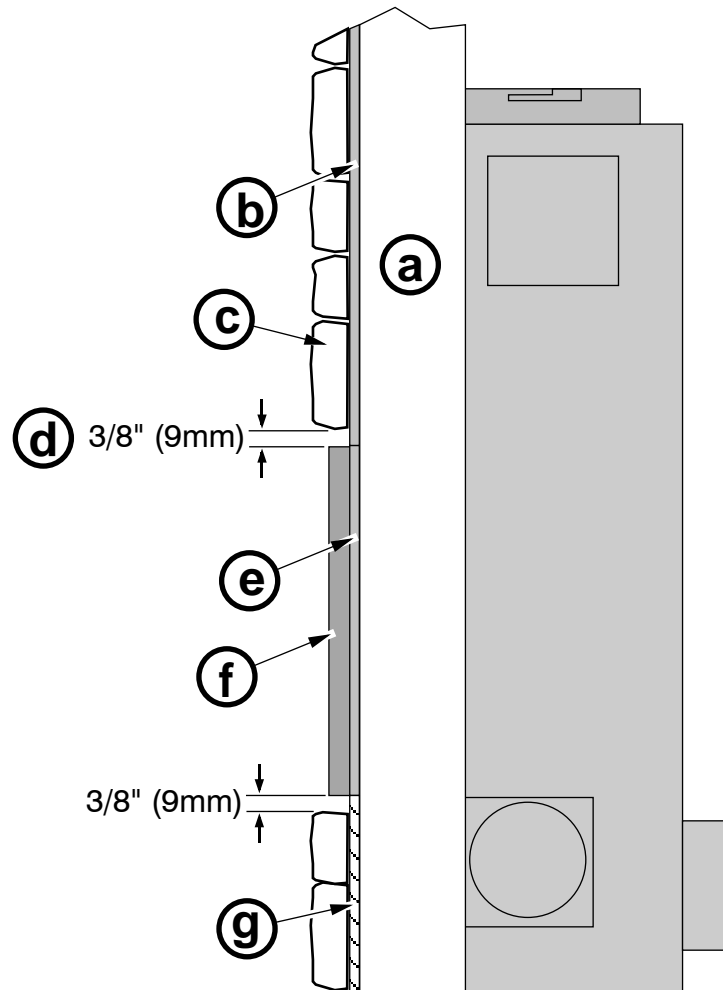
The framing may be setback the thickness of the drywall to allow the drywall to overlap the fiberboard. See the illustration below.



- (a) Fiber board to side of fireplace
- (b) Drywall

Facing Example – Thick Facing

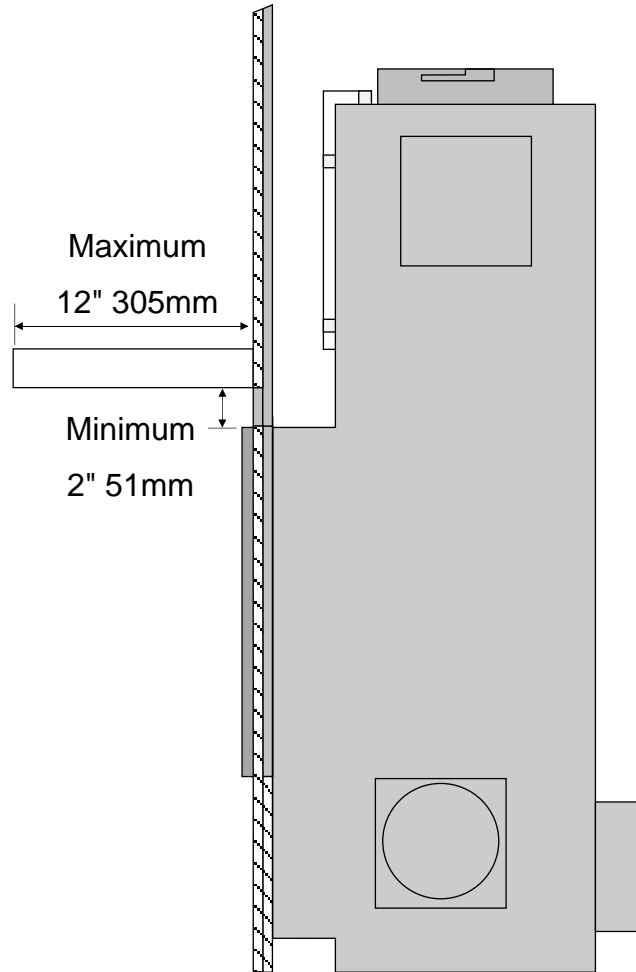
Thick facing may be used with the fireplace. It must be spaced 3/8" (9mm) from the tile stop to allow the glass trim to install correctly. See the illustration below.



- (a) Framing to side of fireplace.
- (b) Fiber board above tile stop.
- (c) Thick facing (cultured stone, brick, etc.).
- (d) 3/8" (9mm) gap is required around the perimeter of the tile stop to allow for the glass trim to install correctly.
- (e) Fiber board to the side of tile stop.
- (f) Tile stop.
- (g) 1/2" Tile board (or other suitable material) installed below the tile stop.

Mantel Requirements

- A combustible or non-combustible mantel may be installed a minimum of 2" (51mm) above the tile stop (33-3/4" 857mm above the base of the fireplace).
- The mantel may be a maximum of 12" (305mm) deep.



Steps for Finalizing the Installation

1. Remove the glass frame (see page 44).
2. We recommend you purge the gas line at this time (with the glass frame removed). This allows gas to be detected once it enters the firebox, ensuring gas does not build up.
3. Replace the glass frame.
4. Start the fireplace.
5. Leak test all gas joints.
6. Check the air shutter following the directions below.

Air Shutter Adjustment

There are three air shutters on the fireplace. We recommend you adjust the air shutters prior to installing the crushed glass. You may wish to use an assistant to hold the glass frame while adjusting the air shutter.

- a) Let the fireplace burn for three minutes.
- b) Check the flame height on the three burners (left, right, and center). Each should be approximately 10" to 15" tall at the highest point. Individual flames may have a different pattern, but the overall height should be similar from left to right (see the photo below).

NOTE: The flames will look different when the crushed glass is installed.



- c) If adjustment is needed, the air shutters can be adjusted with the appliance running. Carefully open the glass frame to access the air shutters (have a helper hold the glass frame if necessary). The air shutters are marked with an "X" for closed (less air – more orange flame) and "0" for open (more air – more blue flame). Tap the air shutters with the glass latch tool, taking care not to burn yourself or ignite clothing (wear a leather glove and no sleeves). Close the glass frame and allow the fireplace to burn for 30 seconds to assess flame height and quality.

NOTE: The right air shutter is reversed. Look for the markings on the air shutter when adjusting.



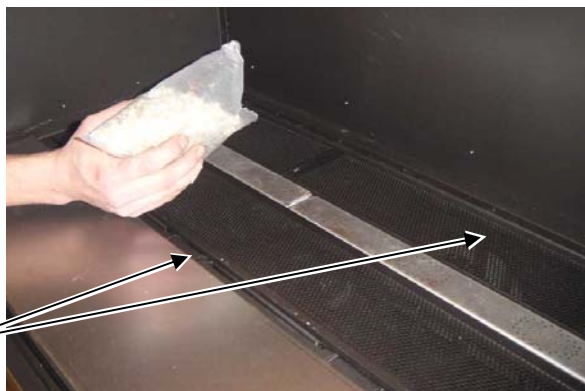
- d) With the correct air shutter setting the fireplace should have a uniform flame height from left to right with no sooting.

- Turn the appliance off and install the crushed glass.

Crushed Glass Installation

Open up the bags of crushed glass and pour them onto the burner and perforated steel. Pour the bags evenly so all eight bags are evenly distributed.

NOTE: Do not place crushed glass on the channels directly in front of or behind the perforated steel.



Carefully distribute the crushed glass evenly across the burner and perforated steel.



Carefully remove the crushed glass from the area directly above the pilot and the starter holes directly in front of the pilot.

NOTE: Failure to clear this area will result in poor fireplace ignition. This may lead to delayed ignition "pops" or sooting.



- Replace the glass frame. Turn the appliance on and verify air shutter adjustment. If adjustment is necessary, you may wish to shut the appliance off and make uniform adjustments to all three air shutters simultaneously (turn all three air shutter down one notch or up one notch).
NOTE: If flame quality is excessively fast and flickering or slow and lazy you may need to adjust the exhaust blower rheostat. This adjustment is best not made unless you are 100% certain. Contact Travis Industries before adjusting the rheostat.
- Give this manual to the home owner for future reference and fully explain operation of this fireplace.

Glass Frame Removal and Installation

Warning: The appliance must be completely cool before removing the glass frame.

Warning: Do not strike or slam the glass frame.

Hint: The glass frame is very heavy. We recommend you have an assistant help when removing.

Insert the glass frame tool into the latch on the upper side of the glass frame. Make sure the tool inserts fully into the latch.



Rotate the handle down to unlatch the glass frame.



With both latches un-latched, the glass frame may be rotated down. Once the glass frame is at 45°, lift the glass frame up and off the clips below the glass frame. To install the glass, place the bottom of the glass frame on the ledge in front of the firebox. Make sure the tabs on the glass insert into the slots on the fireplace. Rotate the glass frame up and re-attach both latches.



Glass Trim

The included glass trim is used to conceal the gap between the glass frame and tile guide. Follow the directions below to install.

Place the included magnets onto the glass frame. Three magnets are attached above the glass frame, three below, and two on each side. Space the magnets out evenly.



Place the side trim in place. Note how the cut-outs insert over the glass frame.

Place the lower trim in place. NOTE The lower trim has slots (see photo below to the left).

Place the upper trim in place. Once in place, position the trim so the corners are square.



Additional Equipment	7	Wiring the Exhaust Blower (continued)	22
Air Inlet Installation (continued)	25	Wiring the Exhaust Blower Rheostat	20
Air Inlet Installation	24	Wiring the Exhaust Blower	21
Air Inlet Requirements	23		
Air Shutter Adjustment	42		
Altitude Considerations	26		
Approved Vent Configurations	28		
Approved Vent	27		
BTU Specifications	6		
Clearances	11		
Crushed Glass Installation	43		
Dimensions	6		
Drywall Installation	38		
Electrical Connection	19		
Exhaust Baffle	29		
Exhaust Box Mounting	32		
Facing Requirements	35		
Fiber Board Installation	36		
Fireplace Placement Requirements	11		
Floor Mounting Brackets	14		
Fuel	16		
Gas Inlet Pressure	16		
Gas Line Connection	16		
Gas Line Location	16		
Gas Line Requirements	16		
Glass Frame Removal and Installation	44		
Glass Trim	45		
Hearth Requirements	34		
Installation Options	6		
Lifting Handle Installation	9		
Mantel Requirements	41		
MANUFACTURER REQUIREMENTS	10		
Massachusetts Requirements	10		
Maximum Vent Run and Rise	28		
Metal Framing	15		
Min. Framing Dims. – Inlet from Behind Fireplace	13		
Min. Framing Dims. – Inlet Through Rear Wall or Sides	12		
Mounting the Junction Box (Switch and Rheostat)	18		
Packing List	7		
Raised Fireplaces	11		
Recommended Installation Procedure	8		
Requirements for the Commonwealth of Massachusetts	10		
Rheostat Adjustment	30		
Steps for Finalizing the Installation	42		
Termination Requirements	31		
Vent Clearances	26		
Vent Firestop	26		
Vent Installation	27		
Vent Requirements	26		