



31 DVI GSB2 Insert Owner's Manual



**TRAVIS INDUSTRIES
HOUSE OF FIRE**

⚠ WARNING: FIRE OR EXPLOSION HAZARD

Failure to follow safety warnings exactly could result in serious injury, death, or property damage.

- Do not store or use gasoline or other flammable vapors and liquids in the vicinity of this or any other appliance.
- **WHAT TO DO IF YOU SMELL GAS**
 - Do not try to light any appliance.
 - Do not touch any electrical switch; do not use any phone in your building.
 - Leave the building immediately
 - Immediately call your gas supplier from a neighbor's phone. Follow the gas supplier's instructions.
 - If you cannot reach your gas supplier, call the fire department.
- Installation and service must be performed by a qualified installer, service agency or the gas supplier.



**HOT GLASS WILL CAUSE
BURNS**

**DO NOT TOUCH GLASS
UNTIL COOLED**

**NEVER ALLOW CHILDREN
TO TOUCH GLASS**

A barrier designed to reduce the risk of burns from the hot viewing glass is provided with this appliance and shall be installed for the protection of children and other at-risk individuals.

Tested and Listed by



Intertek

ANSI Z21.88-2014
CSA 2.33-2014

- **Direct Vent Fireplace Insert**
- **Masonry or Factory-Built (Metal) Wood-Burning Fireplace**
- **Residential or Mobile Home**

This appliance may be installed in an aftermarket, permanently located, manufactured home (USA only) or mobile home, where not prohibited by local codes.

This appliance is only for use with the type of gas indicated on the rating plate. A conversion kit is supplied with the appliance.

INSTALLER: Leave this manual with the appliance.

CONSUMER: Retain this manual for future reference.

Introduction

We welcome you as a new owner of a 31 DVI GSB2 Insert. In purchasing this fireplace insert you have joined the growing ranks of concerned individuals whose selection of an energy system reflects both a concern for the environment and aesthetics. It is one of the finest home heaters the world over. This manual will explain the installation, operation, and maintenance of this heater. Please familiarize yourself with the Owner's Manual before operating your heater and save the manual for future reference. Included are helpful hints and suggestions that will make the operation and maintenance of your new heater an easier and more enjoyable experience. We offer our continual support and guidance to help you achieve the maximum benefit and enjoyment from your heater.

Important Information

No other 31 DVI Insert has the same serial number as yours. The serial number is attached to the appliance near the gas control valve.

This serial number will be needed in case you require service of any type.

Model: 31 DVI GSB2

Serial Number: _____

Purchase Date: _____

Purchased From: _____

Register your warranty online at:

traviswarranty.com

Or, mail your warranty card to:

Travis Industries House of Fire
12521 Harbour Reach Dr.
Mukilteo, WA 98275

Save Your Bill of Sale.

To receive full warranty coverage, you will need to show evidence of the date you purchased your heater. Do not mail your Bill of Sale to us.

We suggest that you attach your Bill of Sale to this page so that you will have all the information you need in one place should the need for service or information occur.

Listing Details

This appliance was listed by Intertek. The listing label is attached to the appliance near the gas control valve. A copy is shown on page 33.

Massachusetts Approval

This manual has been submitted to the Massachusetts Board of State Examiners of Plumbers and Gas Fitters.

National Fireplace Institute



<u>Introduction</u>	<u>2</u>	<u>Surround Panel Installation</u>	<u>18</u>
<u>Important Information</u>	<u>2</u>	3-Piece Surround Panels	18
<u>Listing Details</u>	<u>2</u>	1-Piece Surround Panel	19
<u>Features</u>	<u>6</u>	Routing the Power Cord	19
<u>Installation Options</u>	<u>6</u>	Installation	19
<u>Heating Specifications</u>	<u>6</u>	<u>Rheostat Installation</u>	<u>20</u>
<u>Dimensions</u>	<u>6</u>	<u>On/Off Switch Installation</u>	<u>20</u>
<u>Electrical Specifications (for optional blower)</u>	<u>6</u>	<u>Glass Frame Removal and Installation</u>	<u>21</u>
<u>Fuel</u>	<u>6</u>	<u>Glass Frame Removal and Installation</u>	
<u>Installation Warnings</u>	<u>7</u>	<u>(continued)</u>	<u>22</u>
<u>Packing List</u>	<u>7</u>	<u>Media Installation (Log, Stone, or Driftwood)</u>	<u>22</u>
<u>Additional Items Required</u>	<u>7</u>	<u>Steps for Finalizing the Installation</u>	<u>23</u>
<u>Items Packed with the Face</u>	<u>7</u>	Air Shutter Adjustment	24
<u>Order of Installation</u>	<u>7</u>	<u>Before You Begin</u>	<u>25</u>
<u>Top Convection Deflector</u>	<u>8</u>	<u>Location of Controls</u>	<u>25</u>
<u>Fireplace Requirements</u>	<u>8</u>	<u>Starting the Heater for the First Time</u>	<u>26</u>
Factory-Built (Metal) Wood-Burning Fireplace		<u>Turning the Fireplace On and Off</u>	<u>26</u>
Requirements	9	<u>Comfort Control</u>	<u>26</u>
<u>Fireplace Altered Tag</u>	<u>9</u>	<u>Adjusting the Flame Height</u>	<u>27</u>
<u>Hearth Requirements</u>	<u>9</u>	<u>Adjusting the Blower Speed</u>	<u>27</u>
<u>Leveling Bolts</u>	<u>10</u>	<u>Continuous/Intermittent Pilot Switch</u>	<u>27</u>
<u>Electrical Requirements</u>	<u>10</u>	<u>Normal Operating Sounds</u>	<u>28</u>
<u>Clearances</u>	<u>11</u>	<u>Normal Operating Odors</u>	<u>28</u>
Mantel Clearances	11	<u>Power Outages</u>	<u>28</u>
<u>Modifying the Face Connector for Discovery,</u>		<u>Maintaining Your Heater's Appearance</u>	<u>29</u>
<u>Rosario, and Artisan Faces</u>	<u>11</u>	<u>Battery Replacement</u>	<u>29</u>
<u>Gas Line Requirements</u>	<u>12</u>	Power Backup Batteries	29
Gas Line Location	12	Control Panel Light Battery	29
Gas Inlet Pressure	12	<u>Yearly Service Procedure</u>	<u>30</u>
<u>Vent Requirements</u>	<u>13</u>	<u>Troubleshooting Table</u>	<u>31</u>
Altitude Considerations	13	<u>Replacement Parts List</u>	<u>31</u>
Vent Restrictor	14	<u>Wiring Diagram</u>	<u>32</u>
Vent Installation	14	Safety Label	33
Vent Location	15	<u>CONDITIONS & EXCLUSIONS</u>	<u>34</u>
Vent Configurations	15	<u>IF WARRANTY SERVICE IS NEEDED:</u>	<u>34</u>
Vent Connector Removal and Installation	16	<u>LP Conversion Instructions</u>	<u>35</u>
Vent Connector Removal and Installation			
(continued)	17		

- Failure to follow all of the requirements may result in property damage, bodily injury, or even death.

Young children should be carefully supervised when they are in the same room as the appliance. Toddlers, young children and others may be susceptible to accidental contact burns. A physical barrier is recommended if there are at risk individuals in the house. To restrict access to a fireplace or stove, install an adjustable safety gate to keep toddlers, young children and other at risk individuals out of the room and away from hot surfaces.

Children and adults should be alerted to the hazards of high surface temperature and should stay away to avoid burns or clothing ignition. Do not touch the hot surfaces of the heater. Educate all children of the danger of a high-temperature heater.

Due to the high temperature, the heater should be located out of traffic and away from furniture and draperies.

- This unit must be installed by a qualified installer to prevent the possibility of an explosion.
- This appliance must be installed in accordance with all local codes, if any; if not, in U.S.A. follow ANSI Z223.1 and NFPA 54(88), in Canada follow CSA B149.1.
- A manufactured home (USA only) or mobile home OEM installation must conform with the Manufactured Home Construction and Safety Standard, Title 24 CFR, Part 3280, or, when such a standard is not applicable, the Standard for Manufactured Home Installations, ANSI/NCSBCS A225.1, or Standard for Gas Equipped Recreational Vehicles and Mobile Housing, CSA Z240.4. This appliance may be installed in Manufactured Housing only after the home is site located.
- All exhaust gases must be vented outside the structure of the living-area. Combustion air is drawn from outside the living-area structure. The venting must not be connected to a chimney flue serving a separate solid-fuel burning appliance.
- Notify your insurance company before hooking up this fireplace.
- The instructions in this manual must be strictly adhered to. Do not use makeshift methods or compromise in the installation. Improper installation will void the warranty and safety listing.
- This heater is approved for use with natural gas (NG) or propane (LP). Burning the incorrect fuel will void the warranty and safety listing and may cause an extreme safety hazard. Direct questions about the type of fuel used to your dealer.
- Contact your local building officials to obtain a permit and information on any installation restrictions or inspection requirements in your area.
- If the flame becomes sooty, dark orange in color, or extremely tall, do not operate the heater. Call your dealer and arrange for proper servicing.
- It is imperative that control compartments, screens, or circulating air passageways of the heater be kept clean and free of obstructions. These areas provide the air necessary for safe operation.
- Do not operate the heater if it is not operating properly in any fashion or if you are uncertain. Call your dealer for a full explanation of your heater and what to expect.
- Do not store or use gasoline or other flammable liquids in the vicinity of this heater.
- Do not operate if any portion of the heater was submerged in water or if any corrosion occurs. Immediately call a qualified service technician to inspect the appliance and to replace any part of the control system and any gas control which has been under water.

Safety Warnings (continued)

- Because this heater can be controlled by a thermostat there is a possibility of the heater turning on and igniting any items placed on or near the appliance.
- Light the heater using the built-in igniter. Do not use matches or any other external device to light your heater.
- Never remove, replace, modify or substitute any part of the heater unless instructions are given in this manual. All other work must be done by a trained technician. Don't modify or replace orifices.
- The viewing glass should be opened only for conducting service.
- Allow the heater to cool before carrying out any maintenance or cleaning.
- Operate the heater according to the instructions included in this manual.
- If the main burners do not start correctly turn the gas off and call your dealer for service.
- This unit is not for use with solid fuel.
- Do not place anything inside the firebox (except the optional artwork).
- **Warning:** Do not operate appliance with the glass front removed, cracked or broken. Replacement of the glass should be done by a licensed or qualified service person.
- Do not throw this manual away. This manual has important operating and maintenance instructions that you will need at a later time. Always follow the instructions in this manual.
- Instruct everyone in the house how to shut gas off to the appliance and at the gas main shutoff valve. The gas main shutoff valve is usually next to the gas meter or propane tank and requires a wrench to shut off.
- A barrier designed to reduce the risk of burns from the hot viewing glass is provided with this appliance and shall be installed for the protection of children and other at-risk individuals.
- If the barrier becomes damaged, the barrier shall be replaced with the manufacturer's barrier for this appliance.
- Clothing or other flammable material should not be placed on or near the appliance.
- Any safety screen, guard, or barrier removed for servicing an appliance must be replaced prior to operating the appliance.
- Installation and repair should be done by a qualified service person. The appliance should be inspected before use and at least annually by a professional service person. More frequent cleaning might be required due to excessive lint from carpeting, bedding material, et cetera. It is imperative that control compartments, burners, and circulating air passageways of the appliance be kept clean.
- **Travis Industries, Inc. grants no warranty, implied or stated, for the installation or maintenance of your heater, and assumes no responsibility of any consequential damage(s).**

Proposition 65 Warning: Fuels used in gas, woodburning or oil fired appliances, and the products of combustion of such fuels, contain chemicals known to the State of California to cause cancer, birth defects and other reproductive harm. California Health & Safety Code Sec. 25249.6

Features

- Works During Power Outages (battery backup system)
- Blower Included
- Standing or Intermittent (GreenSmart 2) Pilot
- Convenient Operating Controls
- Variable-Rate Heat Output

Installation Options

- Residential or Mobile Home
- Fireplace Insert
- Masonry or Factory Built (Metal) Wood-Burning Fireplace
- Natural Gas or Propane

Heating Specifications

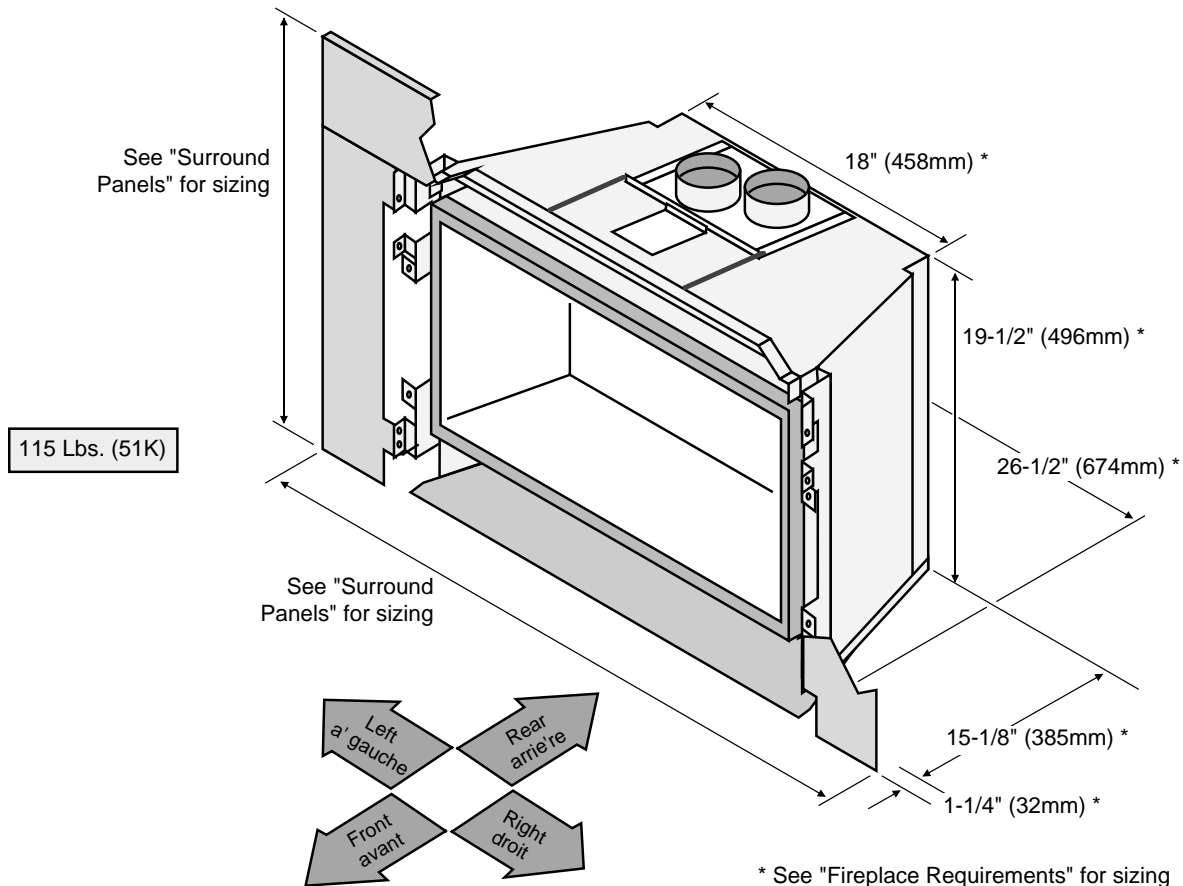
Approximate Heating Capacity (in square feet)*
 Maximum BTU Input Per Hour

Natural Gas
 500 to 1,500
 31,000

Propane
 500 to 1,500
 31,000

* Heating capacity will vary with floor plan, insulation, and outside temperature.

Dimensions



* See "Fireplace Requirements" for sizing details with 1-piece or 3-piece panels.

Electrical Specifications (for optional blower)

Electrical Rating 115 Volts, 1.5 Amps, 60 Hz (180 watt)

Fuel

This heater is shipped in natural gas (NG) configuration but may be converted to use propane (LP) using a conversion kit. The sticker on top of the gas control valve will verify the correct fuel.

Installation Warnings

- **Failure to follow all of the requirements may result in property damage, bodily injury, or even death.**
- **This heater must be installed by a qualified installer who has gone through a training program for the installation of direct vent gas appliances.**
- **The installation must conform with local codes or, in the absence of local codes, with the National Fuel Gas Code, ANSI Z223.1/NFPA 54, or the National Gas and Propane Installation Code, CSA B149.1..**
- **In Manufactured or Mobile Homes must conform with Manufactured Home Construction and Safety Standard, Title 24 CFR, Part 3280, or, when such a standard is not applicable, the Standard for Manufactured Home Installations, ANSI/NCSBCS A225.1. This appliance may be installed in Manufactured Housing only after the home is site located.**
- **The heater is designed to operate on natural gas, or propane (LP).**
- **All exhaust gases must be vented outside the structure of the living-area. Combustion air is drawn from outside the living-area structure.**
- **Notify your insurance company before hooking up this heater.**
- **The requirements listed below are divided into sections. All requirements must be met simultaneously. The order of installation is not rigid – the qualified installer should follow the procedure best suited for the installation.**

Packing List

- Propane Conversion Kit
- Cove Covers
- "Fireplace Altered" tag (attach to the fireplace)
- Button Plug for Surround Panels (see page 18)
- Top Convection Deflector

Additional Items Required

- Media Set (order one of the following):
 - Driftwood Log Set (sku 94500548) - See installation instructions included with the logs.
 - Fyre-Stone Stone Set (sku 94700732) - See instructions included with the stones.
 - Log Set (sku 94400991) – See instructions included with the logs.
- Faceplate
- Simpson Duravent 6-5/8" to 3" & 3" Co-Linear Adapter with flashing
- 3" Diameter Gas Liner (2)
- Direct Vent Cap (Use Simpson Duravent High Wind Cap)
- Gas Line Equipment (shutoff valve, pipe, etc.)

Items Packed with the Face

- Face with attachment hardware (Note: use the cove covers included with the heater)
- Face Installation Instructions

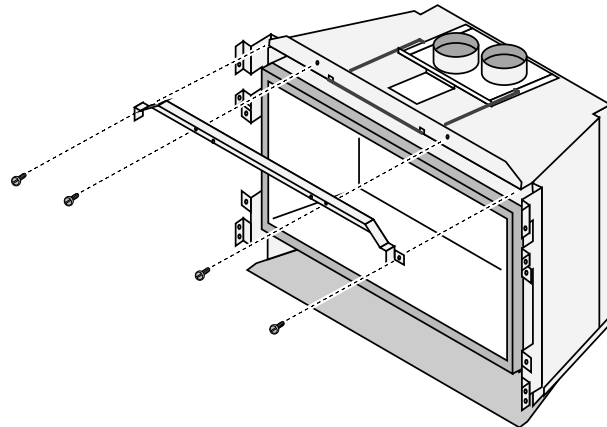
Order of Installation

- 1 If the heater is to use propane, install the propane conversion kit (see page 35).
- 2 Install gas line into the fireplace (do not connect to unit).
- 3 Position the heater.
- 4 Connect the gas line and gas vent to the appliance.
- 5 Install the optional surround panels and trim. Attach the on/off switch.
- 6 Follow the instructions under "Finalizing the Installation" on page 23.

Top Convection Deflector

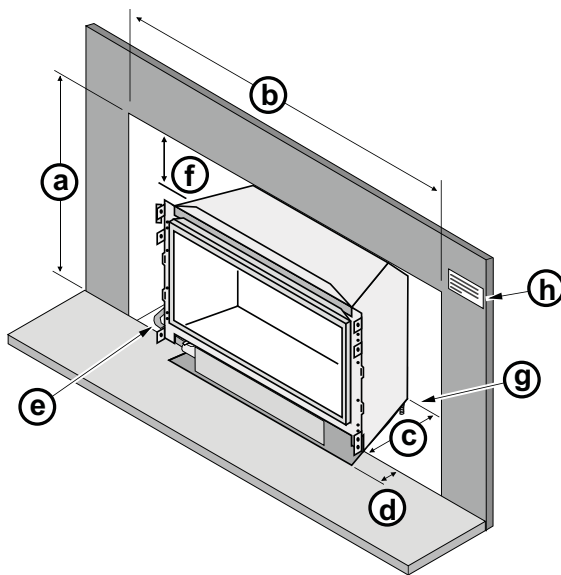
Install the top convection deflector as shown to the right.

The deflector is shipped on top of the insert. The screws are shipped inside the owner's pack.



Fireplace Requirements

- Insert must be placed within a code-conforming masonry fireplace or tested and listed factory-built (metal) wood-burning fireplace. Repair any fireplace damage prior to installation.
- Because the insert uses a circulation blower, clean the fireplace, smoke shelf, and chimney prior to installation.
- This heater may be placed in a bedroom. Please be aware of the large amount of heat this appliance produces when determining a location.



Fireplace Sizing	3-Piece Panel	1-Piece Panel
(a) Minimum Height	19-1/2" (496mm)	20-5/8" (524mm)
(b) Minimum Width	26-1/2" (674mm)	29" (737mm)
(c) Minimum Depth	15-1/8" (385mm) or 15-5/8" (397mm) Arched Faces	16-3/8" (416mm) or 16-7/8" (429mm) Arched Faces
(d) Hearth Extension	1-1/4" (32mm)	0" (0mm)

- (e) The gas and electrical line should be installed prior to installing the heater.
- (f) For tight fits (under 24") see the section "Removing the Vent Connector"
- (g) See "Leveling Bolts" for details on leveling the heater.

- (h) Attach the "This fireplace has been altered..." plate to the fireplace (use two screws or other suitable method). You may wish to place it in a location where it will be covered by the surround panels.

Factory-Built (Metal) Wood-Burning Fireplace Requirements

NOTE: Any parts that are removed must be removed in a way that would allow them to be re-installed if the insert is ever removed (removal of rivets or screws is acceptable).

The damper ("A") and grate (with log set) ("B") must be removed (see the illustration below)

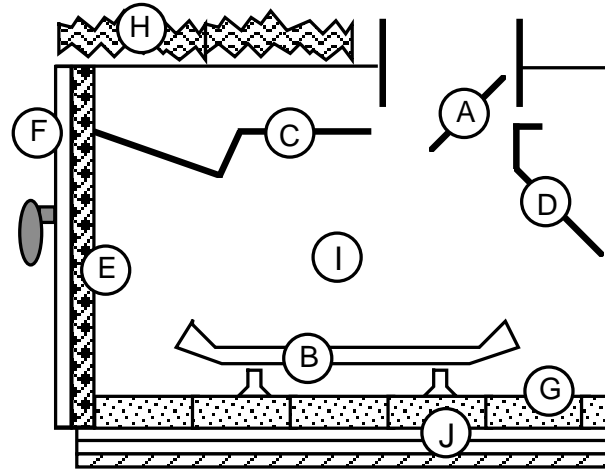
The smoke shelf ("C"), internal baffles ("D"), screen ("E"), masonry lining or refractory ("G" & "I"), and metal or glass doors ("F") may be removed (if applicable)

The fireplace must be permanently marked to indicate that it has been altered and is no longer suitable for burning solid fuel (wood), unless the removed parts are re-installed. Cutting of any metal or glass parts is prohibited.

The insulation ("H"), and any structured rigid frame members must not be removed or altered (side and top of door frame, side and top of the face of the fireplace, metal sides, etc.).

The metal floor ("J") may be removed to allow additional room for installation of the insert. If the floor is removed the insert must be placed directly on the metal base of the metal fireplace.

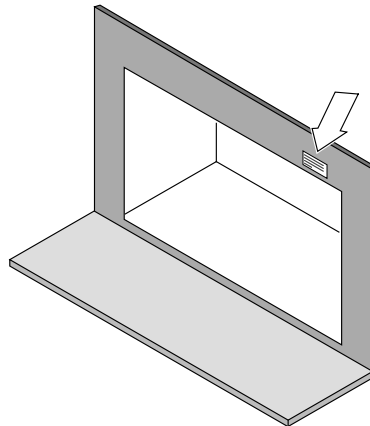
The surround panels should not seal ventilation openings on the fireplace.



If the factory-built fireplace has no gas access hole(s) provided, an access hole of 1.5 inch (37.5 mm) or less may be drilled through the lower sides or bottom of the firebox in a proper workmanship like manner. This access hole must be plugged with non-combustible insulation after the gas supply line has been installed.

Fireplace Altered Tag

Attach the "This fireplace has been altered..." plate to the fireplace (use two screws or other suitable method). You may wish to place it in a location where it will be covered by the surround panels.



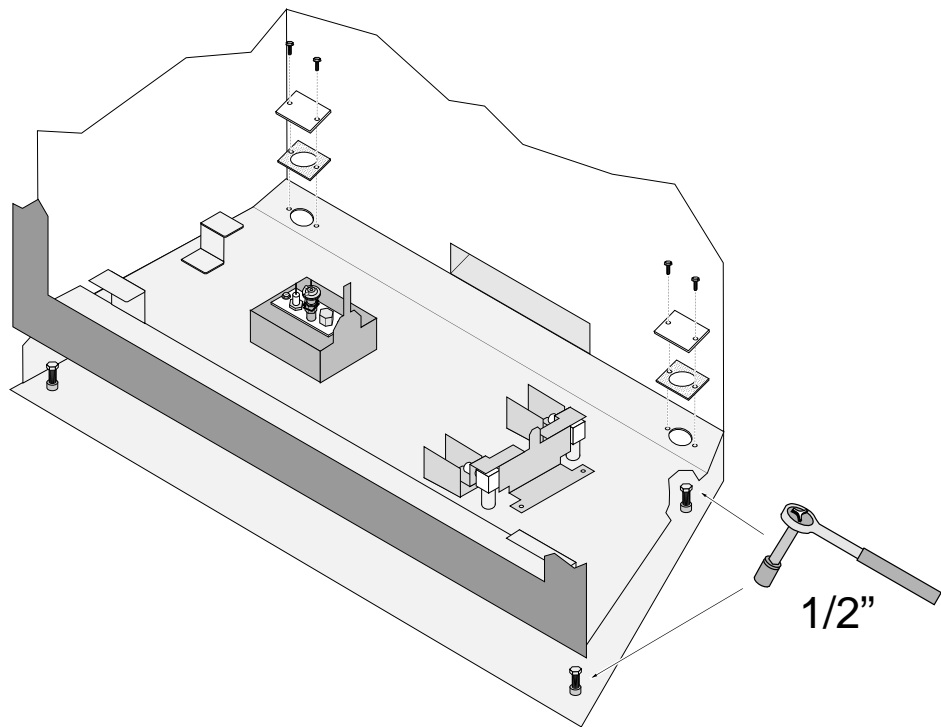
Hearth Requirements

The heater and face must not contact combustible surfaces. A non-combustible hearth extension is not required. However, if the heater is installed next to the floor, we recommend a hearth to protect the flooring surface from discoloration or other negative impact from the heater.

Leveling Bolts

This heater includes front and rear leveling bolts to accommodate fireplaces with a step-down firebox.

NOTE: To access the rear leveling bolts, remove the cover plates and gaskets (replace after adjustment).

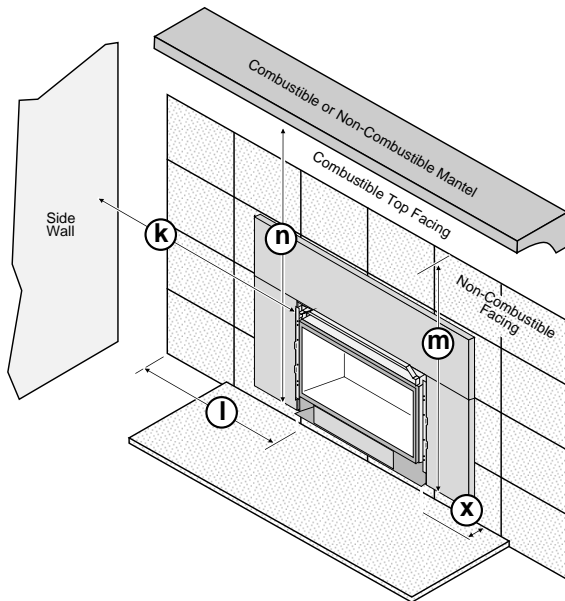


Electrical Requirements

- Route the power cord out of the access hole on the right side of the appliance.
- Plug the power cord into a grounded 120 Volt outlet (do not remove the grounding pin).
- The electrical connection may also be made using the optional Wiring Kit (SKU 97200315).
- The appliance, when installed, must be electrically grounded in accordance with local codes or, in the absence of local codes, with the *National Electrical Code*, *ANSI/NFPA 70*, or the *Canadian Electrical Code*, *CSA C22.1*.

Clearances

Due to the high temperature of the heater, it should be located out of traffic and away from furniture and draperies.



	Minimum Clearances
k Sidewall to Insert	4-1/2" 115mm
l Side Facing (non-combustible)	4-1/2" 115mm
m Top Facing* (non-combustible)	35" 889mm
n Mantel* (combustible or non-combustible)	35" 889mm
x Hearth Extension (3-Piece Panel)	1-1/4" 32mm
x Hearth Extension (1-Piece Panel)	0" 0mm

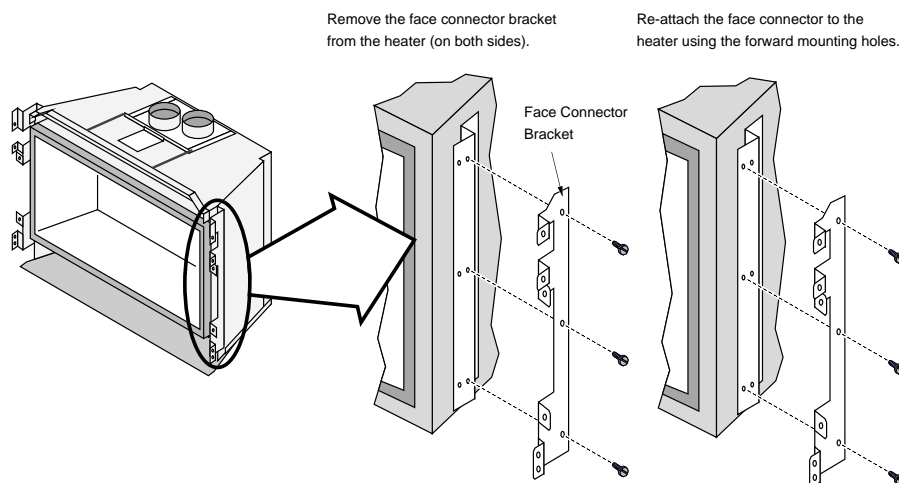
Mantel Clearances

The maximum mantel depth is 12" (305mm).

NOTE: The combustible area above the facing must not protrude more than 3/4" (20mm) from the facing. If it does, it is considered a mantel and must meet the mantel requirements listed in this manual.

Modifying the Face Connector for Discovery, Rosario, and Artisan Faces

The Discovery, Rosario, and Artisan face require re-positioning of the face connector. See the directions below for details.



Gas Line Requirements

MASSACHUSETTS INSTALLATIONS - **WARNING:**

THIS PRODUCT MUST BE INSTALLED BY A LICENSED PLUMBER OR GAS FITTER WHEN INSTALLED WITHIN THE COMMONWEALTH OF MASSACHUSETTS.

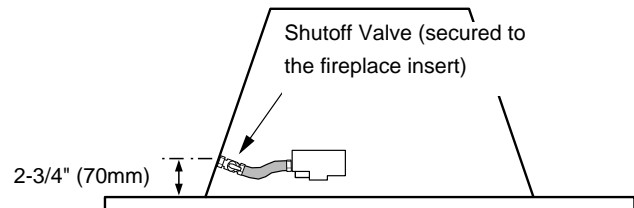
OTHER MASSACHUSETTS CODE REQUIREMENTS:

- Flexible connector must not be longer than 36 inches.
- Shutoff valve must be a "T" handle gas cock.
- Only direct vent sealed combustion products are approved for bedrooms or bathrooms.
- Fireplace dampers must be removed or welded in the open position prior to the installation of a fireplace insert or media.
- A carbon monoxide (CO) detector is required in the same room as the appliance.

- The gas line must be installed in accordance with all local codes, if any; if not, follow ANSI 223.1 and the requirements listed below.
- A manual shutoff valve is required within 3' of the heater. It should be placed upstream of the flex line (if used) and may be installed behind the access door inside the heater.).
- The heater and gas control valve must be disconnected from the gas supply piping during any pressure testing of that system at test pressures in excess of 1/2 psig. For pressures under 1/2 psig, isolate the gas supply piping by closing the manual shutoff valve.
- Leak test all gas line joints and the gas control valve prior to and after starting the heater.
- This heater is designed either for natural gas or for propane (but not for both). Check the sticker on the top of the gas control valve to make sure the correct fuel is used (see illustration on page 4).
- Installation must be performed by a qualified installer, service agency or the gas supplier (In Massachusetts a licensed plumber/gasfitter).

Gas Line Location

- The gas inlet accepts a 1/2" MPT.



Gas Inlet Pressure

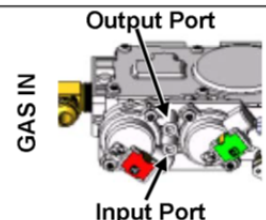
Gas Pressure	Max. Input Pressure	Min. Input Pressure	Max. Manifold Pressure	Min. Manifold Pressure
Natural Gas	7" W.C. (1.74 kPA)	5.5" W.C. (1.37 kPA)	3.5" W.C. (0.87 kPA)	1.6" W.C. (0.40 kPA)
Propane	13" W.C. (3.23 kPA)	11" W.C. (2.74 kPA)	11" W.C. (2.74 kPA)	2.9" W.C. (0.72 kPA)

- If the pressure is not sufficient, make sure the piping used is large enough, the supply regulator is adequately adjusted, and the total gas load for the residence does not exceed the amount supplied.
- The supply regulator (the regulator that attaches directly to the residence inlet or to the propane tank) should supply gas at the suggested input pressure listed above. Contact the local gas supplier if the regulator is at an improper pressure.

Directions for Connecting a Gas Pressure Test Gauge

The gas control valve (shown to the right) has two test ports for testing input (line pressure) and output (manifold) pressure. Loosen the brass screw on either test port and place a 5/16" i.d. rubber or plastic tube over the tapered test port. Connect the tube to the test gauge.

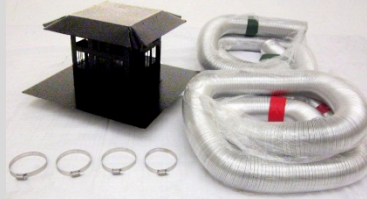
WARNING: The brass screw must be tightened after testing to prevent gas leakage.



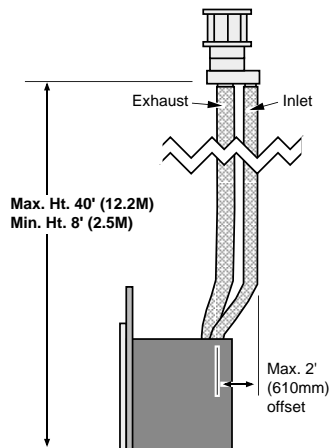
- If the pressure is not sufficient, make sure the piping used is large enough, the supply regulator is adequately adjusted, and the total gas load for the residence does not exceed the amount supplied.
- The supply regulator (the regulator that attaches directly to the residence inlet or to the propane tank) should supply gas at the suggested input pressure listed above. Contact the local gas supplier if the regulator is at an improper pressure.

Vent Requirements

Travis Industries manufactures a vent kit specifically for this insert (sku 96200330). It includes 30' (10M) of vent, hose clamps, and a prairie cap. The flashing on the cap is 18" (458mm) by 18" (458mm).



- The gas appliance and vent system must be vented directly to the outside of the building, and never be attached to a chimney serving a separate solid fuel or gas-burning appliance. Each direct vent gas appliance must use its own separate vent system.
- Make sure the exhaust pipe on the heater connects to the exhaust portion of the cap. The illustrations below show how the flex liners should be attached.
- The exhaust vent must reline the entire length of the chimney and terminate above the chimney top.
- Be careful not to crimp or rupture the liner when bending it into chimney offsets.
- When installed, the vent must meet all of the vent manufacturer's requirements.
- Use the following vent:
 - 3" UL 441 or 1777 Gas Liner for Exhaust and Air Inlet
 - Duravent Chimney Liner Termination Kit (3" & 3" Co-Linear to 6-5/8" Co-Axial w Flashing)
 - Simpson Duravent High-Wind Vertical Termination Cap (46DVA-VCH) or Prairie Cap



Altitude Considerations

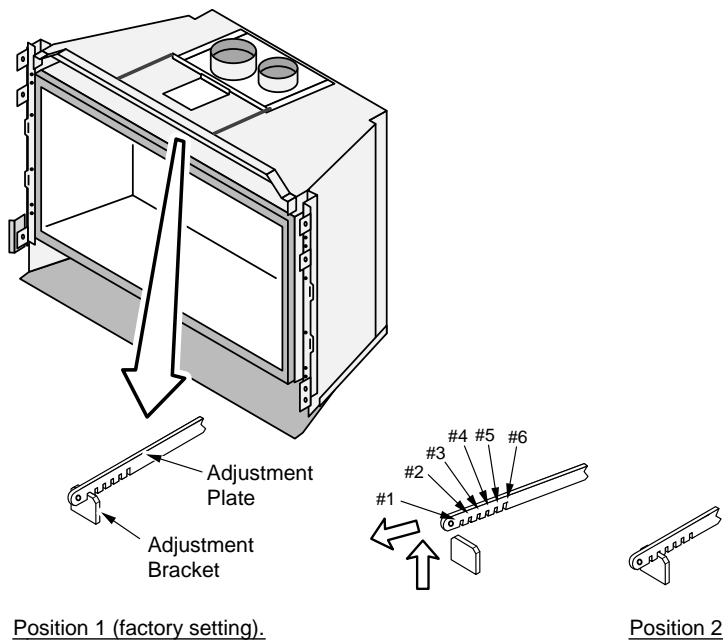
- This heater has been tested at altitudes ranging from sea level to 6,000 feet (1,800 M). In this testing we have found that the heater, with its standard orifice, burns correctly with just an air shutter adjustment.
- Failure to adjust the air shutter properly may lead to improper combustion which can create a safety hazard. Consult your dealer or installer if you suspect an improperly adjusted air shutter.

Vent Restrictor

WARNING: Restrictor adjustment should only be done by a qualified installer.

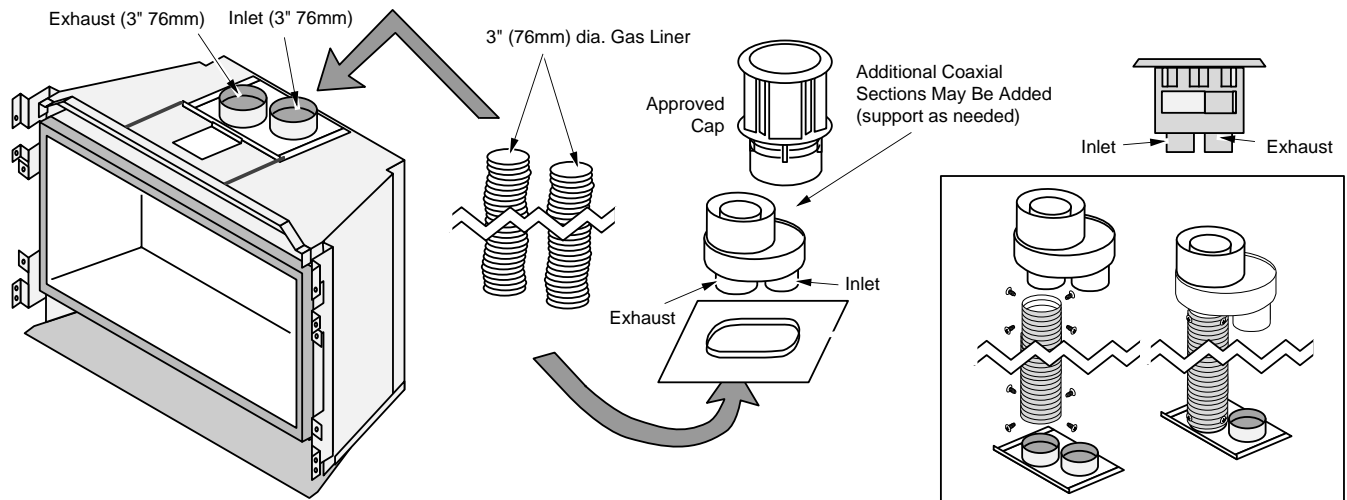
Only those installations determined to be over-drafting require this adjustment. The best indication of over-drafting is a hyper-active flame pattern (flames that move too quickly). If the air shutter is constricted, the flames become short and yellow, yet still very active. Over-drafting may affect the pilot, but this is not the best way to determine over-drafting. Over-drafting is most likely in tall venting configurations. Do not over-restrict the vent (this leads to ghosting or lifting flames - reduce restrictor setting).

The restrictor is adjusted with the face removed. Start with the restrictor in position number 1. Monitor the flame for 5 minutes before adjusting. Move the restrictor a maximum two positions at a time by lifting the adjustment plate and moving it until the correct notch falls into the slot on the adjustment bracket (use a glove if the heater is hot - see illustration below). Monitor the flame for 5 minutes to determine correct restrictor position and repeat restrictor adjustment if necessary.



Vent Installation

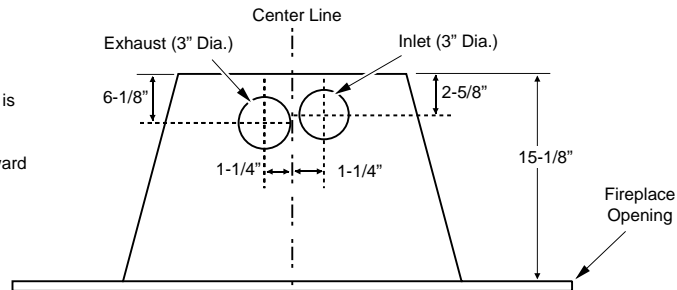
Secure the vent to the fireplace insert and termination kit using screws.



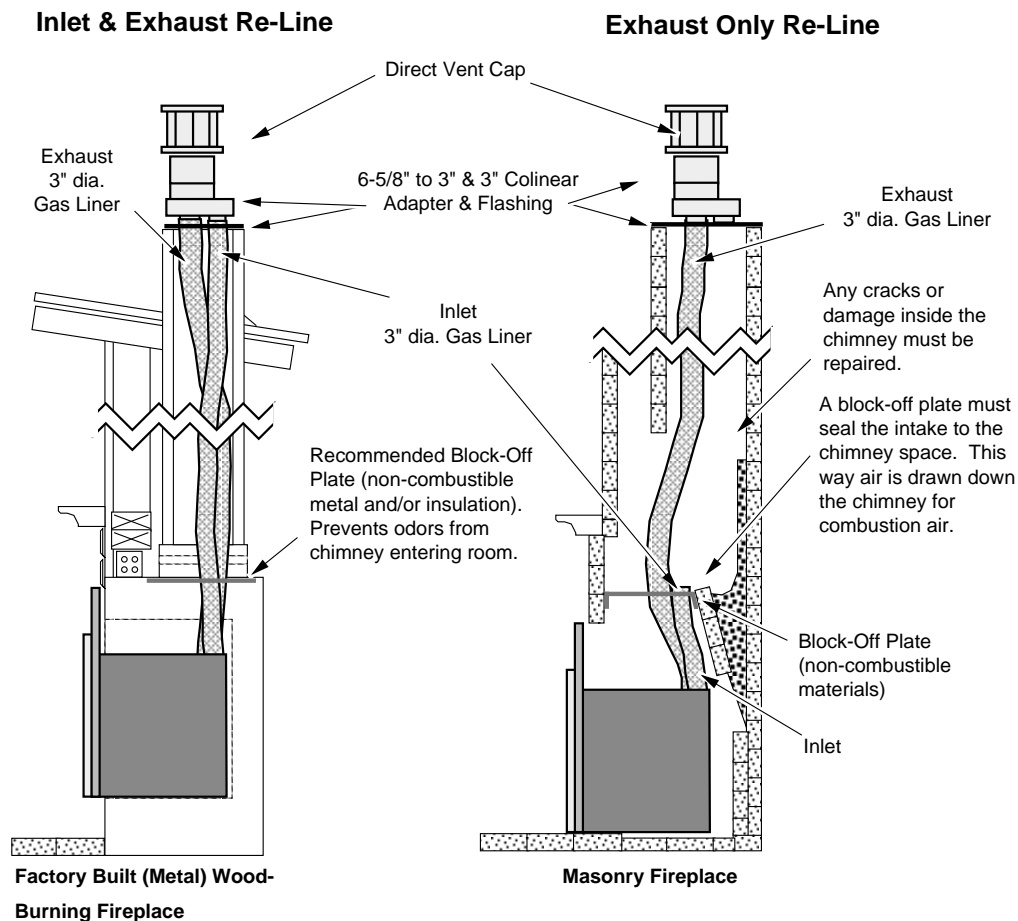
Vent Location

- A vent restrictor is built into the appliance to adjust the flow rate of exhaust gases. This ensures proper combustion for all vent configurations. Depending upon the vent configuration, you may be required to adjust the restrictor position.
- **NOTE:** The vent location changes based upon restrictor position. Position # 1 is shown below. Each restrictor position moves the vent location forward (toward the fireplace opening) approximately $\frac{1}{4}$ " (7mm).

NOTE: Vent location changes based upon restrictor position. Position # 1 is shown to the right. Each restrictor position moves the vent location forward (toward the fireplace opening) approximately $\frac{1}{4}$ ".



Vent Configurations

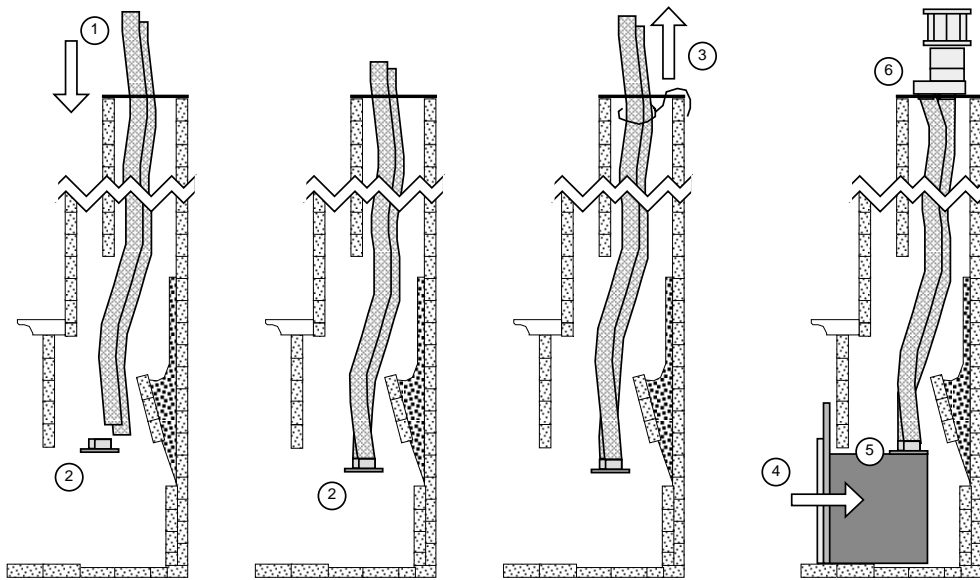


NOTE: You may use either re-line configuration with a masonry or zero-clearance fireplace.

CAUTION: The "Exhaust Only Re-line" is not covered under the appliance safety standard (ANSI Z21.88 CSA 2.33) used in the safety certification of this appliance. The Intertek safety certification does not apply to this installation. Before installing the appliance using this method, contact the Authority Having Jurisdiction to determine if this installation is acceptable in your area. This type of installation requires a minimum chimney cross section of 48 square inches.

Vent Connector Removal and Installation

- The vent connector is shipped attached to the insert, but may be removed to facilitate tight installations. See the directions below for installation.
1. Route the flex vent through the chimney from above (leave an extra 3' at the top). Make sure the flex is thoroughly stretched.
 2. Remove the vent connector and attach it to the flex vent (see the instructions on the following page). NOTE: be careful of the anti-seize on the connector – it will stain clothing, etc.
 3. Pull on the flex vent until the vent connector is at the same height as the insert. Temporarily attach the flex vent to the top of the chimney (leave extra slack).
 4. Slide the insert into place, guiding the vent connector into the guides on top of the insert.
 5. Attach the vent connector to the appliance (see the following page for details).
 6. Remove any excess slack in the flex line and attach the vent termination.

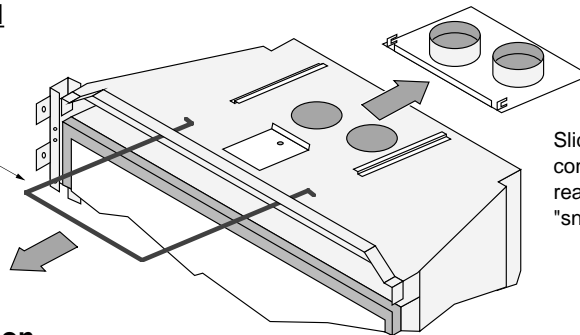


Vent Connector Removal and Installation (continued)

Vent Connector Removal

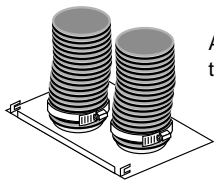
Pull the vent connector rod forward.

WARNING: The anti-seize on the vent connector can stain clothing, carpets, or other items.

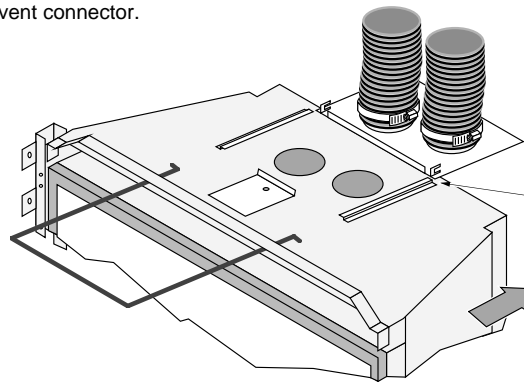


Slide the connector to the rear. It will "snap" out.

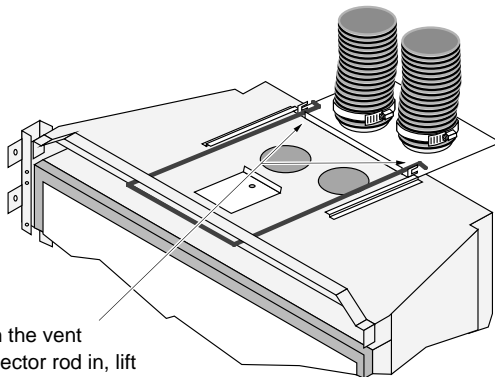
Vent Connector Installation



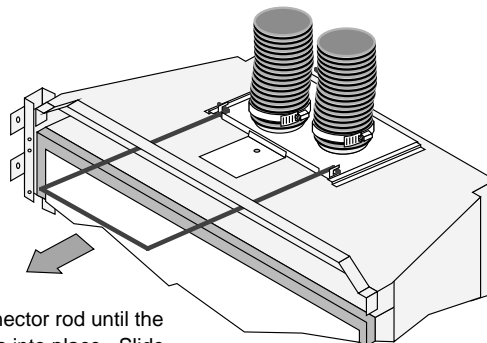
Attach the flex vent to the vent connector.



Slide the insert into place, lining up these guides with the edges of the vent connector.



Push the vent connector rod in, lift slightly, and line it up so the tabs on the end of the rod engage the hooks on the vent connector



Pull on the vent connector rod until the vent connector snaps into place. Slide the vent connector rod in to conceal it.

Surround Panel Installation

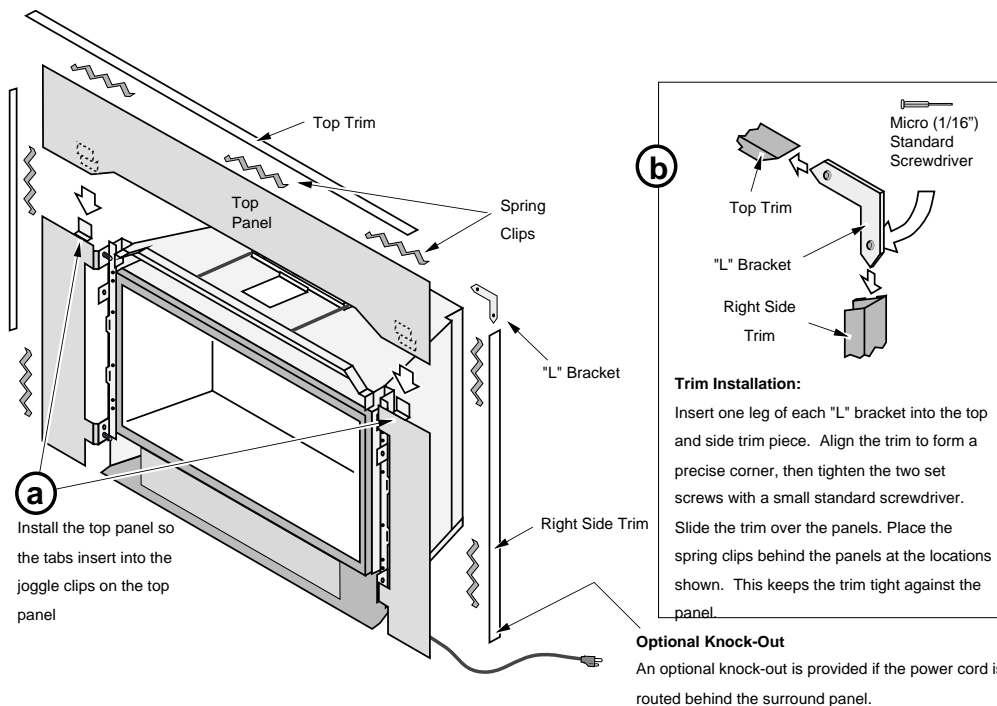
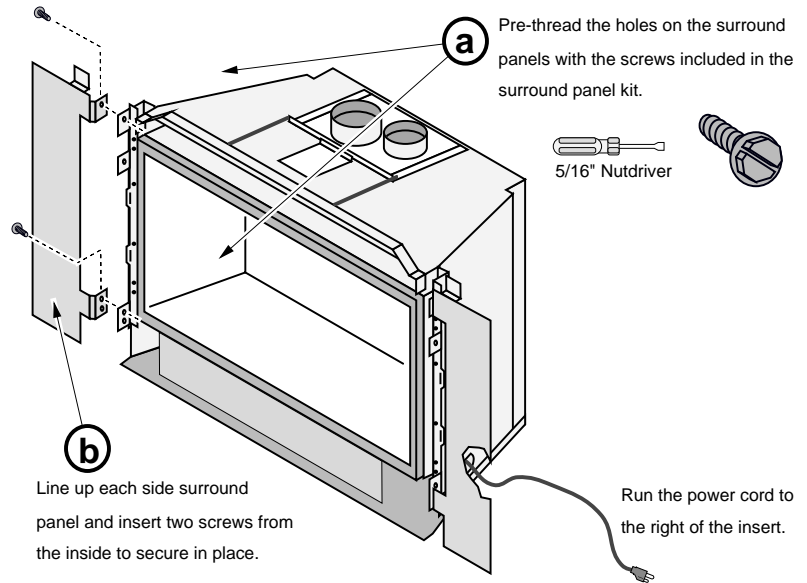
NOTE: The insert may be installed without surround panels.

3-Piece Surround Panels

PANEL SIZE	WIDTH	HEIGHT	PART #
8" x 10" Rectangular	40-3/8"	28-7/8"	96100301
Arched (8" x 10")	40-3/8"	28-7/8"	98500605
10" x 13" Rectangular	44-3/8"	31-7/8"	96100302
4" x 6" Rectangular	37-1/8"	25"	96100300

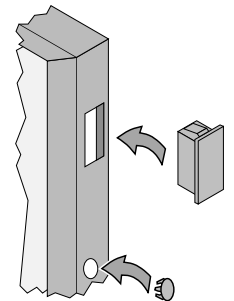
1 Follow the directions to the right to install the side panels.

2 Follow the directions below to install the top panel.



COVER PLUGS FOR ON/OFF SWITCH AND RHEOSTAT

Install the button plug and switch plug into the surround panel trim to conceal the mounting holes (see the illustration below).



1-Piece Surround Panel

- DVS – 25" by 38" 96100318
- DVS – 28-1/2" by 40" 96100324

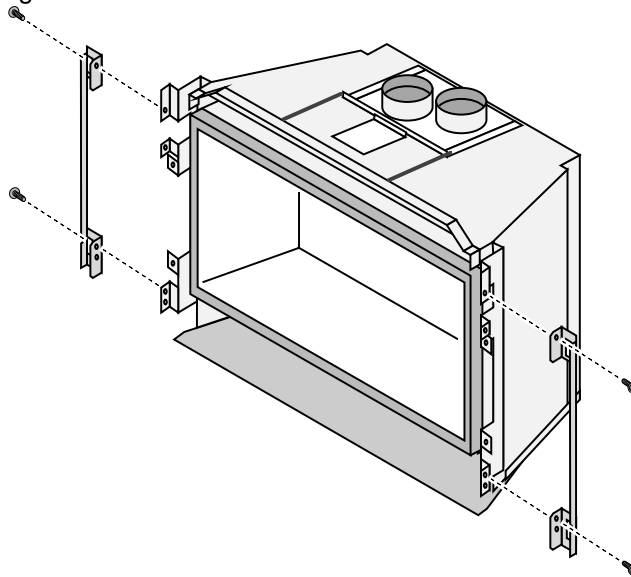
NOTE: The panels may be cut down in size and placed within the fireplace opening.

Routing the Power Cord

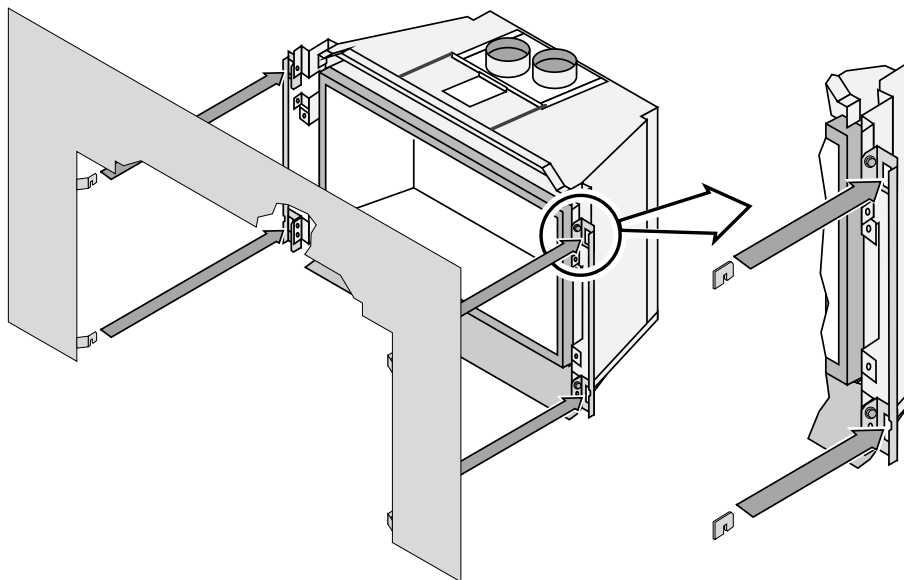
Because this panel fits flush against the fireplace facing, the panel does not have a notch allowing the power cord to exit the fireplace. We recommend using the insert wiring kit (sku 97200315) to route power to the insert. Otherwise, route the power cord behind the panel to the right side (the panel or fireplace may be notched, if required).

Installation

1. Attach the mounting brackets as shown below.

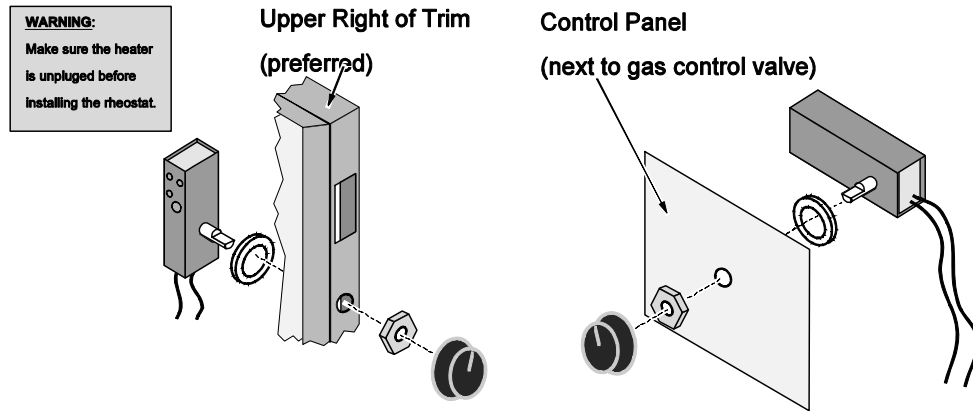


2. Attach the surround panel as shown below.



Rheostat Installation

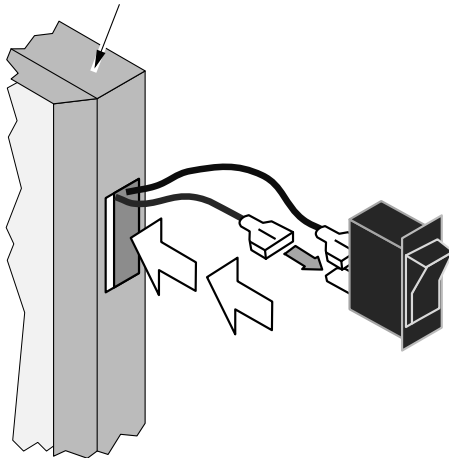
The rheostat is installed in the control panel (1-piece panels) or on the surround panel (3-piece panels). If installing in the surround panel, use the included extension wires (extension wires not required if mounted in control panel). Attach the rheostat wires to the wiring harness and secure to either the control panel or surround panel. Make sure the wires do not contact any hot or moving parts.



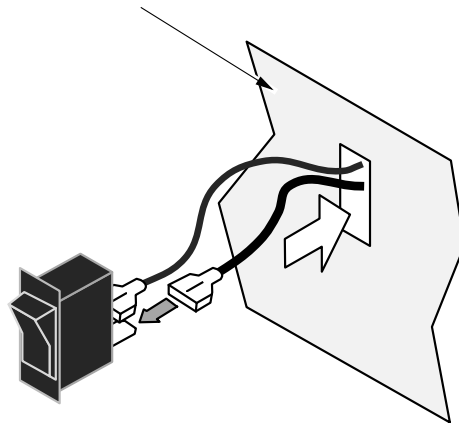
On/Off Switch Installation

The on/off switch may be installed in the surround panel (preferred for 3-piece panels) or control panel (on 1-piece panel or inside-fit panels). See below for installation details.

Upper Right of Trim
(preferred)



Control Panel
(next to gas control valve)



- 1 Disconnect the red and brown wires leading to the on/off switch.
- 2 Insert the wires through the rectangular mounting hole.
- 3 Attach the wires to the top and bottom posts on one side of the switch. It does not matter which wire is on top.
- 4 Press the switch into the rectangular mounting hole until it locks into place.

Glass Frame Removal and Installation



A barrier designed to reduce the risk of burns from the hot viewing glass is provided with this appliance and shall be installed for the protection of children and other at-risk individuals.



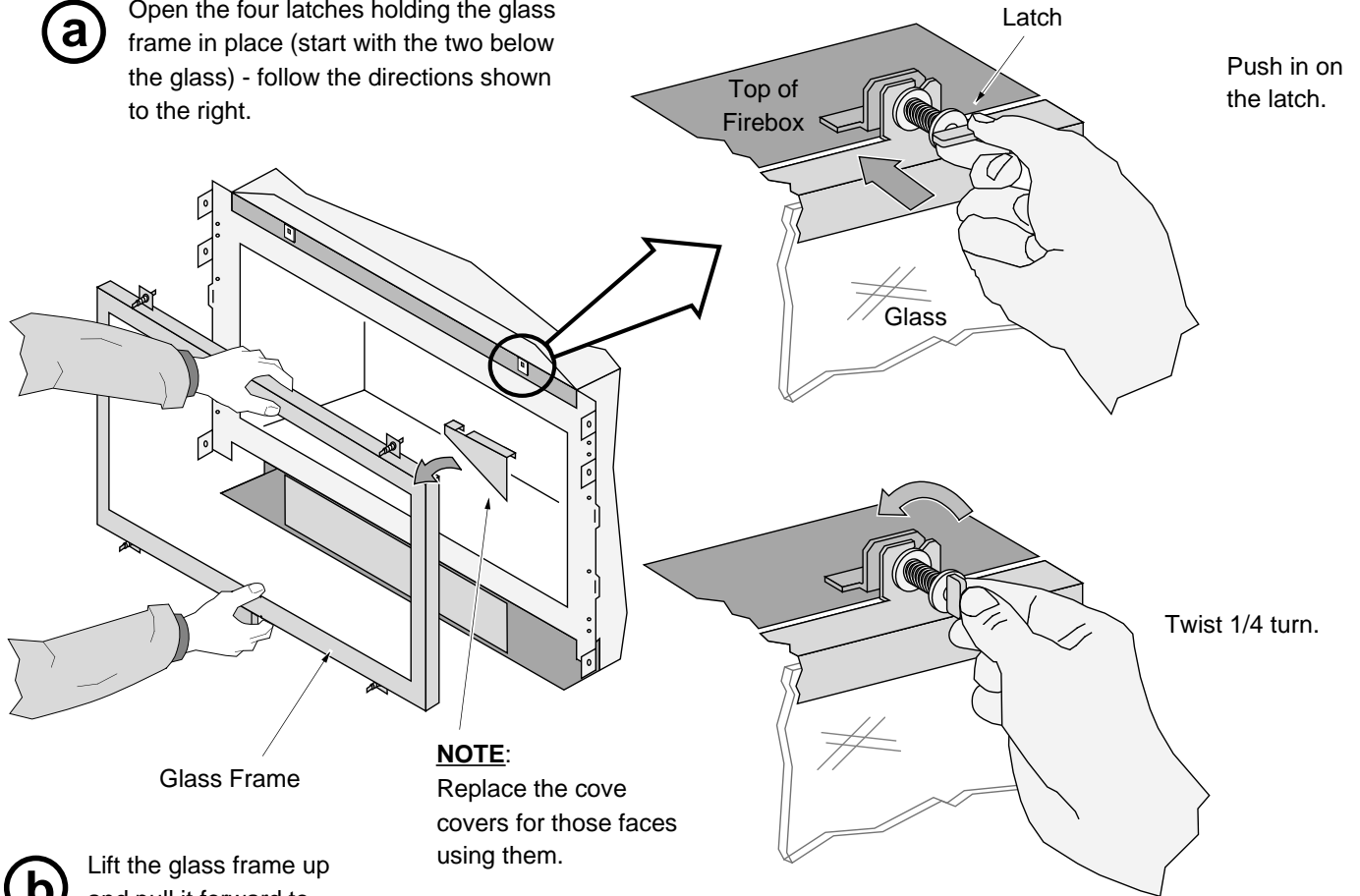
If the barrier becomes damaged, the barrier shall be replaced with the manufacturer's barrier for this appliance.



The appliance must be completely cool before removing the glass.
Do not strike or slam the glass.

a

Open the four latches holding the glass frame in place (start with the two below the glass) - follow the directions shown to the right.

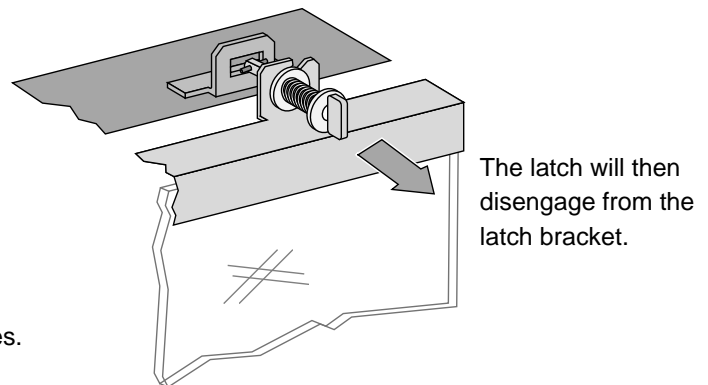


b

Lift the glass frame up and pull it forward to remove. **NOTE:** You may need to lift the glass frame while re-attaching.

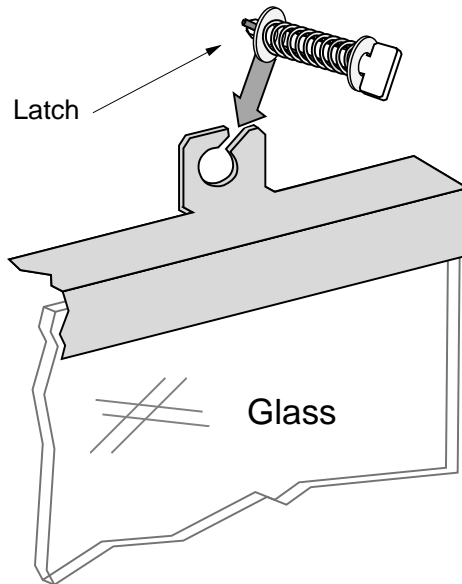
Re-Attaching the Glass Frame:

- Hang the glass frame on the firebox.
- While holding in place, attach the upper latches (follow the instructions to the right in reverse).
- Lift the glass frame slightly and attach the lower latches.

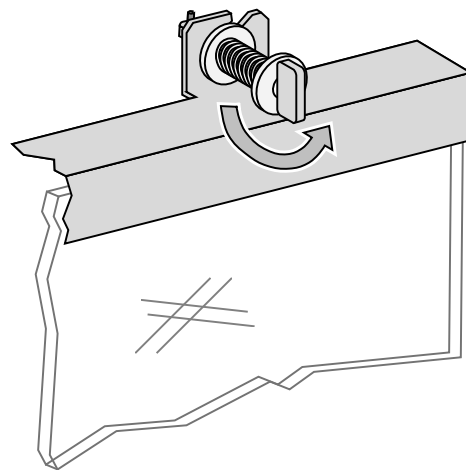


Glass Frame Removal and Installation (continued)

The glass latch can come loose from the glass frame. This occurs when the latch is turned 1/8 turn when disengaged from the unit. Follow the directions below to re-install the latch if it comes loose.



Hold the latch at an angle and insert it into the slot on the glass frame. Note how the washer fits in front of the flange on the glass frame. You will need to push slightly to get the latch to insert.



Once fully inserted, turn the latch until it is level.

Media Installation (Log, Stone, or Driftwood)

- ! **The logs are fragile, especially after being exposed to heat.**
- Make sure the gas control valve is "OFF" and the heater is cool prior to conducting service.
- Failure to position the parts in accordance with diagrams or failure to use only parts specifically approved with this appliance may result in property damage or personal injury.
- If using propane (LP), convert the appliance before installing the media (see page 35).
- The burner must be correctly positioned before installing the media. Make sure the burner is fully seated and the pilot is properly aligned. See page 35 for details on burner removal.

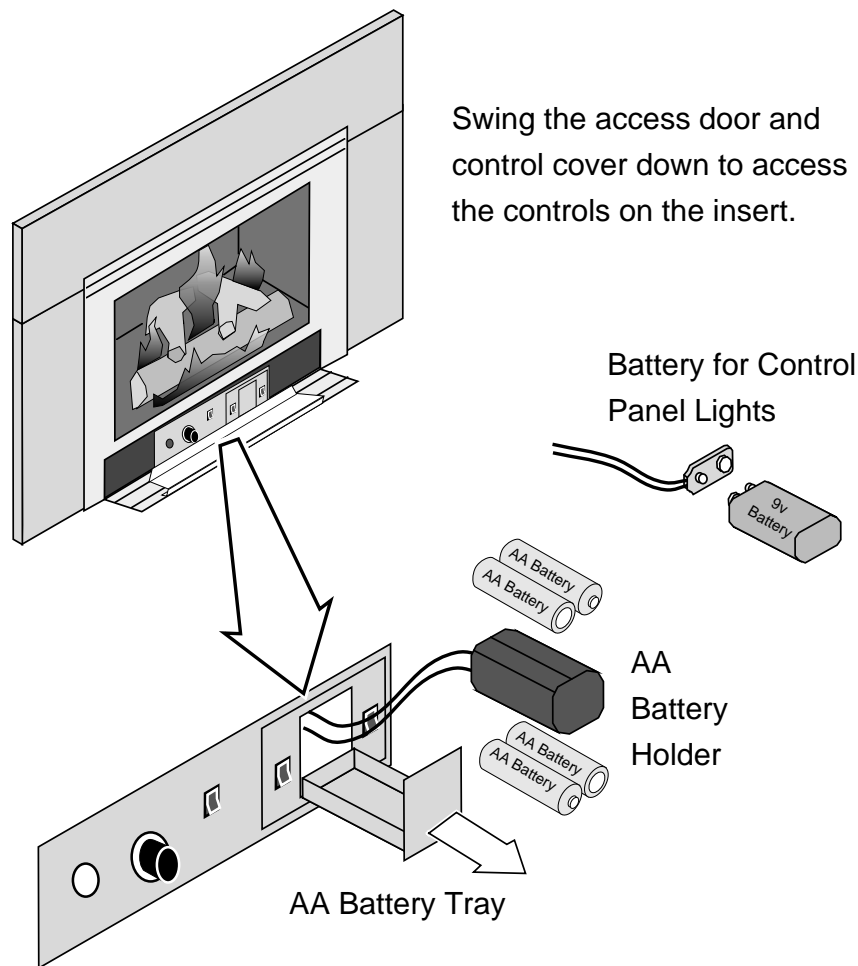
For installation instructions, consult the instructions included with the log, stone, or driftwood.

Steps for Finalizing the Installation

1. Remove the glass (see page 21).

NOTE: If using propane (LP) convert the appliance prior to installing the media.

2. We recommend you purge the gas line at this time (with the glass removed). This allows gas to be detected once it enters the firebox, ensuring gas does not build up.
3. Install the four AA batteries (included in the owner's pack) into battery holder (see the illustration below). The AA batteries act as a power backup in case the household (AC) power goes out and are required for operation. Install the 9v battery (included in the owner's pack) into control panel light assembly (see the illustration below). The battery holder is held in place with Velcro and may be removed for easier access.

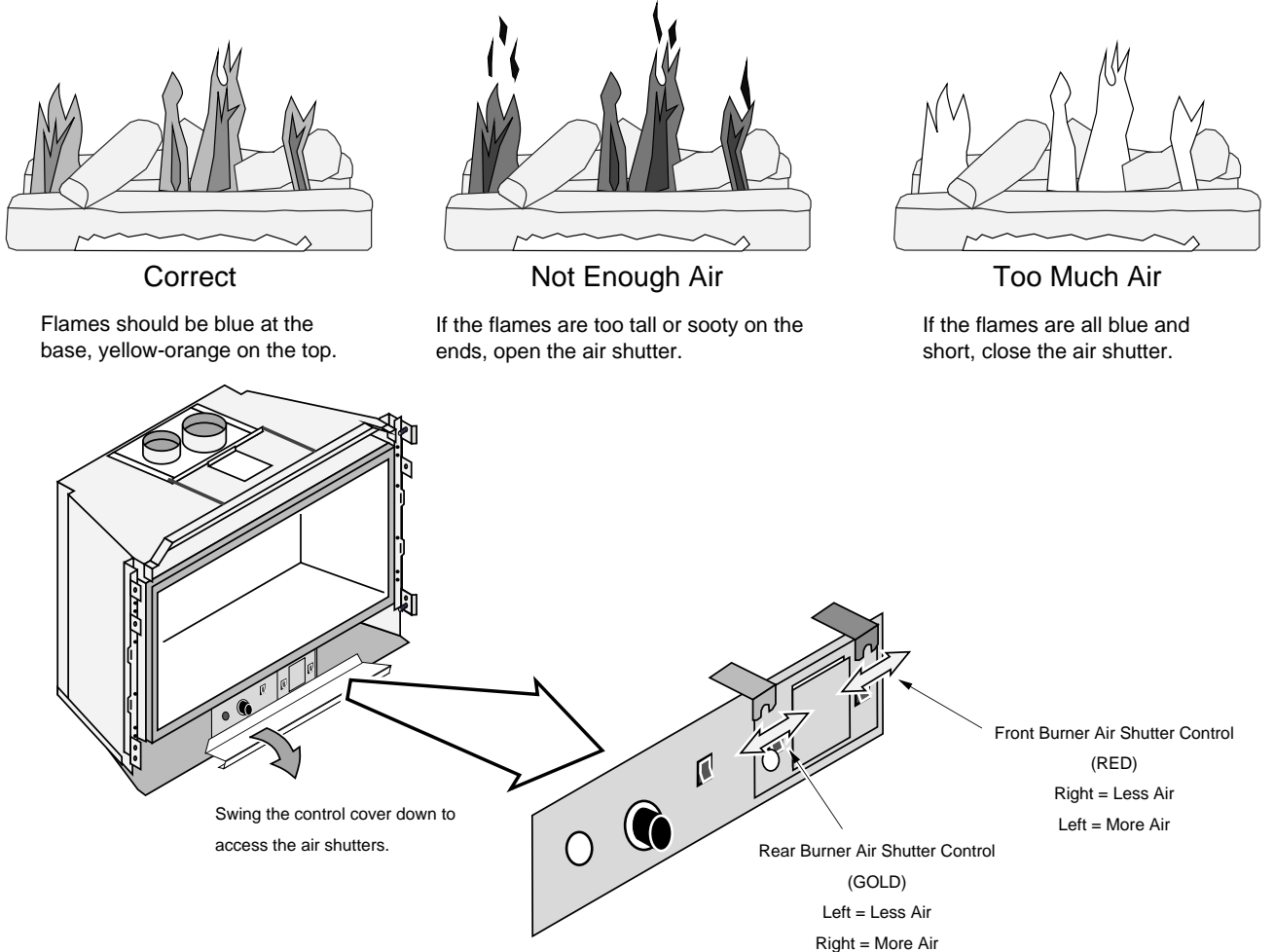


4. Install the media (and firebacks, if applicable).
5. Replace the glass.
6. Start the heater.
7. Leak test all gas joints.

8. Check the air shutter following the directions below.

Air Shutter Adjustment

Let the heater burn for fifteen minutes (make sure the media and glass are in place). The flames should be yellow with no sooting. Adjust the air shutter, if necessary, to achieve the correct looking flame.



9. Attach the face following the directions included with the face.

NOTE: If using a Rosario or Discovery face you will need to modify the face connector (see page 11 for details).

10. Adjust the flame to its highest position - the flames should not contact the top of the firebox. Check the flame on low position. The flames should burn off of each burner hole. If the heater does not work correctly, contact your Travis dealer for a remedy.
11. Give this manual to the home owner for future reference and fully explain operation of this heater.

Before You Begin

- Read this entire manual before you use your new heater (especially the section "Safety Precautions" on pages 4 & 5). Failure to follow the instructions may result in property damage, bodily injury, or even death.

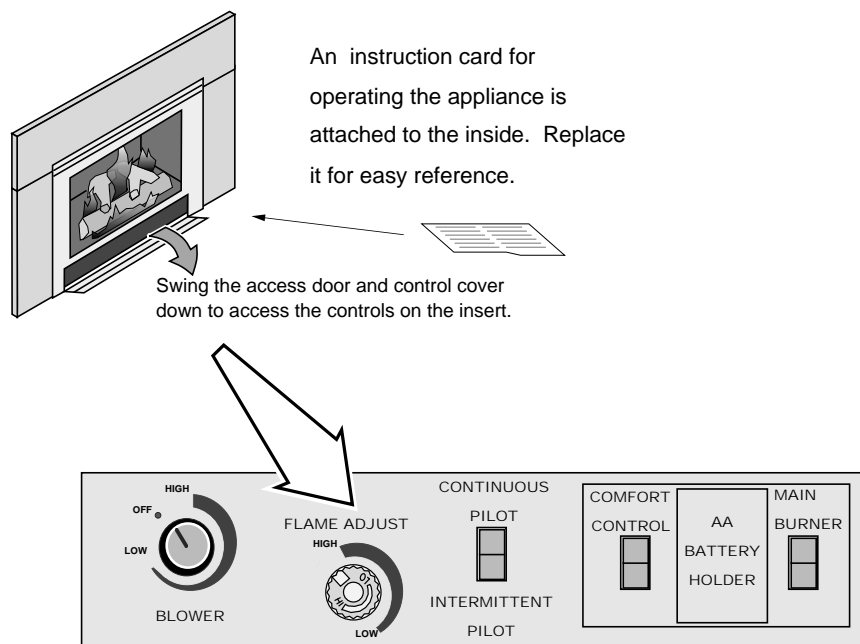


Turn off the main gas supply to the appliance during appliance installation or maintenance.



During appliance installation or maintenance or in case of remote control malfunction turn off the main gas supply.

Location of Controls



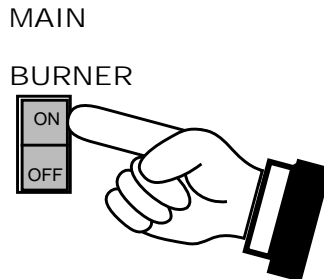
Blower Control	This knob controls the speed of the internal convection blower that pushes heated air into the room.
Flame Adjust Knob	This knob controls the flame height from low ("LO") to high ("HI").
Continuous Pilot – Intermittent Pilot	This switch controls how the pilot flame works. See the section "Continuous/Intermittent Pilot" for details.
Comfort Control	This switch turns the rear burner on and off.
AA Battery Holder	This holder contains 4 AA batteries that allow the fireplace to operate during power outages.
Main Burner	This switch turns the fireplace burners on and off.

Starting the Heater for the First Time

- Burn the heater at a high setting with the blower off for an extended period (up to 48 hours). This will cure the painted surfaces. **Fumes** from the paint curing and oil burning off the steel will occur. This is normal. We recommend opening a window to vent the room.
- **Condensation** may appear on the glass each time you start the heater - this is normal.
- **Blue Flames** will occur on the heater when it first comes on. After fifteen minutes the flames will turn a more realistic yellow and orange color.
- Verify the power backup and control light batteries are installed (see page 29).
- Certain installations use a remote, thermostat, or wall switch to turn the fireplace on and off. If this is the case, the ON/OFF may be required to be in the "ON" or "OFF" position (consult your installer).

Turning the Fireplace On and Off

Use the main burner switch to turn the main burner on and off.



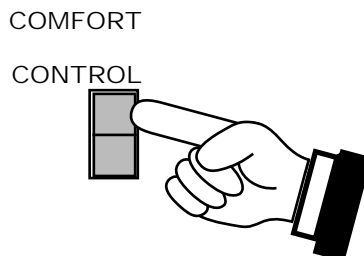
NOTE FOR REMOTES, THERMOSTATS, OR WALL SWITCHES:

The on/off switch on the fireplace may be required to be left in the ON or OFF position for the fireplace to operate. Consult your installer or dealer for details.

- Do not place any combustible items on top of or directly in front of the fireplace, even temporarily. An optional thermostat may start the fireplace causing a combustible item to ignite.
- If the fireplace turns on and off frequently while using the thermostat, you may want to adjust the flame height down until it produces just enough heat needed.

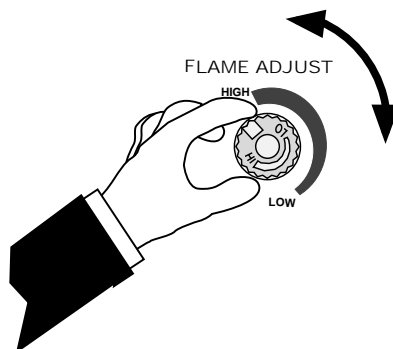
Comfort Control

The rear portion of the burner may be shut off to lower the heat output and flame size from the burner (this is called the comfort control). Use the comfort control switch to adjust this as desired.



Adjusting the Flame Height

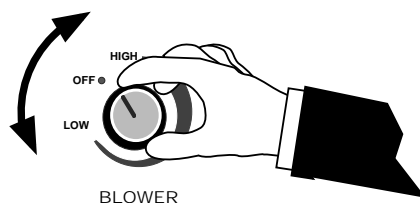
This fireplace has an adjustable flame to tailor the look and heat output to your specific needs. It is adjusted by turning the flame adjust knob.



Adjusting the Blower Speed

The blower helps transfer heat from the heater into the room. It will not turn on until the heater is up to temperature (approximately 15 minutes after starting). See the illustration below for instructions on adjusting the blower speed.

NOTE: With the rear burner off (comfort control), the heater may not become hot enough for the blower to turn on.



Continuous/Intermittent Pilot Switch

This heater may run with the pilot continuously running or in intermittent mode. For most homeowners, the intermittent mode is preferred (this saves fuel, doesn't give off un-needed heat). However, in some situations the homeowner may prefer to switch the heater to continuous pilot. The most typical reasons for switching to continuous pilot are:

- Very Cold Conditions – in very cold conditions you may notice that the burner does not light quickly, and the flames lift off the burner. If this is situation, we recommend you switch to continuous pilot. This will create a slight draft in the vent, allowing for the burner to light quickly and draft correctly.
- Excessive Condensation on Glass After Startup – certain installations may encounter excessive fogging on the window after startup (not just the first time the heater was started). This is an aesthetic condition that may be remedied by switching the heater to continuous pilot.
- Cold Glass or Heater Front – in very cold conditions you may notice that the heater front and glass become very cold. To remedy this, switch the heater to continuous pilot.
- Frequent On / Off Operation – if you are frequently turning the heater on and off, you may wish to leave it in continuous pilot. This allows the burner to turn on more quickly, without pilot ignition delay.

Normal Operating Sounds

Extinction Pops

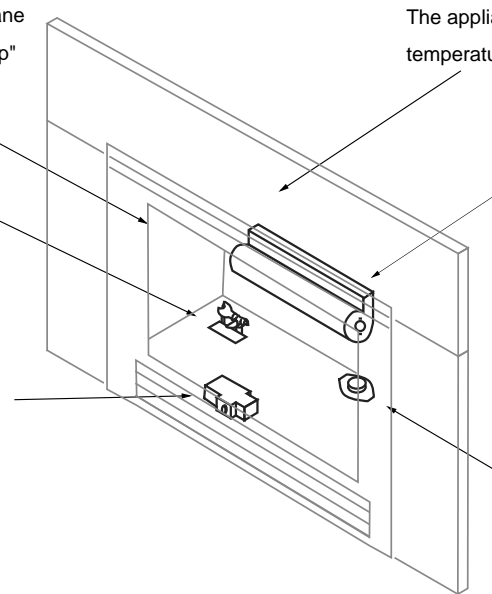
It is not unusual, especially on Propane (LP) appliances, to experience a "pop" when the burner is shut off.

Pilot Assembly

The pilot flame will make a clicking sound when starting up. If left on, it will make a slight whisper sound.

Gas Control Valve

As the gas control valve is turned on and off you will hear a dull clicking sound. This is the valve opening up and shutting down.



The appliance may creak with change of temperature -- THIS IS NORMAL.

Blower

This heater has an optional blower to push heated air into the room. You will hear the sound of air movement that increases as the speed is increased.

Blower Snap Disk

This part can produce a clicking sound as it turns the blower on and off.

Normal Operating Odors

This appliance has several areas that reach high temperatures. Dust or other particles on these areas may burn and create an odor. This is normal during start-up. You may notice the smell is more acute if the appliance was left idle for a long period.

Power Outages

The heater will work if household current (AC power) is disconnected. The batteries inside the battery box will continue to power the heater but the accent light and blower will not operate.

DANGER HIGH VOLTAGE: Disconnect power before attempting maintenance or repair.

Maintaining Your Heater's Appearance

Fingerprints or other marks left on the optional plated surface may become etched in place if they are not wiped clean prior to turning the heater on. Clean the plated surfaces with denatured alcohol and a soft cloth (with the heater cool). Other cleaners may leave a film that may become etched into the surface.

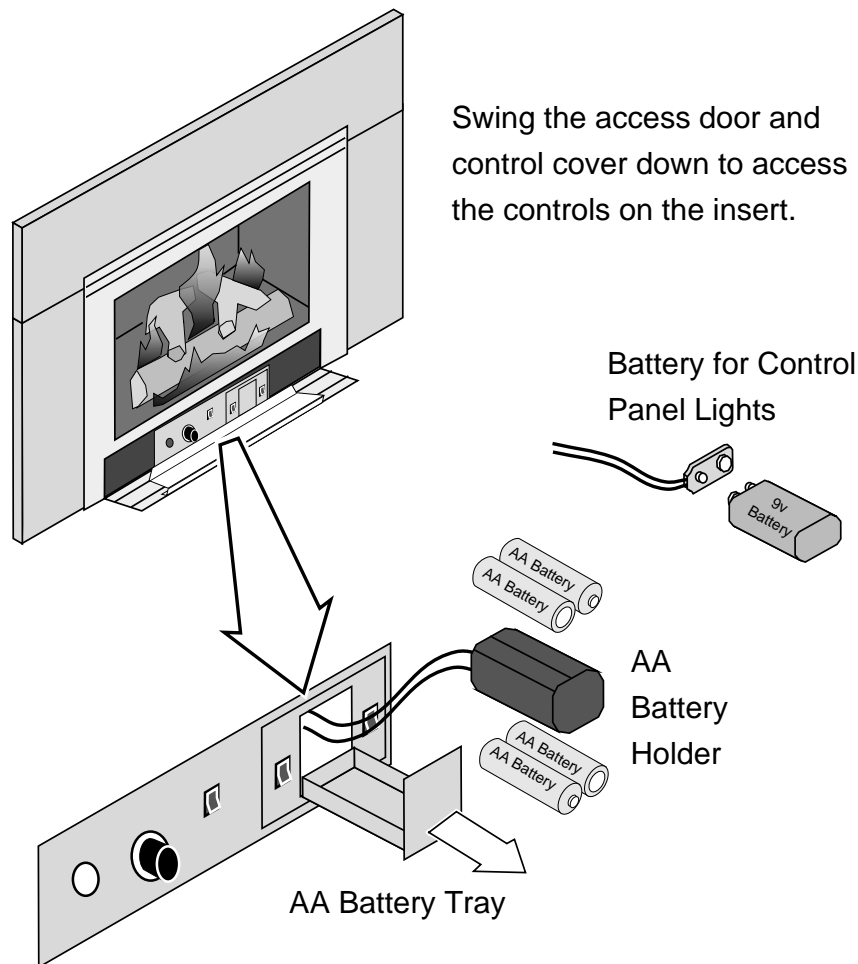
Battery Replacement

Power Backup Batteries

Four AA batteries are used as a power backup for the fireplace in case the household (AC) power goes out. They also power the comfort control feature. These batteries must be inserted into battery holder (make sure they contact the terminals - see the illustration below). The fireplace controller will beep once these batteries start to go dead. Replace batteries before each heating season to insure proper operation.

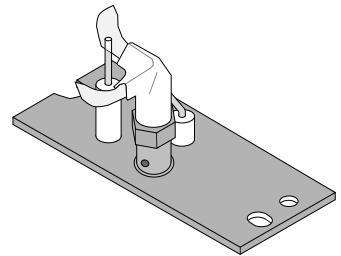
Control Panel Light Battery

LED lights and a 9v battery are used to illuminate the control panel when the concealment cover is lifted. If the LED lights do not operate, replace the 9v battery (see the illustration below). The battery holder is held in place with Velcro and may be removed for easier access.



Yearly Service Procedure

- Failure to inspect and maintain the heater may lead to improper combustion and a potentially dangerous situation. We recommend the following procedures be done by a qualified technician.
1. Turn the pilot flame to continuous. It should touch approximately 3/8" of the top of the flame sensor. If it does not, contact your dealer for service.
 2. Shut off gas to the heater and let it cool for 15 minutes. Remove the glass (see page 21). Glass may be cleaned with glass cleaner and a soft cloth (do not use abrasive cleaners).
 3. Remove the media (see the instructions included with your media kit). If severely deteriorated, replace. Check the media for sooting. A small amount of soot along the bottom of the media is normal. If excessive sooting is found, the heater will require adjustment. Contact your dealer.
 4. Inspect the burner and remove any debris.
 - Make sure the burner is not warped, cracked, or damaged.
 - Check the firebox and area around the pilot to make sure there is no warping or damage.
 - If any problem is found, discontinue use and contact your dealer for service.
 5. Replace the media. Clean and replace the glass. If the glass is damaged, replace. Make sure the gasket along the perimeter of the glass contacts the face of the firebox and forms an air-tight seal. If it does not, re-align or replace the gasket to insure an air-tight seal.
 6. Inspect the area behind the access door. Clean if necessary. Check the gas control valve and the gas lines. If damage is found, discontinue use and contact your dealer for service. Clean the air channels, ducts, and blower (if applicable).
 7. Start the main burner. Inspect the main burner and pilot flame. After 15 minutes the flames should be orange/yellow and not touch the top of the firebox. If the pilot or main burners do not burn correctly, contact your dealer for service. Monitor blower operation.
 8. Remove any debris or vegetation near the vent termination. Contact your dealer if any sooting or deterioration is found near the vent termination. Venting system should be examined by a qualified agency.



Troubleshooting Table

Problem:	Possible Cause:	Don't Call for Service Until You:
Main Burners Will Not Start	The ON/OFF switch is turned to "OFF"..... The remote control is not working correctly..... The thermostat is disconnected or set too low..... No Propane in Tank.....	Turn the ON/OFF switch to "ON" See the remote control instructions See "Thermostat Operation" Check Tank Level
Receiver Beeps	The power backup batteries are dead.....	Replace the batteries (see page 29)
Heater Beeps	The power backup batteries are dead (heater will beep once repeatedly)..... The heater encountered an error when trying to start (heater beeps 3 times repeatedly)..... The heater encountered a pilot error (heater beeps 2 times repeatedly).....	Replace the batteries (see page 29) Make sure gas is turned on. Turn heater off for 5 seconds (make sure standing pilot is off) – then turn back on. Contact your dealer if this occurs.
Fireplace Will Not Distribute Heat	The fireplace is not getting electricity..... The fireplace is not up to temperature.....	Check the breaker switch Let the fireplace burn for at least 15 minutes
Flames Are Too Blue	The fireplace has just been started..... Improper air shutter adjustment.....	This is normal - see "Starting the Fireplace for the First Time" Adjust Air Shutter - contact your dealer
Flames Are Too Short (Under 6")	The flame height may be turned too low.....	Turn the flame height to "HI" - See "Adjusting the Flame Height"
Comfort Control Does not Work	The AA batteries may be dead.....	Replace the AA batteries (see page 29)
Thin Layer of Soot Covers the Glass	The media is placed incorrectly..... Improper air shutter adjustment.....	See " Media Installation" Adjust Air Shutter - contact your dealer

Replacement Parts List

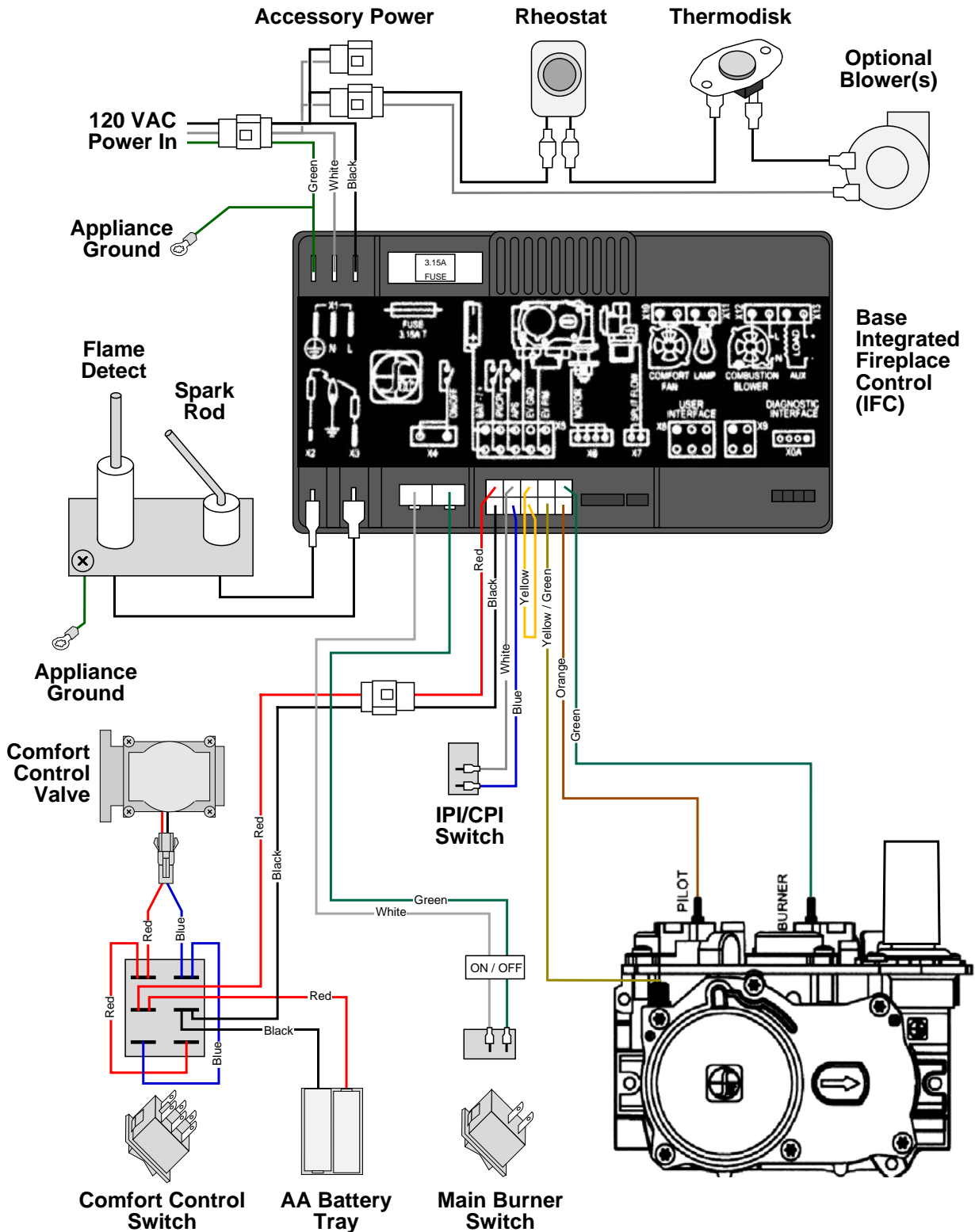
Caution: Use only Travis Industries replacement parts. Do not use substitute materials.

Warning: Do not operate appliance with the glass front removed, cracked, or broken. Replacement of the glass should be done by a licensed or qualified service person.

Contact your local Travis Industries Dealer for a Replacement Parts List

Wiring Diagram

Caution: Label all wires prior to disconnection when servicing controls. Wiring errors can cause improper and dangerous operation.



Safety Label

The safety (listing) label is attached to the operating tag (chained to the heater near the gas control valve). A copy is shown below

Minimum Clearances to Combustibles

Side of Insert to Adjacent Wall	4.5" (114mm)	See Owner's Manual
Hearth Extension in Front	0" (0mm)	See Owner's Manual
Hearth Extension to Sides of Insert	0" (0mm)	See Owner's Manual
Minimum fireplace size with 3 piece panel	Height: 19.5" (496mm), Width: 26.5" (674mm), Depth: 15.125" (385mm), Chimney height: 8 Feet.	
Minimum fireplace size with 1 piece panel	Height: 20.625" (524mm), Width: 29" (737mm), Depth: 16.375" (416mm), Chimney Height: 8 Feet.	

FAN TYPE VENTED CIRCULATOR

Blower Electrical Rating: 115V, 1.5 Amps, 60 Hz, 150 Watts
Part No. 228-10085 / 228-10086 fan or blower assembly may be used

	L.P.	N.G.	L.P.	N.G.
Input Rate on "HI" (BTU/Hr)	31,000	31,000	11"	5.9"
Input Rate on "LO" (BTU/Hr)	12,600	10,700	11"	7"
Orifice Size - Front (DMS)	#58	#50	11"	3.5"
Orifice Size - Rear (DMS)	#56	#47		

Minimum Inlet Pressure (inches W.C.)
Maximum Inlet Pressure (inches W.C.)
Manifold Pressure on "HI" (inches W.C.)

This appliance is equipped for use only at altitudes 0-2,000 feet (0-610m) in the USA. In Canada, 0-4,500 feet (0-1370m). For altitudes above 2,000 feet, the vent configuration, orifice, or combination of both may need to be changed. See owner's manual for information on making these changes.

MANUFACTURE DATE:

<input type="checkbox"/> 2014	<input type="checkbox"/> Jan.	<input type="checkbox"/> Apr.	<input type="checkbox"/> Jul.	<input type="checkbox"/> Oct.
<input type="checkbox"/> 2015	<input type="checkbox"/> Feb.	<input type="checkbox"/> May	<input type="checkbox"/> Aug.	<input type="checkbox"/> Nov.
<input type="checkbox"/> 2016	<input type="checkbox"/> Mar.	<input type="checkbox"/> Jun.	<input type="checkbox"/> Sep.	<input type="checkbox"/> Dec.

Manufactured by:

TRAVIS INDUSTRIES
HOUSE OF FIRE
12521 Harbour Reach Drive
Mukilteo, WA 98275
www.travisproducts.com

0938

VENTED GAS FIREPLACE HEATER - NOT FOR USE WITH SOLID FUEL

CAUTION: Do not operate this appliance with glass removed, cracked or broken. Replacement of the panel(s) should be done by a licensed or qualified service person.

VENTED GAS FIREPLACE HEATER - NOT FOR USE WITH SOLID FUEL

CAUTION: Do not operate this appliance with glass removed, cracked or broken. Replacement of the panel(s) should be done by a licensed or qualified service person.

MANUFACTURE DATE:

<input type="checkbox"/> 2014	<input type="checkbox"/> Jan.	<input type="checkbox"/> Apr.	<input type="checkbox"/> Jul.	<input type="checkbox"/> Oct.
<input type="checkbox"/> 2015	<input type="checkbox"/> Feb.	<input type="checkbox"/> May	<input type="checkbox"/> Aug.	<input type="checkbox"/> Nov.
<input type="checkbox"/> 2016	<input type="checkbox"/> Mar.	<input type="checkbox"/> Jun.	<input type="checkbox"/> Sep.	<input type="checkbox"/> Dec.

Manufactured by:

TRAVIS INDUSTRIES
HOUSE OF FIRE
12521 Harbour Reach Drive
Mukilteo, WA 98275
www.travisproducts.com

Register your TRAVIS INDUSTRIES, INC. Limited 7 Year Warranty online at traviswarranty.com, or complete the enclosed Warranty card and mail it within **ten (10)** days of the appliance purchase date to: TRAVIS INDUSTRIES, INC., 12521 Harbour Reach Drive, Mukilteo, WA 98275. TRAVIS INDUSTRIES, INC. warrants this gas appliance (appliance is defined as the equipment manufactured by Travis Industries, Inc.) to be defect-free in material and workmanship to the original purchaser from the date of purchase as follows:

**Check with your dealer in advance for any costs to you when arranging a warranty call.
Mileage or service charges are not covered by this warranty. This charge can vary from store to store.**

<u>Component</u>	Years 1 & 2 Parts & Labor	Years 3 Through 5 Parts & Labor	Years 6 & 7 Parts Only
<u>Burner Assembly</u> Burner Pan Assembly, Air Shutter Assembly, Main Burner Orifice	✓		
<u>Electrical Assembly (within heater structure):</u> Wiring harness, snap discs, rheostat speed control, blowers, etc.	✓		
<u>Gas Control Assembly</u> Adjustable control valve, fireplace controller, pilot assembly and pilot wiring	✓		
<u>Glass</u> Glass (breakage from thermal shock)	✓		
<u>Media</u> Log Set, Embers, Stones, Crushed Glass	✓		
<u>Gold, Nickel & Copper Plating</u> Face & Door (see "Conditions and Exclusions" # 9)	✓		
<u>Accessories</u> Firebacks, Power Heat Ducts, Andirons, etc...	✓		
<u>One-Way Freight Allowance</u> One-way freight allowance on pre-authorized repair done at factory is covered.	✓	✓	
<u>Convection Heat Exchanger</u> Convection heat exchanger assembly	✓	✓	
<u>Firebox Assembly</u> Adjustable Air Restrictor, Pressure Relief Mechanisms, Glass Attachment Mechanism	✓	✓	✓

EXCLUDED COMPONENTS:

Paint, Gasketing, and Accent Light Bulbs

CONDITIONS & EXCLUSIONS

- This new gas appliance must be installed by a qualified gas appliance technician. It must be installed, operated, and maintained at all times in accordance with the instructions in the Owner's Manual. Any alteration, willful abuse, accident, neglect, or misuse of the product shall nullify this warranty.
- This warranty is nontransferable, and is made to the ORIGINAL purchaser, provided that the purchase was made through an authorized TRAVIS dealer.
- Discoloration and some minor expansion, contraction, or movement of certain parts and resulting noise, is normal and not a defect and, therefore, not covered under warranty. The installer must ensure the appliance is burning as per the rating tag at the time of installation. Over-firing (operation above the listed BTU rate) of this appliance can cause serious damage and will nullify this warranty.
- The warranty, as outlined within this document, does not apply to the chimney components or other Non-Travis accessories used in conjunction with the installation of this product. If in doubt as to the extent of this warranty, contact your authorized TRAVIS retailer before installation.
- Travis Industries will not be responsible for inadequate performance caused by environmental conditions such as nearby trees, buildings, roof tops, wind, hills or mountains or negative pressure or other influences from mechanical systems such as furnaces, fans, clothes dryers, etc.
- This Warranty is void if:
 - The unit has been operated in atmospheres contaminated by chlorine, fluorine or other damaging chemicals.
 - The unit is subject to submersion in water or prolonged periods of dampness or condensation.
 - Any damage to the unit, combustion chamber, heat exchanger or other components due to water, or weather damage which is the result of, but not limited to, improper chimney/venting installation.
- Exclusions to this 7 Year Warranty include: injury, loss of use, damage, failure to function due to accident, negligence, misuse, improper installation, alteration or adjustment of the manufacturer's settings of components, lack of proper and regular maintenance, damage incurred while the appliance is in transit, alteration, or act of God.
- This 7 Year warranty excludes damage caused by normal wear and tear, such as paint discoloration or chipping, worn or torn gasketing, corroded or cracked logs, embers, etc. Also excluded is damage to the unit caused by abuse, improper installation, modification of the unit, drilling of the orifices, or the use of fuel other than that for which the unit is configured. Units are shipped for natural gas and must be converted to propane using the included conversion kit. Confirm fuel configuration with your installer.
- Damage to gold or nickel surfaces caused by fingerprints, scratches, melted items-, or other external sources left on the gold or nickel from the use of cleaners other than denatured alcohol is not covered in this warranty.
- TRAVIS INDUSTRIES, INC. is free of liability for any damages caused by the appliance, as well as inconvenience expenses and materials. Incidental or consequential damages are not covered by this warranty. In some states, the exclusion of incidental or consequential damage may not apply.
- This warranty does not cover any loss or damage incurred by the use or removal of any component or apparatus to or from the gas appliance without the express written permission of TRAVIS INDUSTRIES, INC. and bearing a TRAVIS INDUSTRIES, INC. label of approval.
- Any statement or representation of TRAVIS products and their performance contained in TRAVIS advertising, packaging literature, or printed material is not part of this 7 year warranty.
- This warranty is automatically voided if the appliance's serial number has been removed or altered in any way. If the appliance is used for commercial purposes, it is excluded from this warranty.
- No dealer, distributor, or similar person has the authority to represent or warrant TRAVIS products beyond the terms contained within this warranty. TRAVIS INDUSTRIES, INC. assumes no liability for such warranties or representations.
- Travis Industries will not cover the cost of the removal or re-installation of hearths, facing, mantels, venting or other components.
- If for any reason any section of this warranty is declared invalid, the balance of the warranty remains in effect and all other clauses shall remain in effect.
- THIS 7 YEAR WARRANTY IS THE ONLY WARRANTY SUPPLIED BY TRAVIS INDUSTRIES, INC., THE MANUFACTURER OF THE APPLIANCE. ALL OTHER WARRANTIES, WHETHER EXPRESS OR IMPLIED, ARE HEREBY EXPRESSLY DISCLAIMED AND PURCHASER'S RECOURSE IS EXPRESSLY LIMITED TO THE WARRANTIES SET FORTH HEREIN.**

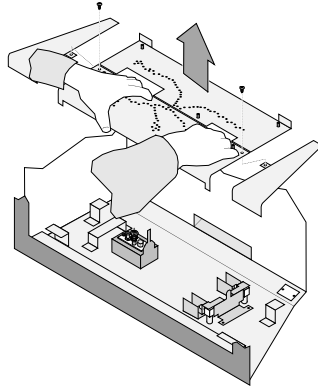
IF WARRANTY SERVICE IS NEEDED:

- If you discover a problem that you believe is covered by this warranty, you MUST REPORT it to your TRAVIS dealer WITHIN 30 DAYS, giving them proof of purchase, the purchase date, and the model name and serial number.
- Travis Industries has the option of either repairing or replacing the defective component.
- If your dealer is unable to repair your appliance's defect, he may process a warranty claim through TRAVIS INDUSTRIES, INC., including the name of the dealership where you purchased the appliance, a copy of your receipt showing the date of the appliance's purchase, and the serial number on your appliance. At that time, you may be asked to ship your appliance, freight charges prepaid, to TRAVIS INDUSTRIES, INC. TRAVIS INDUSTRIES, INC., at its option, will repair or replace, free of charge, your TRAVIS appliance if it is found to be defective in material or workmanship within the time frame stated within this 7 year warranty. TRAVIS INDUSTRIES, INC. will return your appliance, freight charges (years 1 to 5) prepaid by TRAVIS INDUSTRIES, INC., to your regional distributor, or dealership.
- Check with your dealer in advance for any costs to you when arranging a warranty call. Mileage or service charges are not covered by this warranty. This charge can vary from store to store.

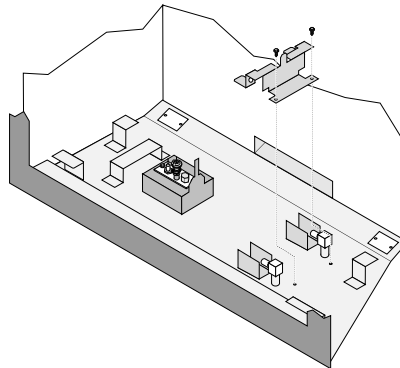
LP Conversion Instructions

Convert the appliance prior to installing the gas line to ensure proper gas use.

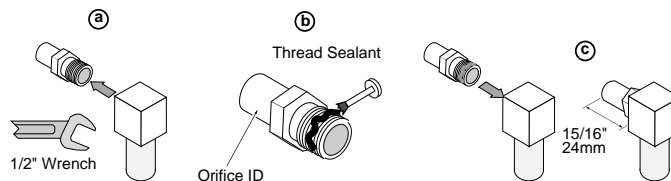
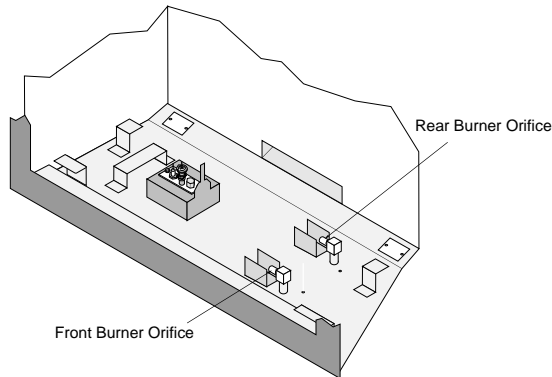
1. Remove the glass. Remove the media (if installed).
2. Access the firebox.
3. Remove the two screws holding the ember trays in place (see below). Remove the side ember trays. Grasp the burner with both hands and lift it straight up and out of the firebox.



4. Remove the manifold cover to access the burner orifices (see below).



5. Install the LP (propane) orifices.

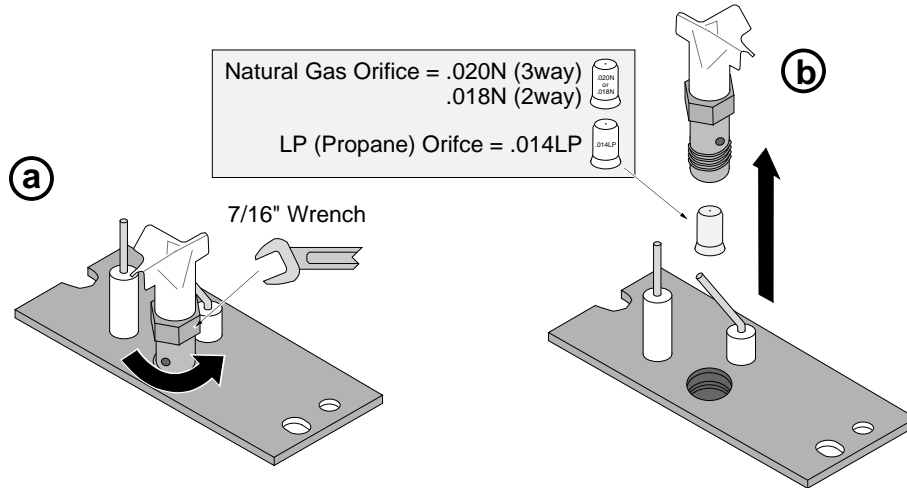


ORIFICE SIZE (ID)	Natural Gas	LP (Propane)
Front Burner Orifice	#50 DMS	#58 DMS
Rear Burner Orifice	#47 DMS	#56 DMS

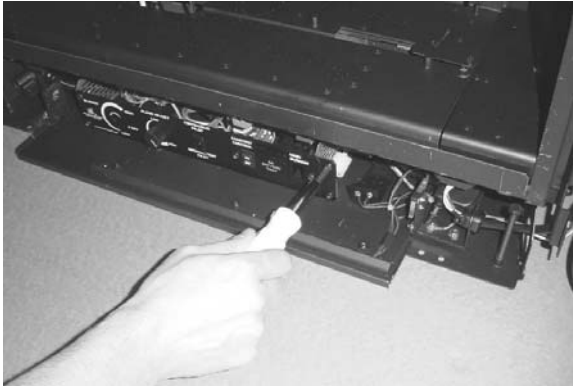
36

Optional Equipment (for qualified installers only)

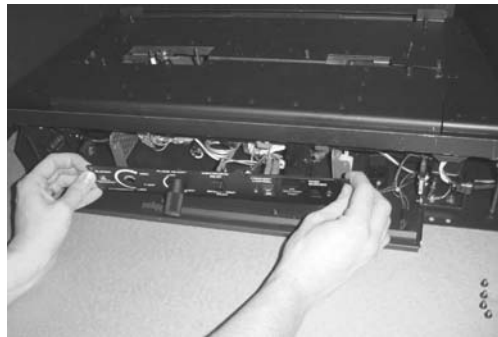
6. Replace the manifold cover.
7. Install the LP pilot orifice following the instructions below.
 - (a) Use a 7/16" open-end wrench to remove the pilot hood.
 - (b) Remove and discard the Natural Gas (NG) orifice. Place the LP orifice in the pilot assembly then replace the pilot hood, tightening the pilot hood until it is snug (do not over-tighten).



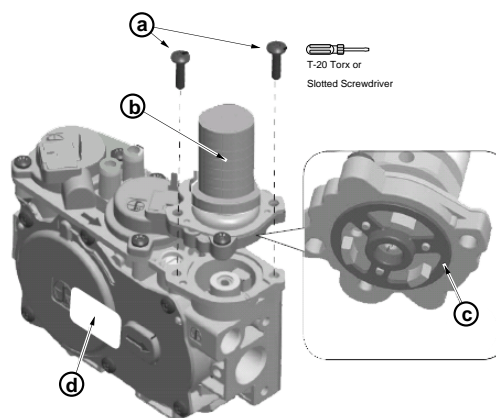
- Remove the four screws holding the control cover in place (see picture below). Pull the control cover forward slightly and disconnect the flame height knob (do not remove the knob). This allows the control cover to move upwards, away from the concealment cover.



- Pull the control cover forward, taking care to not damage any wiring (see picture below). This will allow access to the gas control valve.



- Replace the regulator following the instructions included with the regulator kit. Remove and discard the screws (see "a" below) holding the stock regulator in place (see "b" below). Remove the stock regulator and gasket (see "c" below). Place the LP regulator in place, making sure the pre-fitted gasket (see "c" below) is in place – **make sure it is correctly oriented.** Secure using the screws included with the motor – tighten to 25 Lb-inches. **Leak test this area after installation to verify proper installation.** There is a label on the base of the regulator knob indicating regulator type (NG or LP). Place the included label on the valve body where it can be easily seen to insure proper identification ("d").



- Replace the firebox components.
- Restore the appliance to the correct configuration. Make the gas line connection, bleed the gas line (if applicable), start the heater and thoroughly leak-test all gas connections and the gas control valve.

Additional Items Required	7	Location of Controls.....	25
Adjusting the Blower Speed	27	LP Conversion Instructions.....	35
Adjusting the Flame Height	27	Maintaining Your Heater's Appearance	29
Battery Replacement.....	29	Media Installation (Log, Stone, or Driftwood) ..	22
Before You Begin	25	Modifying the Face Connector for Discovery, Rosario, and Artisan Faces.....	11
Clearances	11	Normal Operating Odors.....	28
Comfort Control	26	Normal Operating Sounds	28
Continuous/Intermittent Pilot Switch	27	On/Off Switch Installation	20
Dimensions.....	6	Order of Installation	7
Electrical Requirements	10	Packing List	7
Electrical Specifications (for optional blower)	6	Power Outages	28
Features	6	Replacement Parts List.....	31
Fireplace Altered Tag.....	9	Rheostat Installation	20
Fireplace Requirements	8	Starting the Heater for the First Time	26
Fuel	6	Steps for Finalizing the Installation	23
Gas Line Requirements	12	Surround Panel Installation.....	18
Glass Frame Removal and Installation	21	Top Convection Deflector	8
Hearth Requirements	9	Troubleshooting Table	31
Heating Specifications.....	6	Turning the Fireplace On and Off	26
Installation Options.....	6	Vent Requirements	13
Installation Warnings.....	7	Wiring Diagram	32
Items Packed with the Face	7	Yearly Service Procedure	30
Leveling Bolts.....	10		