

# Arched Panels - DVS Insert

Black Trim 98500605

## CHECK CONDITION OF SHIPMENT

Upon receipt of this kit, check the condition of the packaging. Damage to the package should be noted on the carrier's freight receipt. Any damage claims as a result of shipping must be handled through the shipper. Travis Industries will provide assistance in resolving shipping claims or replacing items not included in the package. Please report any missing items immediately.

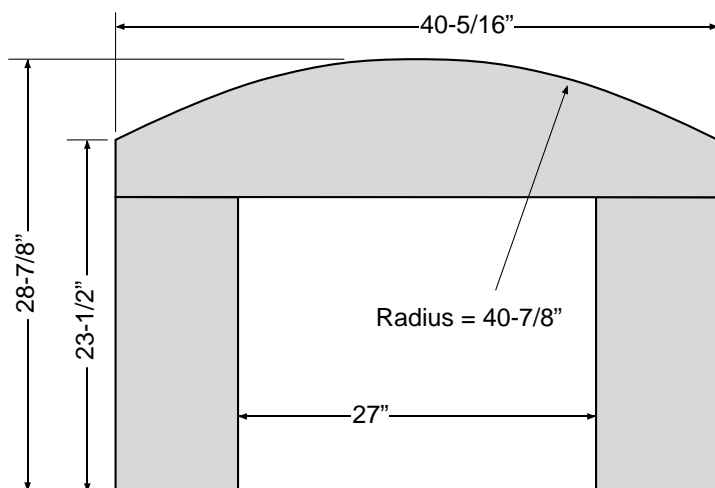
## COMPATIBILITY

- DVS Insert (31 DVI, DVS GSR)

## PACKING LIST

- Top & Side Panels
- Four 10-24 Self-Threading Screws
- Double-Back Tape
- Trim (w hardware)

## PANEL SIZING



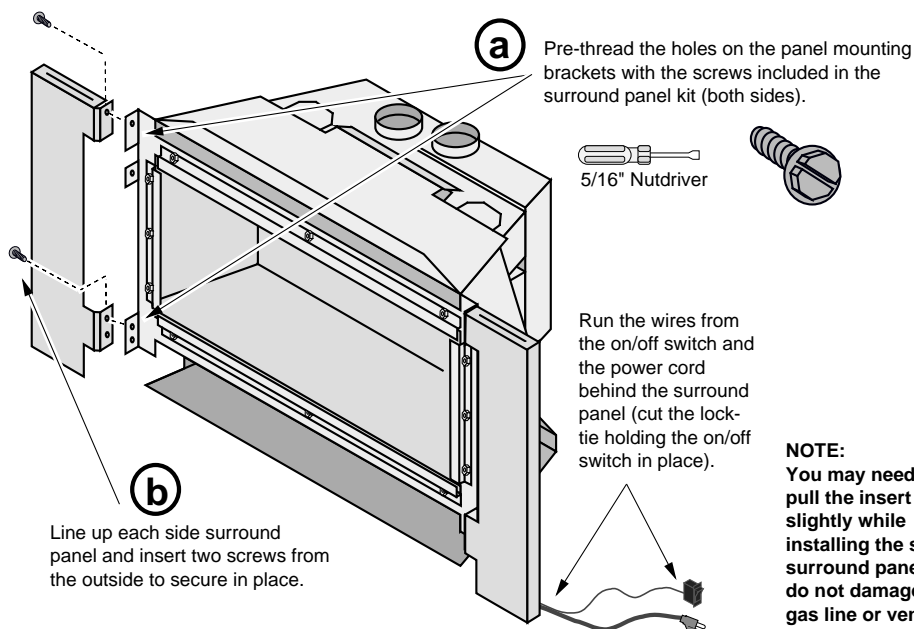
### Arched Panel Coverage (with trim)

If the Fireplace Opening Is:	The Panels Will Cover Up to:
39-3/8" Wide	23-1/2" Tall
38-3/8" Wide	23-3/4" Tall
37-3/8" Wide	24" Tall
36-3/8" Wide	24-5/16" Tall
35-3/8" Wide	24-1/2" Tall
34-3/8" Wide	24-3/4" Tall
33-3/8" Wide	25" Tall
32-3/8" Wide	25-1/4" Tall
31-3/8" Wide	25-7/16" Tall
30-3/8" Wide (min.)	25-5/8" Tall

## INSTALLATION INSTRUCTIONS

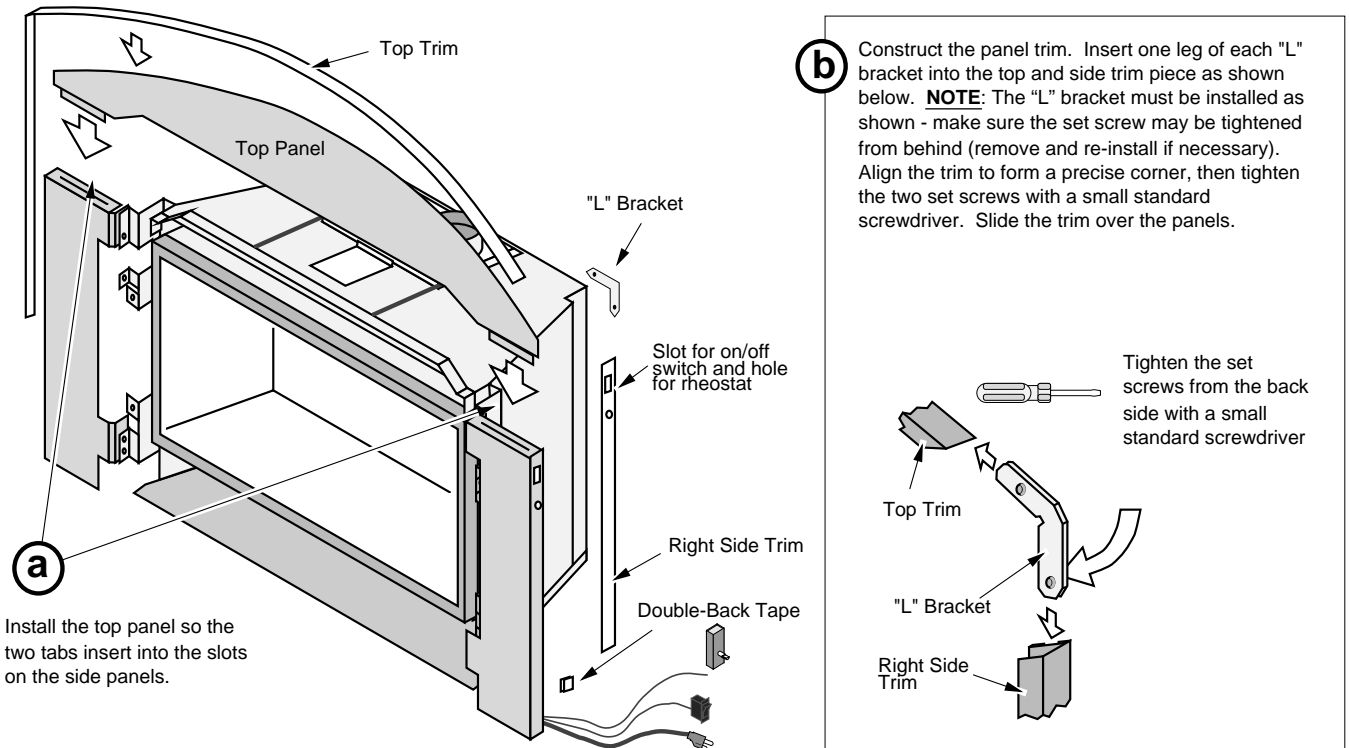
! Turn the gas source off prior to installing.

1 With the gas line and vent attached, install the side panels (see the illustration to the right).



**NOTE:**  
You may need to pull the insert out slightly while installing the side surround panels - do not damage the gas line or vents.

2 Install the top panel and trim. Attach double-back tape to the bottom of the trim to keep it in place.



3 Follow the directions below to install the on/off switch and rheostat (both included with the insert).

## OPTION A

## OPTION B

