

CHECK CONDITION OF SHIPMENT

Upon receipt of this kit, check the condition of the packaging. Damage to the package should be noted on the carrier's freight receipt. Any damage claims as a result of shipping must be handled through the shipper. Travis Industries will provide assistance in resolving shipping claims or replacing items not included in the package. Please report any missing items immediately.

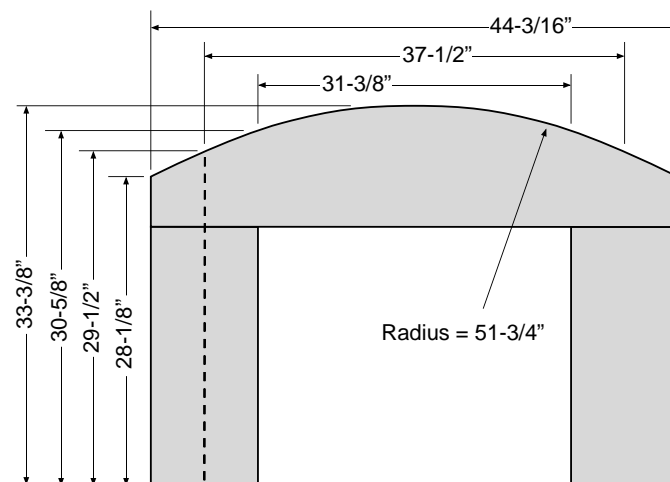
COMPATIBILITY

- DVL Insert (33 DVI, DVL GSR)

PACKING LIST

- Top & Side Panels
- (4) 10-24 Self-Threading Screws
- Trim (w hardware)
- (2) Double-Back Tape

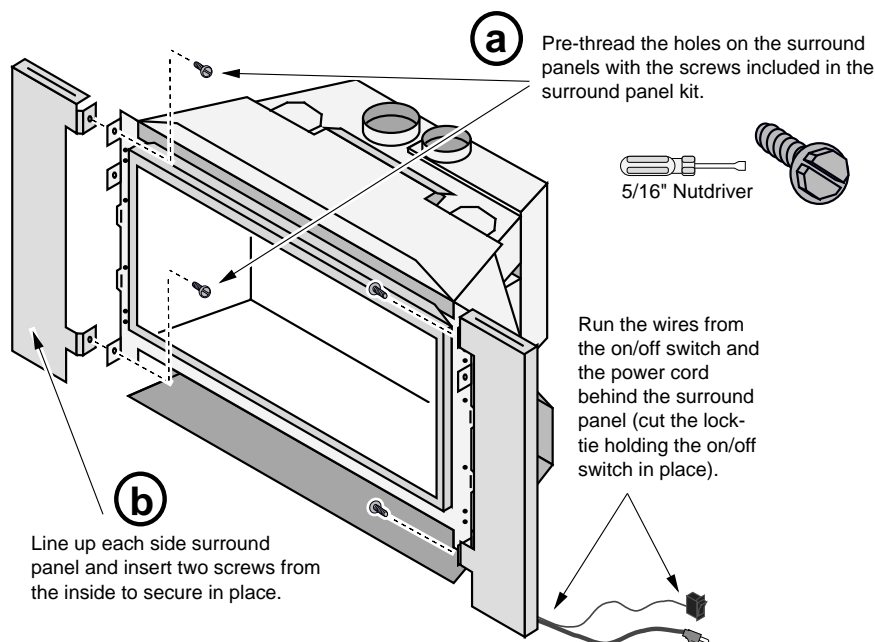
PANEL SIZING



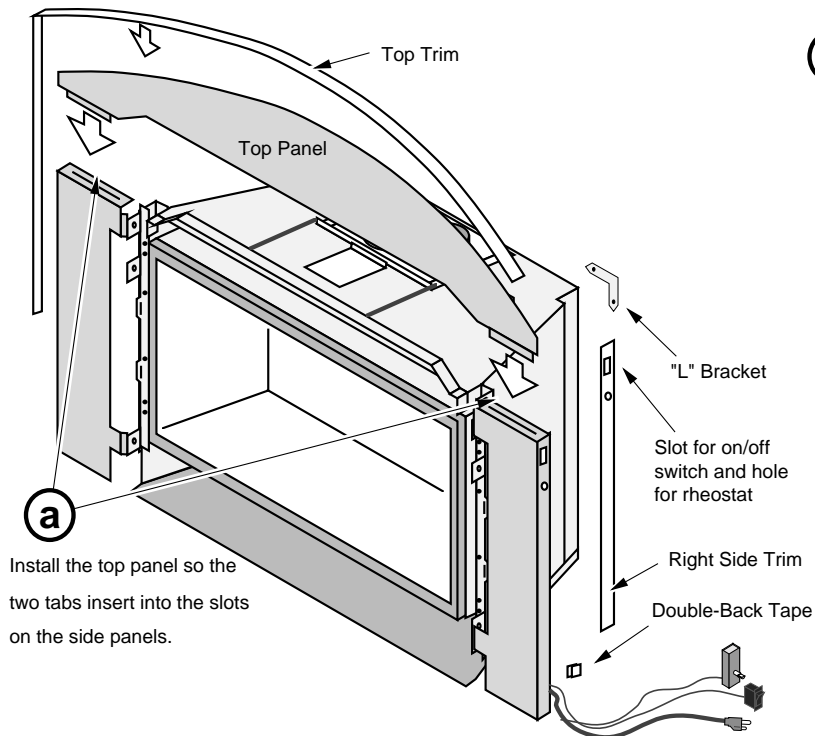
INSTALLATION INSTRUCTIONS

! Turn the gas source off prior to installing.

1 With the gas line and vent attached, install the side panels (see the illustration to the right).

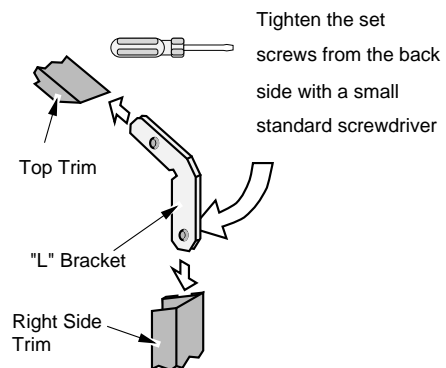


2 Install the top panel and trim. Attach double-back tape to the bottom of the trim to keep it in place.



a Install the top panel so the two tabs insert into the slots on the side panels.

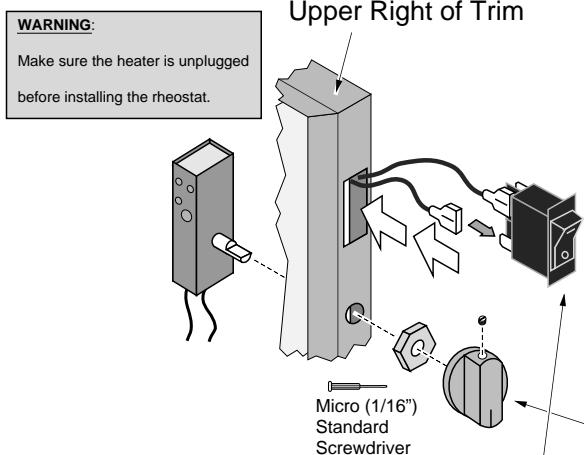
b Construct the panel trim. Insert one leg of each "L" bracket into the top and side trim piece as shown below. **NOTE:** The "L" bracket must be installed as shown - make sure the set screw may be tightened from behind (remove and re-install if necessary). Align the trim to form a precise corner, then tighten the two set screws with a small standard screwdriver. Slide the trim over the panels.



Tighten the set screws from the back side with a small standard screwdriver

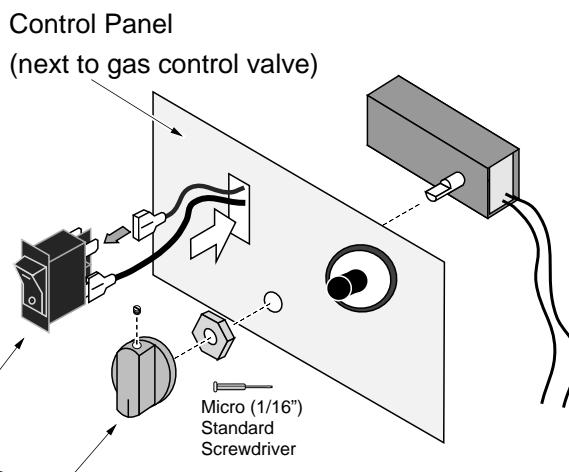
3 Follow the directions below to install the on/off switch and rheostat (both included with the insert).

OPTION A



a Disconnect the red and brown wires leading to the on/off switch. Insert the wires through the rectangular mounting hole (on the surround panel or control panel) and attach to the on/off switch. The wires must attach to the top and bottom posts on either side of the switch - it does not matter which wire is on top. Press the switch into the rectangular hole until it locks into place.

OPTION B



b Remove the knob and nut from the rheostat (the knob is held in place with a set screw). Insert the shaft on the rheostat through the circular hole (on the surround panel or control panel). Secure with the nut. Replace the knob.

c Make sure the wires do not contact the burner pan or other hot surfaces (secure with lock ties if necessary).