

CHECK CONDITION OF SHIPMENT

Upon receipt of this kit, check the condition of the packaging. Damage to the package should be noted on the carrier's freight receipt. Any damage claims as a result of shipping must be handled through the shipper. Travis Industries will provide assistance in resolving shipping claims or replacing items not included in the package. Please report any missing items immediately.

COMPATIBILITY

- Fireplace Xtordinair 44 DV XXL

ITEMS NEEDED FOR ASSEMBLY

- Adjustable Wrench

PACKING LIST

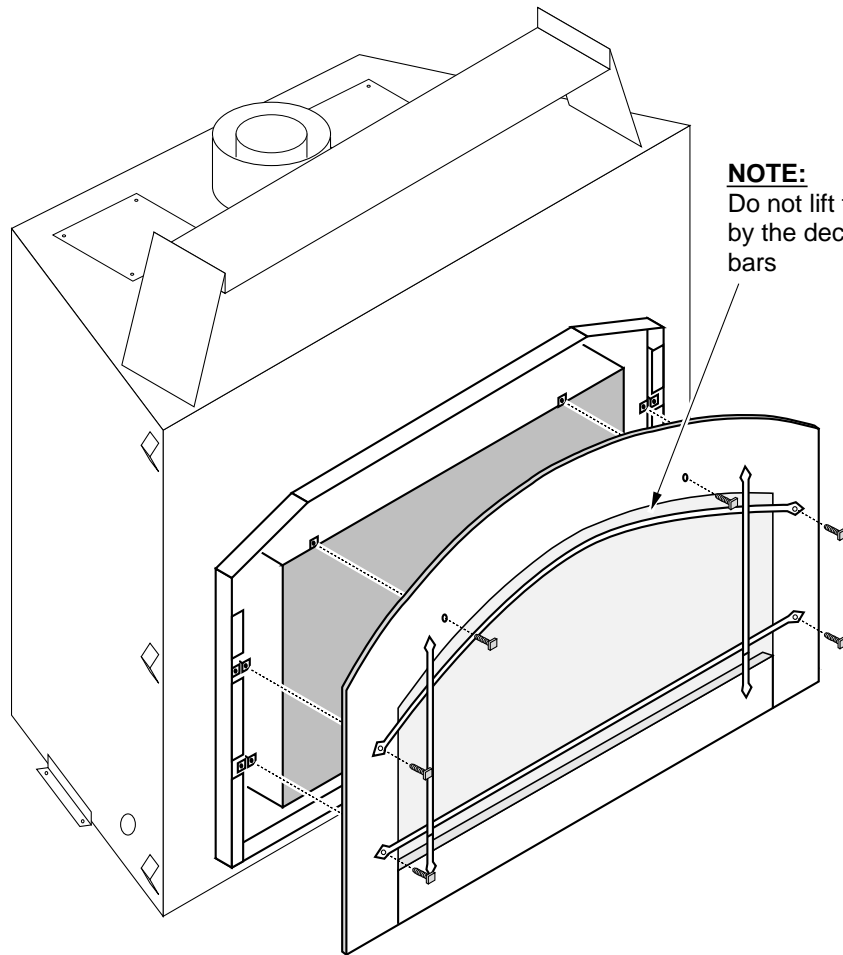
- Face
- Six Square Head 1/4-20 Screws
- Pull Tool (for opening the control door while fireplace is hot)

INSTALLATION INSTRUCTIONS

- ! Turn the gas control valve to "OFF" prior to conducting any service.
- 1 The log set, coals, and glass must be installed prior to installing the face. See pages 27 through 29 of the owner's manual for instructions.
- 2 Install the face onto the fireplace (follow the directions to the right).

NOTE:
Do not lift the face by the decorative bars

Adjustable Wrench



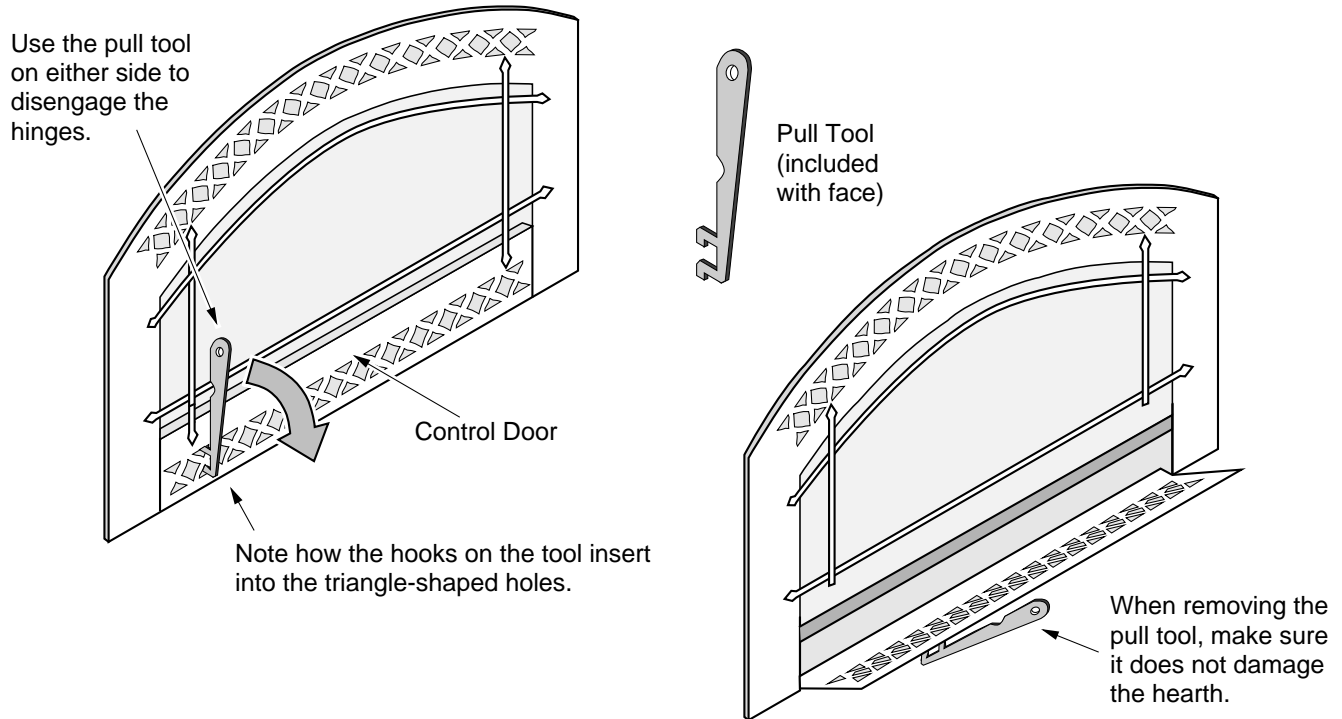
Copper Surfaces

Use the included anti-oxidizer to clean the copper surface. See the included instruction sheet for full details.



OPENING THE CONTROL DOOR

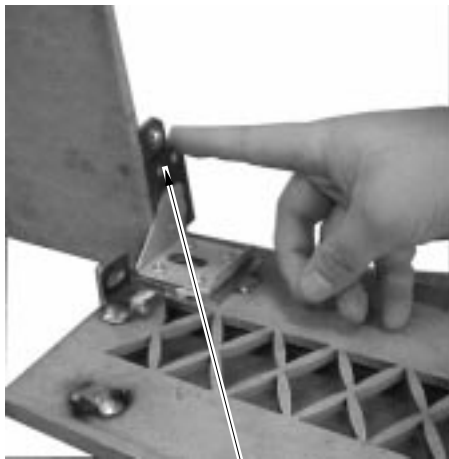
! The face becomes extremely hot during operation. To avoid burns, use the included pull tool to open the control door. Make sure the homeowner knows how to use this tool.



ADJUSTING THE CONTROL DOOR HINGE

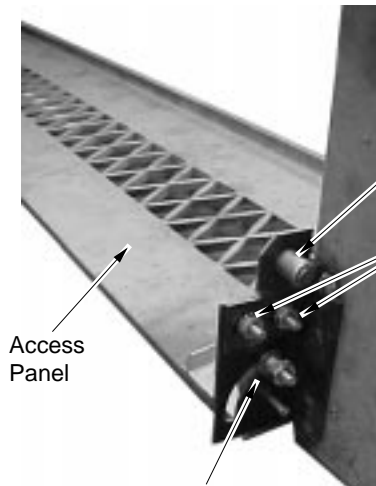
The control door hinge is adjusted at the factory. It can be adjusted if required. The illustrations below detail these adjustments.

Bullet Catch



This bullet-shaped device holds the control door upright. To tighten or loosen the catch, simply rotate it (it is threaded inside the assembly).

Back of Face (with face removed)



These two nuts hold the bullet catch assembly. If the top of the control door is not aligned, these nuts can be loosened to re-align the bullet catch assembly.

Adjust this nut to tighten or loosen the friction of the hinge.



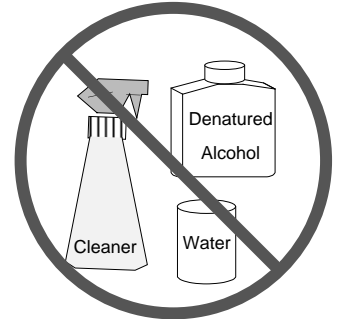
FIREPLACE
XTRORDINAIR™

Handling Instructions for Copper-Plated Faces

The copper plating on this face is very unique. Its hand-crafted finish adds luster and beauty to Fireplace Xtrordinair fireplaces. It requires special handling and care to maintain its unique finish. One of the characteristics of copper is that it will oxidize over time, but it is easy to restore the luster following the instructions below:

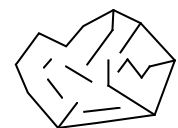
How to Preserve Your Copper Face:

- Use clean gloves to handle the face and prevent fingerprints.
- The copper will oxidize (turn yellow/green or black) if cleaned with anything other than "Fireplace Xtrordinair Copper Anti-Oxidizer". Denatured alcohol, soap, or water cleaning will lead to oxidation and cause the face to discolor.
- Use the anti-oxidizer to remove finger prints or discoloration of the finish. The anti-oxidizer cleaner will bleach some materials and should be kept away from skin, fabrics and carpets.
- Keep the blower "ON" while the fireplace is burning. High temperatures will accelerate the oxidation process, and for this reason we recommend that you always keep the blower operating while using the fireplace as this will help reduce the temperature of the face.



How to Apply the Anti-Oxidizer:

Make sure the face is cool before cleaning. Lay a tarp or other protector on the hearth and surrounding area prior to applying the Anti-Oxidizer. Apply a liberal amount of the anti oxidizer to a soft cotton cloth. Gently wipe the desired area clean. Do not wipe anti-oxidizer completely off. Leave a coat and allow it to dry. It must not, however, be dripping or running off the face. This cleaner is formulated to clean and protect the copper from oxidation. This cleaner is not intended for human consumption and must **be kept out of reach of children.**



Soft Cloth