

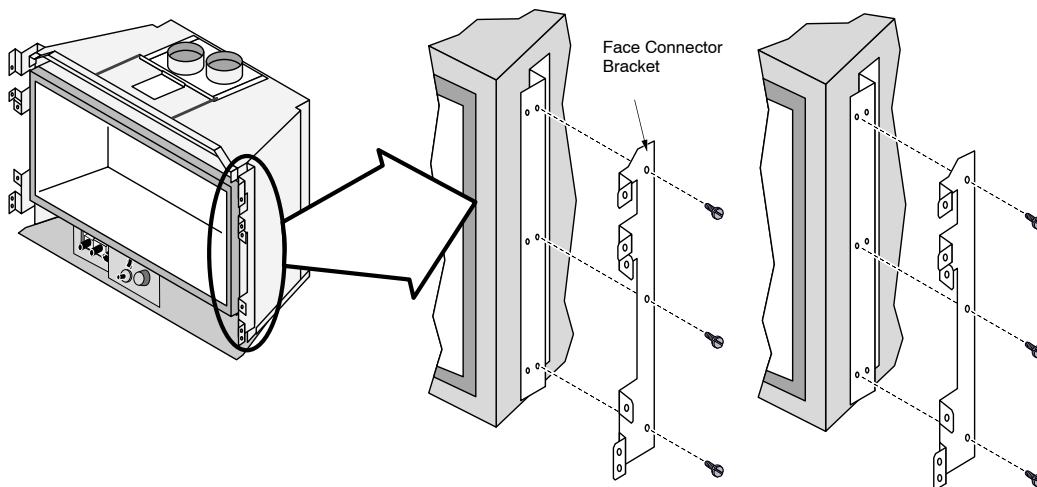
Compatibility

- DVS Insert
- 31 DVI Insert

NOTE: On newer units (2008 or later), leave the glass on and move the face connector to the forward position (see illustration below). For older units, remove the glass.

Remove the face connector bracket from the heater (on both sides).

Re-attach the face connector to the heater using the forward mounting holes.



Warnings



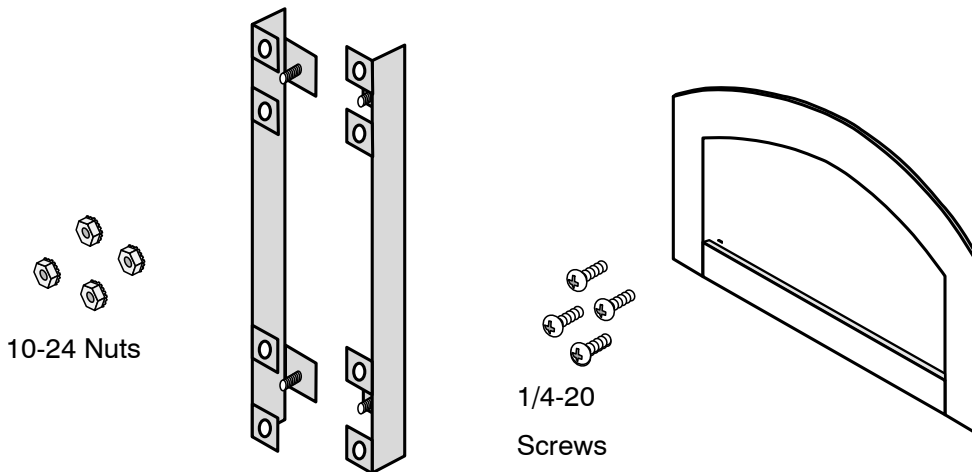
Warning:

Make sure the heater has fully cooled prior to conducting service.

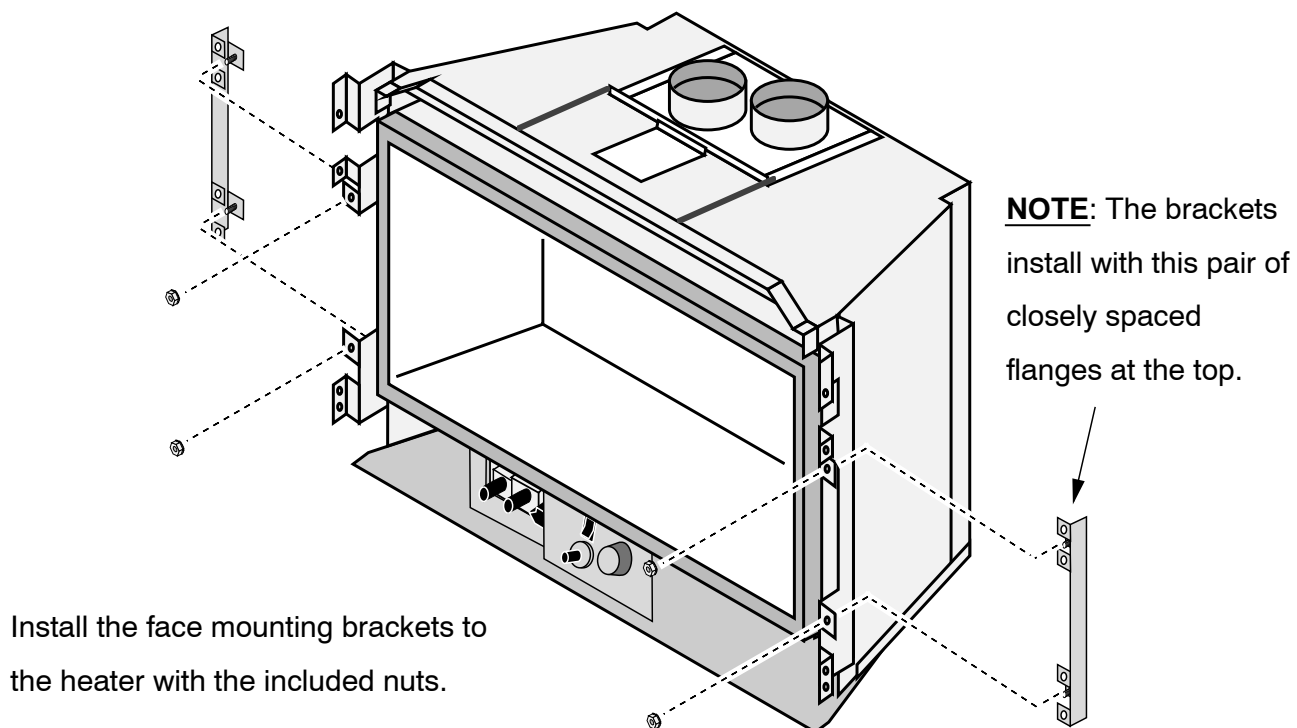
Hand-Rubbed Patina Finishes

The optional patina finish is hand applied by a skilled artisan to permanently alter the metal colors and texture of the face. Each face is individually hand-polished and fired in an oven which imparts unique color subtleties with no two finishes alike. The patina finish on your face is a “living” color and will age and antique over time. Enjoy the timeless, rich luster of your beautiful new face.

Packing List

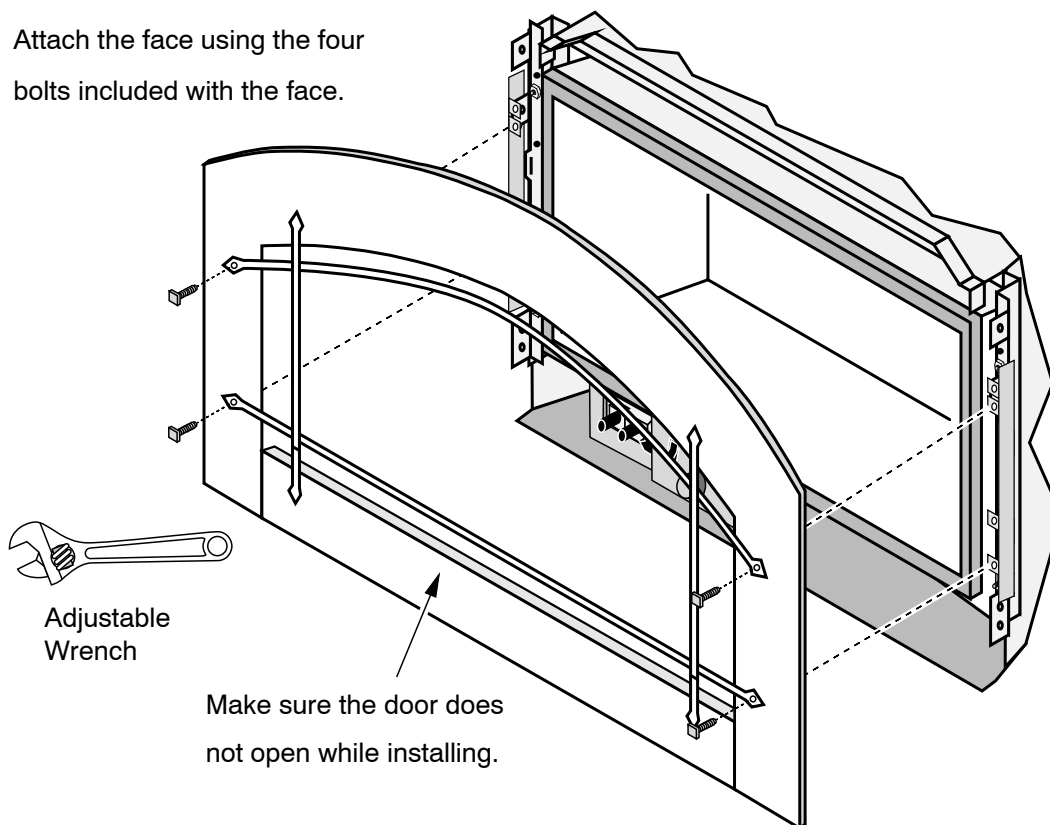


Bracket Installation



Face Installation

Attach the face using the four bolts included with the face.

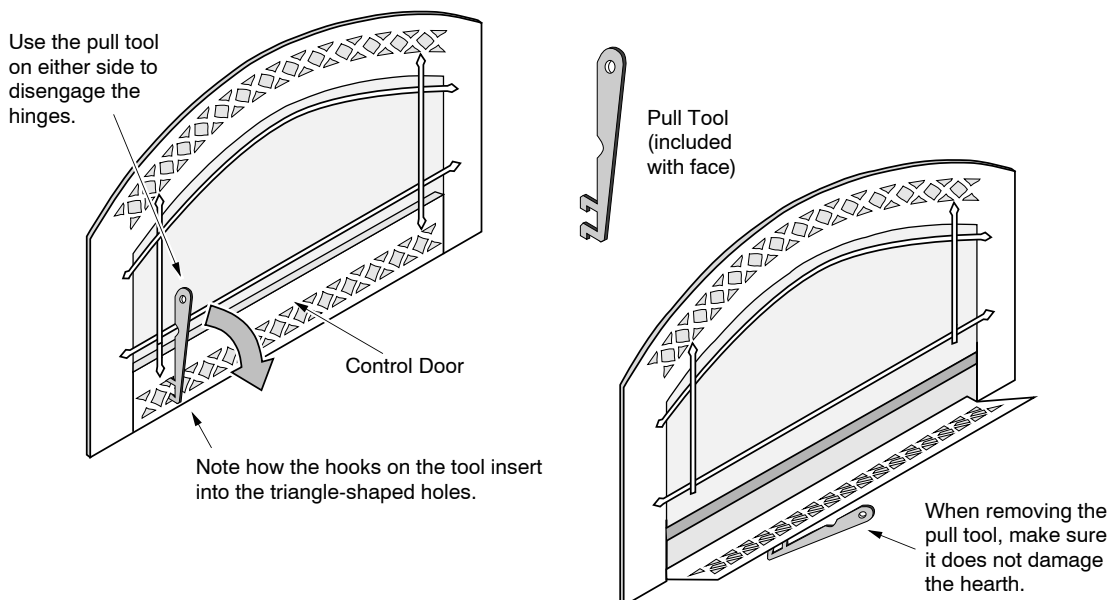


Opening the Control Door



Warning:

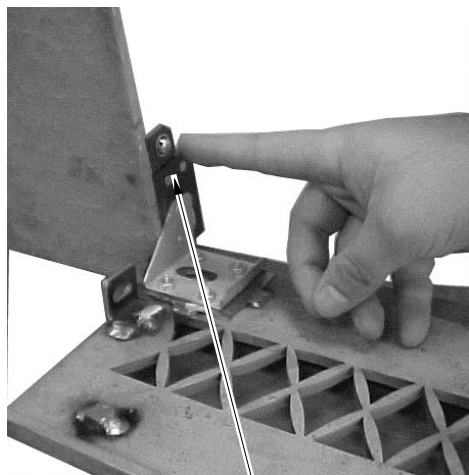
The face becomes very hot during operation. Use the included handle open the control and take care to not touch any of the hot surfaces.



Adjusting the Control Door

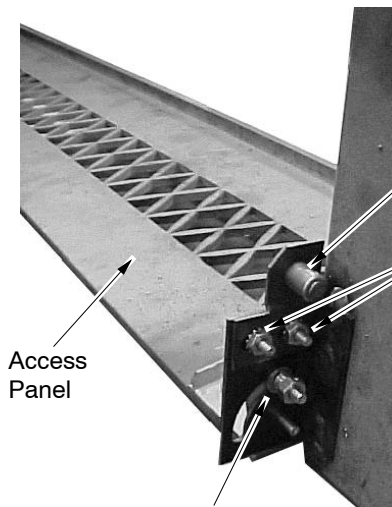
The control is adjusted at the factory. See the directions below if further adjustment is necessary.

Bullet Catch



This bullet-shaped device holds the control door upright. To tighten or loosen the catch, simple rotate it (it is threaded inside the assembly).

Back of Face (with face removed)



These two nuts hold the bullet catch assembly. If the top of the control door is not aligned, these nuts can be loosened to re-align the bullet catch assembly.

Adjust this nut to tighten or loosen the friction of the hinge.