

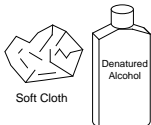
Compatibility

- DVS Insert EF II

Part Numbers

- Arch Nickel 98500506 Arch Black 98500501 • Arch French Country 95300205
- Arch French Country Black 95300206 • Rect. Bevel Black 98500505 • Rect. Bevel Nickel 95300214

Warnings



Plated Surfaces Warning:

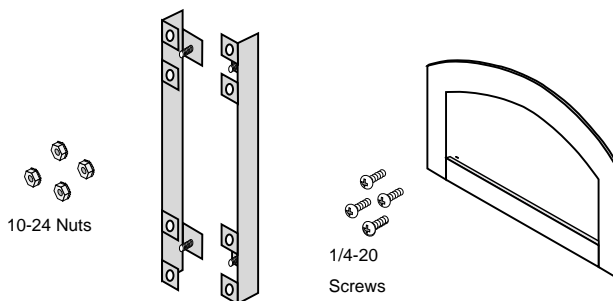
Any marks left on the optional plated surface may become etched-in by the heat of the appliance. Use denatured alcohol and a soft cloth to clean.



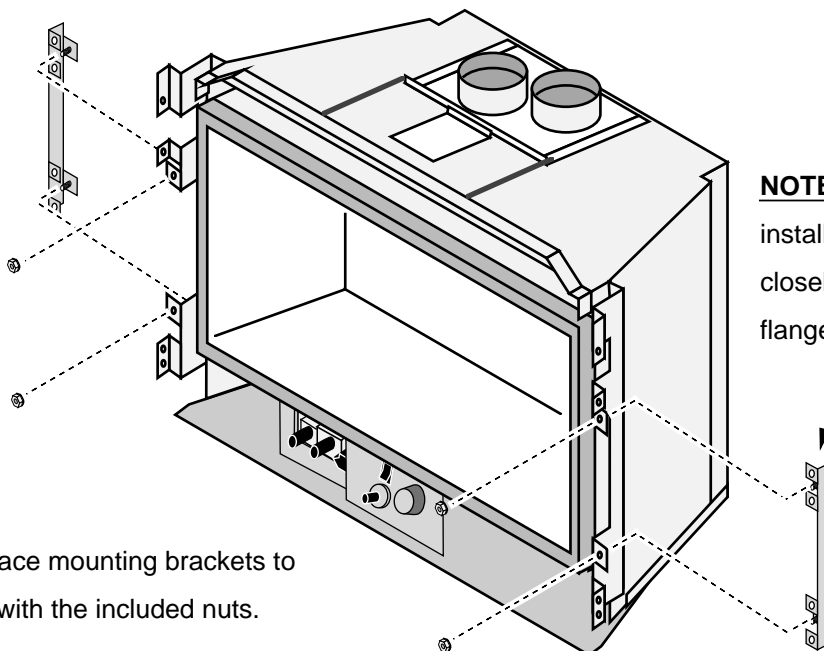
Warning:

Make sure the heater has fully cooled prior to conducting service.

Packing List



Bracket Installation – DVS Insert EF II



Install the face mounting brackets to the heater with the included nuts.

NOTE: The brackets install with this pair of closely spaced flanges at the top.

Face Installation

