

FPX 34 DVL Architectural Face

CHECK CONDITION OF SHIPMENT

Upon receipt of this kit, check the condition of the packaging. Damage to the package should be noted on the carrier's freight receipt. Any damage claims as a result of shipping must be handled through the shipper. Travis Industries will provide assistance in resolving shipping claims or replacing items not included in the package. Please report any missing items immediately.

COMPATIBILITY

- DVL Insert
- DVL Fireplace

ITEMS NEEDED FOR ASSEMBLY

- 11/32" Nutdriver or Wrench

PART NUMBERS

French Country Antique Gold 98500529

French Country Rectangular 95300600

Arts and Crafts Antique Copper 98500526

Art-Deco Brushed Nickel 98500527

Neo-Classic Brushed Nickel 98500528

PACKING LIST

- Face
- Two Face Mounting Brackets
- Six (6) 8-32 Nuts

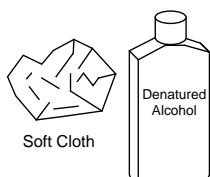
INSTALLATION INSTRUCTIONS

! Turn off gas to the appliance and make sure it has fully cooled prior to conducting service.

- 1 Attach both mounting brackets to the face (see the directions to the right).
- 2 The face mounts to the heater as shown to the right.

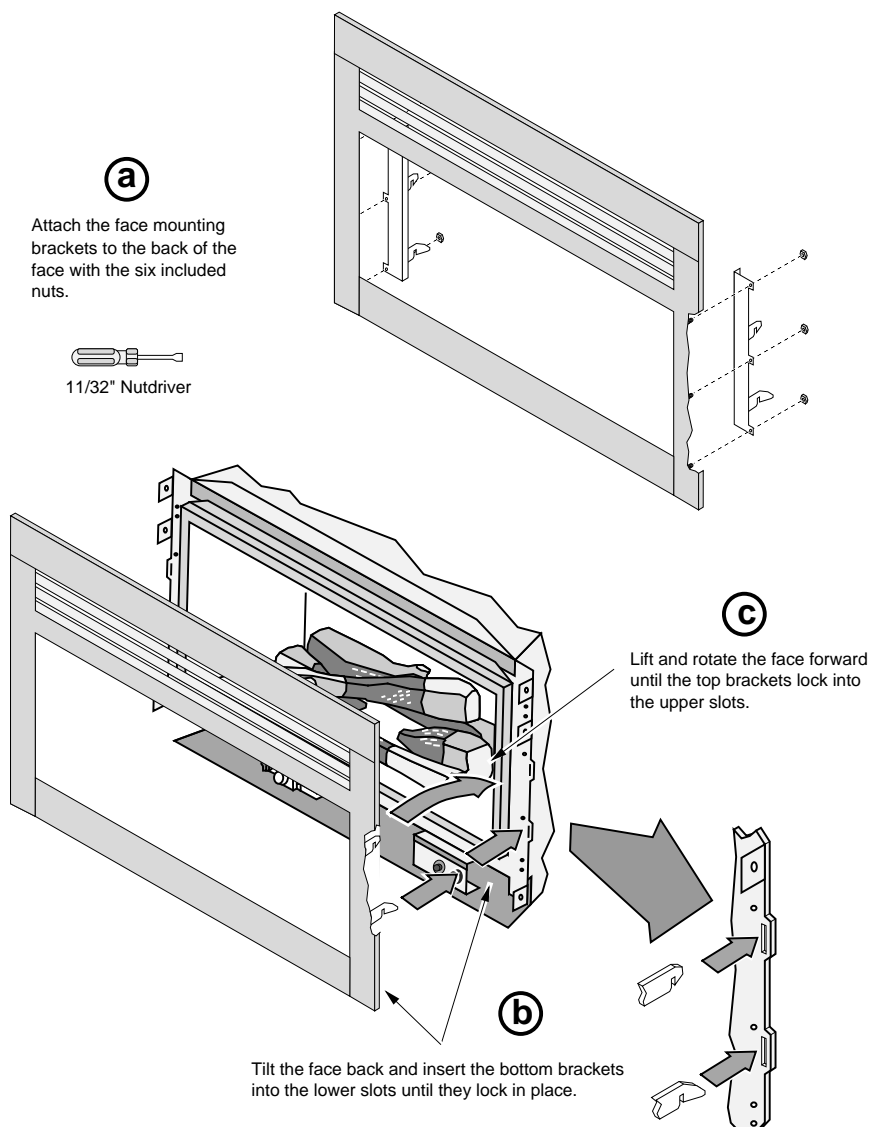
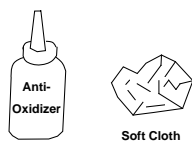
Gold Surfaces

Use denatured alcohol and a soft cloth to clean gold. Marks left on the gold surface may damage the face.



Copper Surfaces

Use the included anti-oxidizer to clean the copper surface. See the included instruction sheet for full details.





FIREPLACE
XTRORDINAIR™

Handling Instructions for Copper-Plated Faces

The copper plating on this face is very unique. Its hand-crafted finish adds luster and beauty to Fireplace Xtrordinair fireplaces. It requires special handling and care to maintain its unique finish. One of the characteristics of copper is that it will oxidize over time, but it is easy to restore the luster following the instructions below:

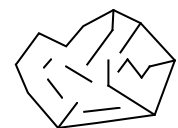
How to Preserve Your Copper Face:

- Use clean gloves to handle the face and prevent fingerprints.
- The copper will oxidize (turn yellow/green or black) if cleaned with anything other than "Fireplace Xtrordinair Copper Anti-Oxidizer". Denatured alcohol, soap, or water cleaning will lead to oxidation and cause the face to discolor.
- Use the anti-oxidizer to remove finger prints or discoloration of the finish. The anti-oxidizer cleaner will bleach some materials and should be kept away from skin, fabrics and carpets.
- Keep the blower "ON" while the fireplace is burning. High temperatures will accelerate the oxidation process, and for this reason we recommend that you always keep the blower operating while using the fireplace as this will help reduce the temperature of the face.



How to Apply the Anti-Oxidizer:

Make sure the face is cool before cleaning. Lay a tarp or other protector on the hearth and surrounding area prior to applying the Anti-Oxidizer. Apply a liberal amount of the anti oxidizer to a soft cotton cloth. Gently wipe the desired area clean. Do not wipe anti-oxidizer completely off. Leave a coat and allow it to dry. It must not, however, be dripping or running off the face. This cleaner is formulated to clean and protect the copper from oxidation. This cleaner is not intended for human consumption and must **be kept out of reach of children.**



Soft Cloth