

FPX 36 DV XL Artisan Face

CHECK CONDITION OF SHIPMENT

Upon receipt of this kit, check the condition of the packaging. Damage to the package should be noted on the carrier's freight receipt. Any damage claims as a result of shipping must be handled through the shipper. Travis Industries will provide assistance in resolving shipping claims or replacing items not included in the package. Please report any missing items immediately.

COMPATIBILITY

- Fireplace Xtordinaire 36 DV XL

ITEMS NEEDED FOR ASSEMBLY

- Adjustable Wrench

PART NUMBERS

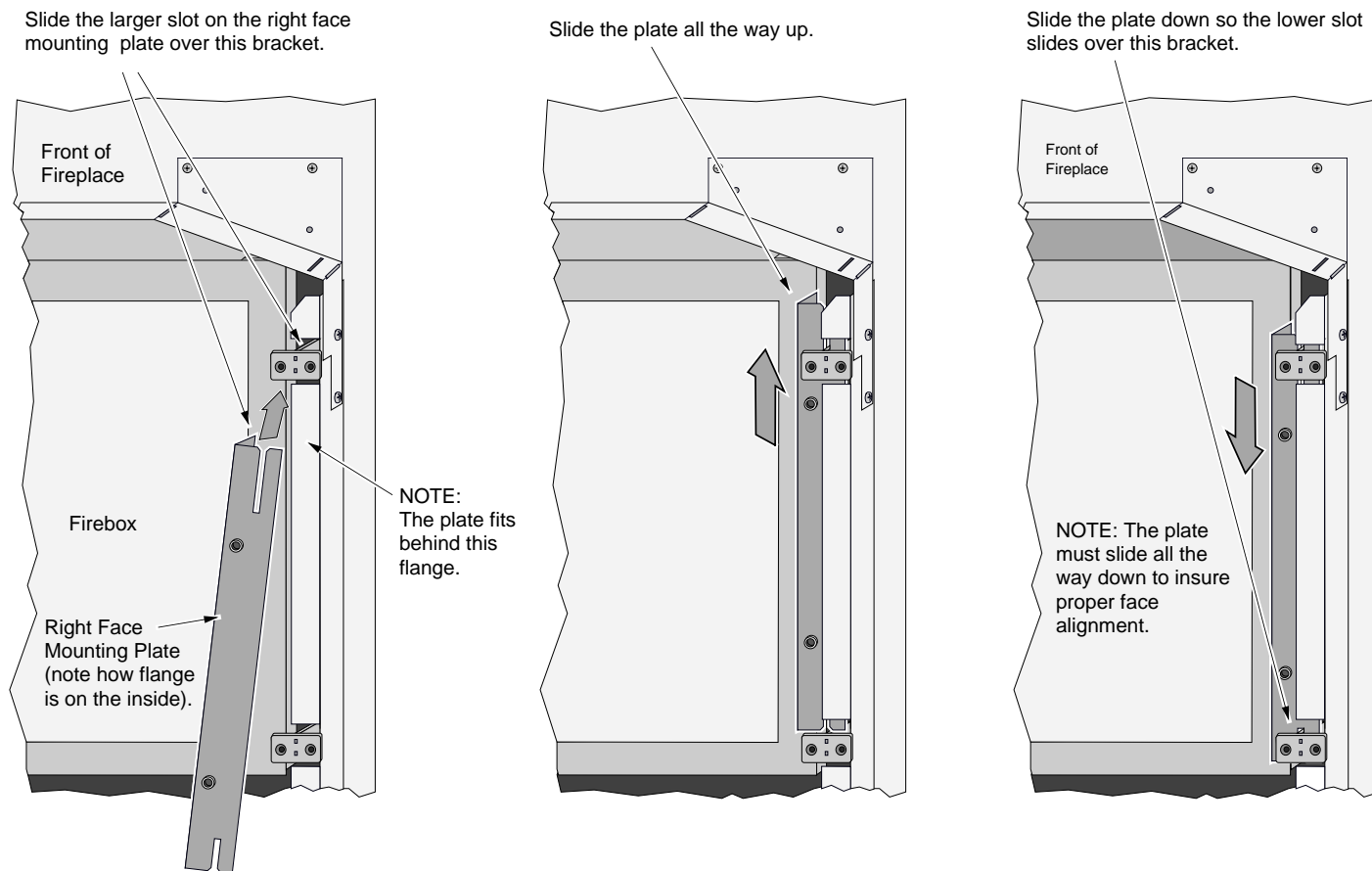
- Charcoal 98500567
- Antique Copper 98500569
- Antique Nickel 98500568

PACKING LIST

- Face
- Two Mounting Plates
- Four Square Head 1/4-20 Screws
- Pull Tool (for opening the control door while fireplace is hot)

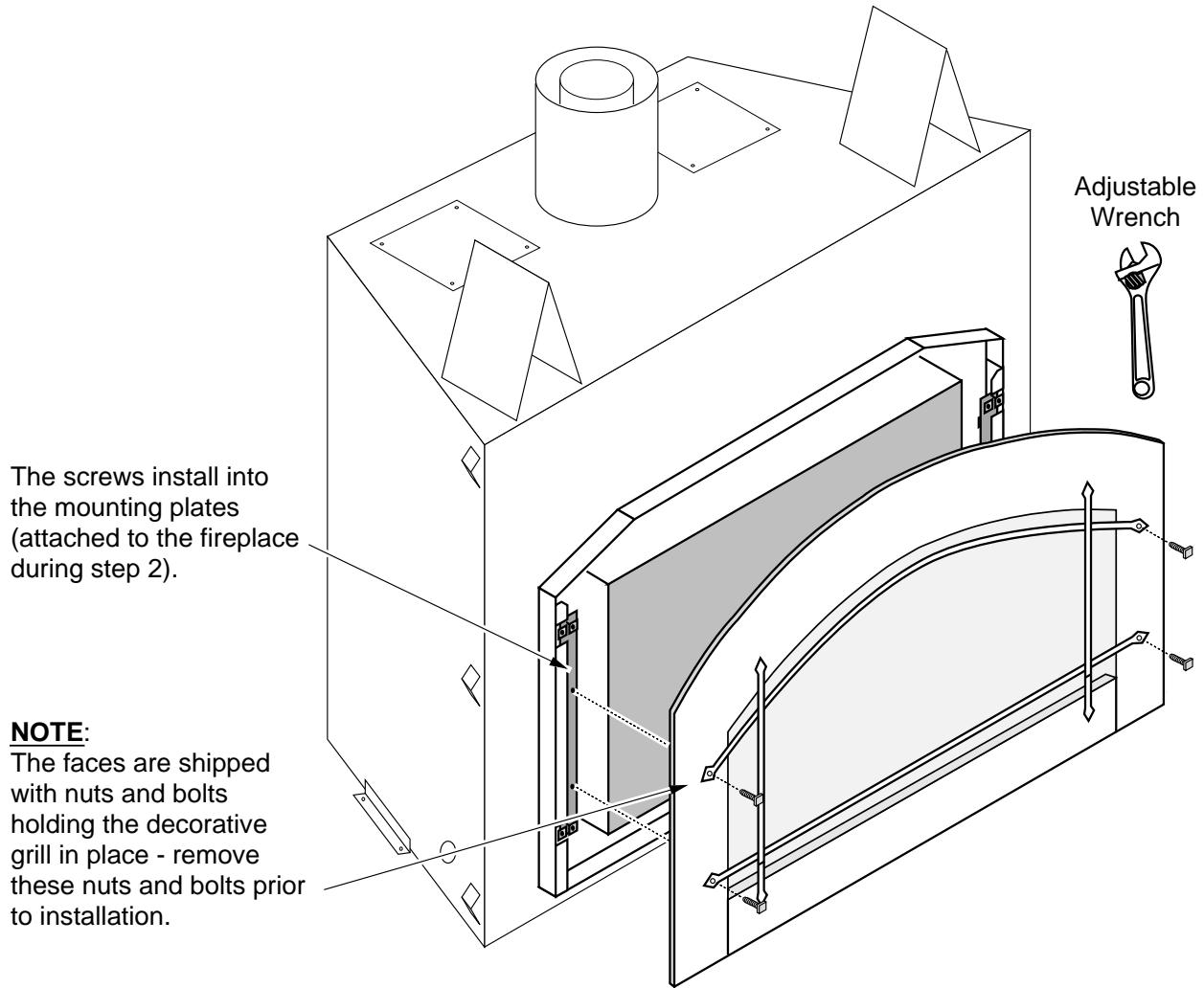
INSTALLATION INSTRUCTIONS

- ! Turn off gas to the appliance and make sure it has fully cooled prior to conducting any service.
- 1 The glass must be removed prior to installing the face. See the owner's manual for instructions.
- 2 Install both mounting plates following the directions below.



FPX 36 DV XL Artisan Face

- 3 Replace the glass (after installing the log set and starting the pilot).
- 4 Install the face onto the fireplace following the directions below.



Copper Surfaces

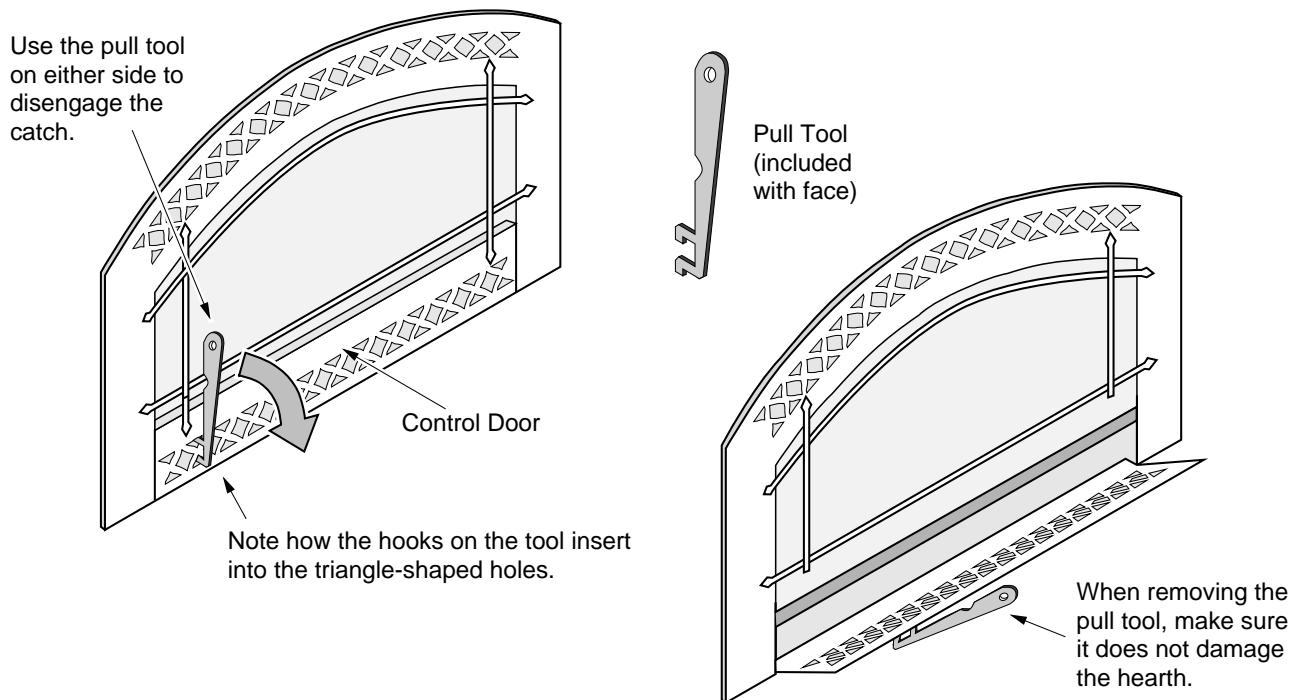
Use the included anti-oxidizer to clean the copper surface. See the included instruction sheet for full details.



FPX 36 DV XL Artisan Face

OPENING THE CONTROL DOOR

! The face becomes extremely hot during operation. To avoid burns, use the included pull tool to open the control door. Make sure the homeowner knows how to use this tool.



ADJUSTING THE CONTROL DOOR HINGE

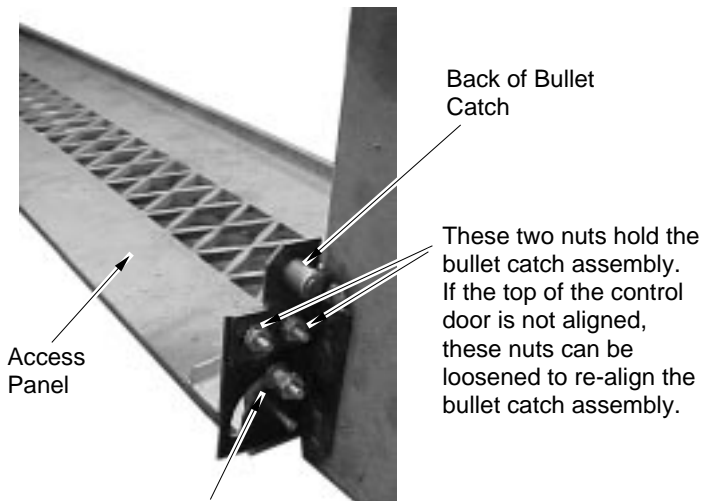
The control door hinge is adjusted at the factory. It can be adjusted if required. The illustrations below detail these adjustments.

Bullet Catch



This bullet-shaped device holds the control door upright. To tighten or loosen the catch, simply rotate it (it is threaded inside the assembly).

Back of Face (with face removed)



Adjust this nut to tighten or loosen the friction of the hinge.

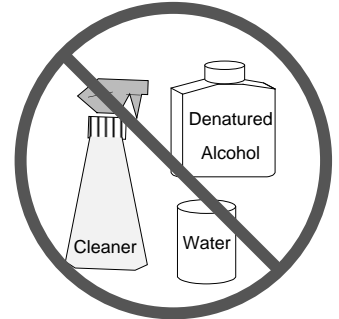


Handling Instructions for Copper-Plated Faces

The copper plating on this face is very unique. Its hand-crafted finish adds luster and beauty to Fireplace Xtrordinair fireplaces. It requires special handling and care to maintain its unique finish. One of the characteristics of copper is that it will oxidize over time, but it is easy to restore the luster following the instructions below:

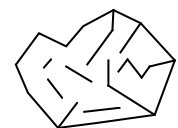
How to Preserve Your Copper Face:

- Use clean gloves to handle the face and prevent fingerprints.
- The copper will oxidize (turn yellow/green or black) if cleaned with anything other than "Fireplace Xtrordinair Copper Anti-Oxidizer". Denatured alcohol, soap, or water cleaning will lead to oxidation and cause the face to discolor.
- Use the anti-oxidizer to remove finger prints or discoloration of the finish. The anti-oxidizer cleaner will bleach some materials and should be kept away from skin, fabrics and carpets.
- Keep the blower "ON" while the fireplace is burning. High temperatures will accelerate the oxidation process, and for this reason we recommend that you always keep the blower operating while using the fireplace as this will help reduce the temperature of the face.



How to Apply the Anti-Oxidizer:

Make sure the face is cool before cleaning. Lay a tarp or other protector on the hearth and surrounding area prior to applying the Anti-Oxidizer. Apply a liberal amount of the anti oxidizer to a soft cotton cloth. Gently wipe the desired area clean. Do not wipe anti-oxidizer completely off. Leave a coat and allow it to dry. It must not, however, be dripping or running off the face. This cleaner is formulated to clean and protect the copper from oxidation. This cleaner is not intended for human consumption and must **be kept out of reach of children.**



Soft Cloth