

# FPX 44 DV XXL Architectural Face

## CHECK CONDITION OF SHIPMENT

Upon receipt of this kit, check the condition of the packaging. Damage to the package should be noted on the carrier's freight receipt. Any damage claims as a result of shipping must be handled through the shipper. Travis Industries will provide assistance in resolving shipping claims or replacing items not included in the package. Please report any missing items immediately.

## COMPATIBILITY

- Fireplace Xtordinaire 44 DV XXL

## ITEMS NEEDED FOR ASSEMBLY

- 7/16" Nutdriver or Wrench

## PART NUMBERS

- |                                      |   |
|--------------------------------------|---|
| French Country Antique Gold 98500591 | Arts and Crafts Antique Copper 98500593 |
| Art-Deco Brushed Nickel 98500594     | Neo-Classic Brushed Nickel 98500595     |

## PACKING LIST

- Face      • Two Face Mounting Brackets      • 4 (four) 1/4-20 x 1/2" Bolts

## INSTALLATION INSTRUCTIONS

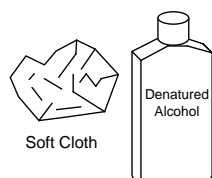
! Turn off gas to the appliance and make sure it has fully cooled prior to conducting service.

1 Install both mounting plates following the directions below.

2 The face mounts to the brackets as shown to the right.

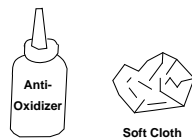
### Gold Surfaces

Use denatured alcohol and a soft cloth to clean gold. Marks left on the gold surface may damage the face.

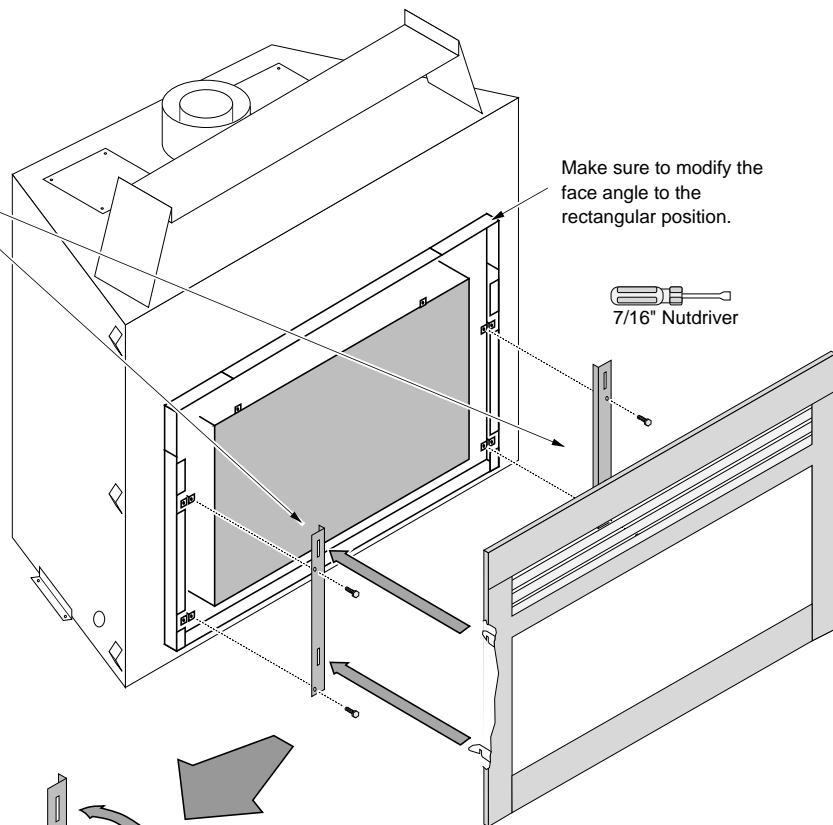
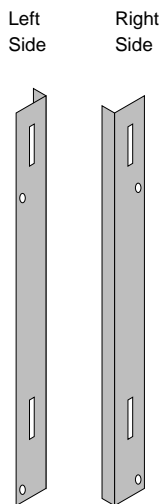


### Copper Surfaces

Use the included anti-oxidizer to clean the copper surface. See the included instruction sheet for full details.



Install the face mounting brackets onto the fireplace using the included screws.



### FACE MOUNTING:

Tilt the face back and insert the bottom brackets into the third slot from the top on both sides until they lock in place.

Lift and rotate the face forward until the top brackets lock into the upper slots.