

Compatibility:

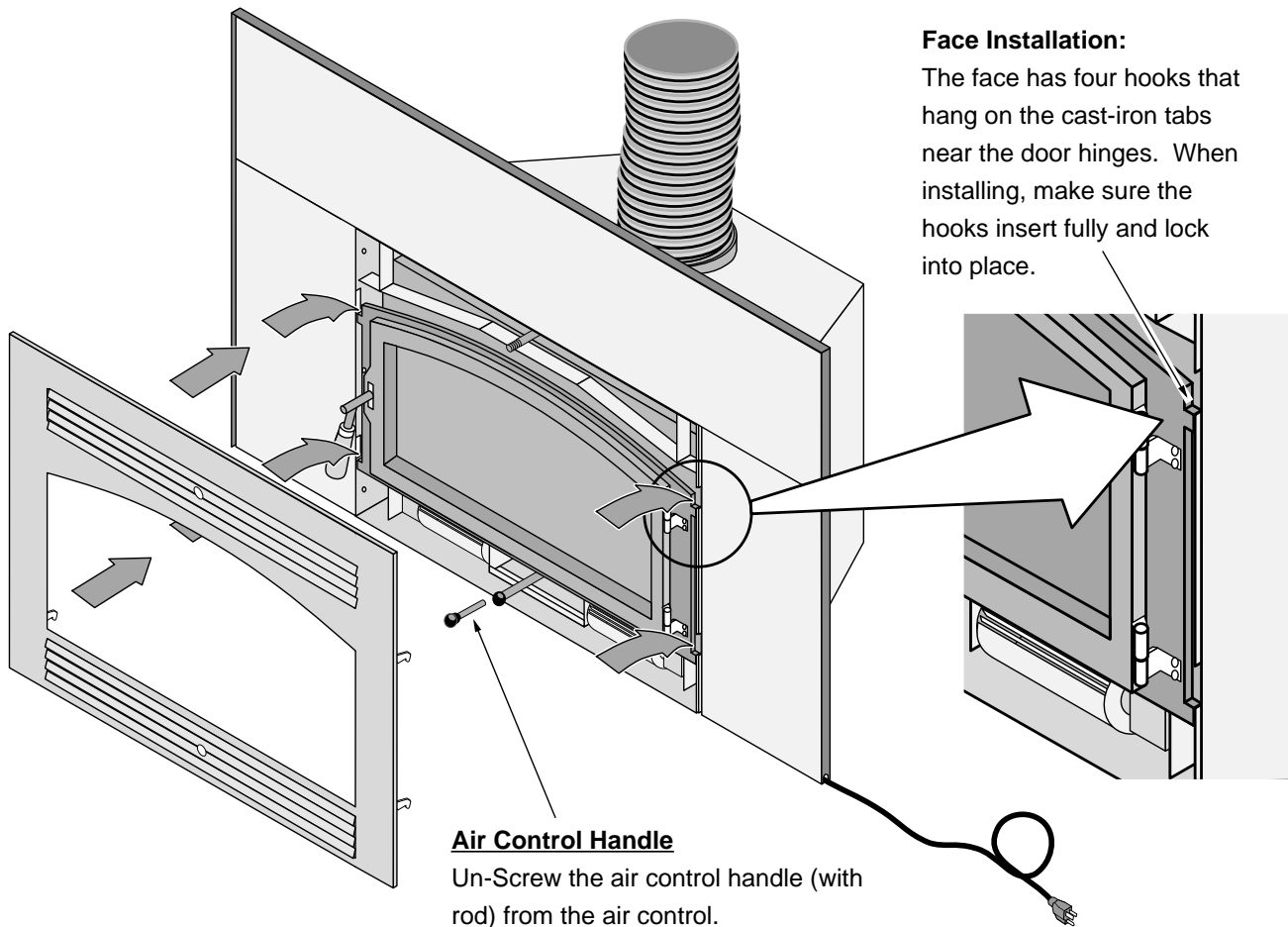
- Flush Wood Plus Insert

Packing List:

- Face
- Bypass Handle
- Emblem
- (2) Nuts

Installation

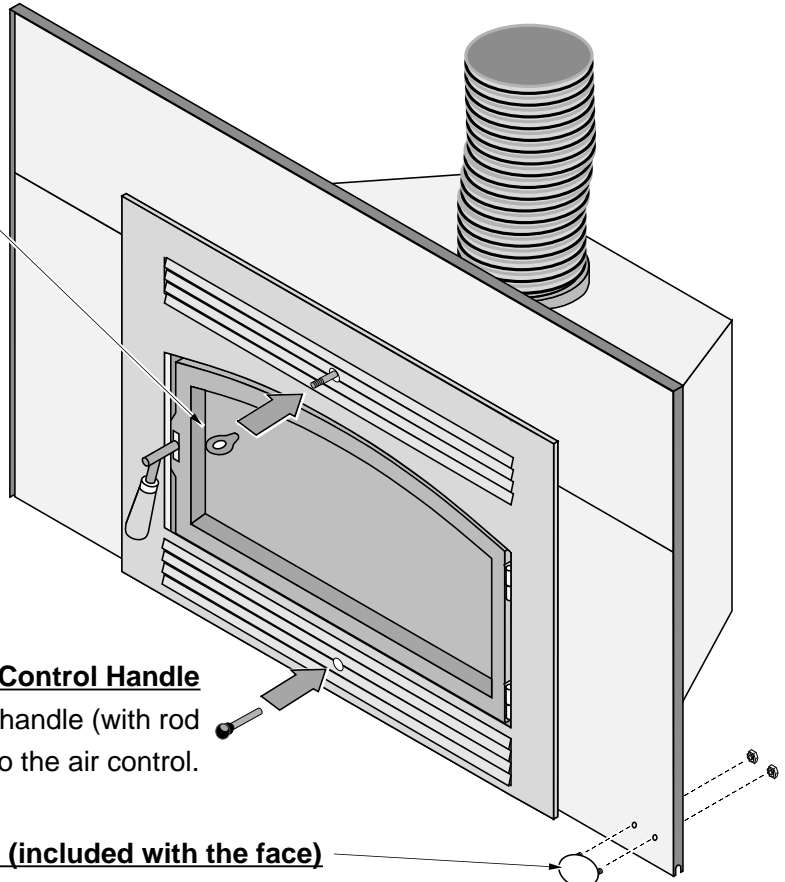
- 1 Before installing, the insert should be in place with the surround panels attached. If using the decorative grills, install them prior to attaching the face. Install the face following the directions below.



- 2 Install the bypass handle, air control handle, and emblem following the directions below.

Bypass Knob (included with face)

Screw the bypass knob onto the damper control rod.



Air Control Handle

Screw the air control handle (with rod attached) onto the air control.

Emblem Installation (included with the face)

Secure the emblem to the right side panel with the two nuts (included with the face).