

Compatibility:

- Flush Wood Insert with 33 Elite Face

Packing List:

- Upper Grill
- Lower Grill

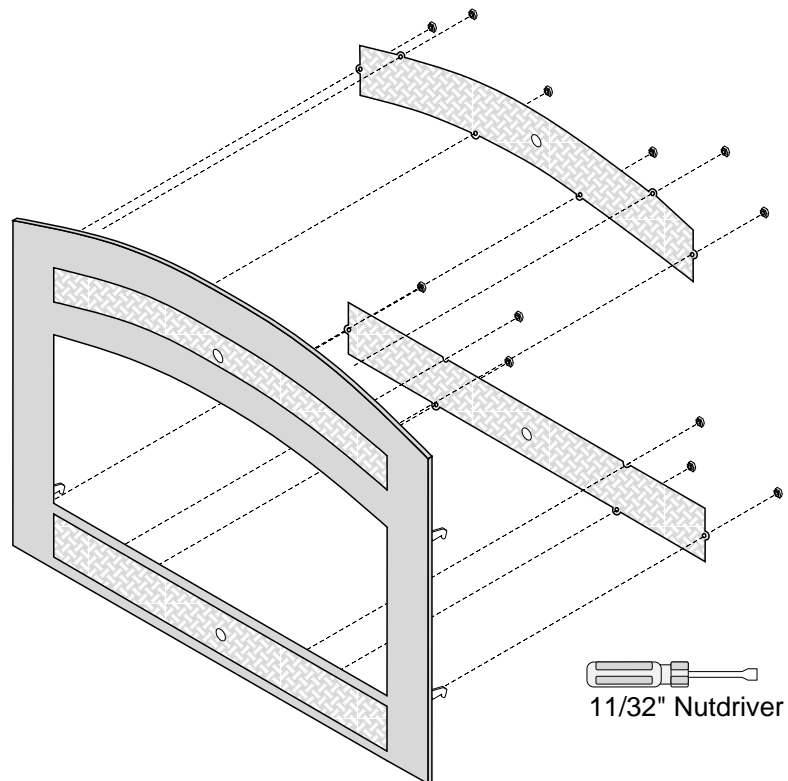
Installation

- 1 Install the grills following the directions below.

The upper and lower grills are attached with nuts. Remove the stock grills and replace with the grills included with this kit.

HINT

Clean the plated surfaces prior to installing.



Plated Surfaces

Use denatured alcohol and a soft cloth to clean plated surfaces. Marks left on the surface may become damaged when heated.

