



**TRAVIS INDUSTRIES
HOUSE OF FIRE**

864TRV - 564 SS

Blower Installation Instructions

99000156

Packing List:

- Rheostat Assembly (with wiring harness)
- (2) Blower Assemblies (1 left, 1 right)
- Snap Disc
- (4) Brass Bushings
- (4) # 8 x 3/4" Screws
- (2) # 8 x 3/8" Black Screws (for Rheostat Assembly)

Installation



Make sure power to the fireplace has been turned off prior to installation (disable the service breaker).

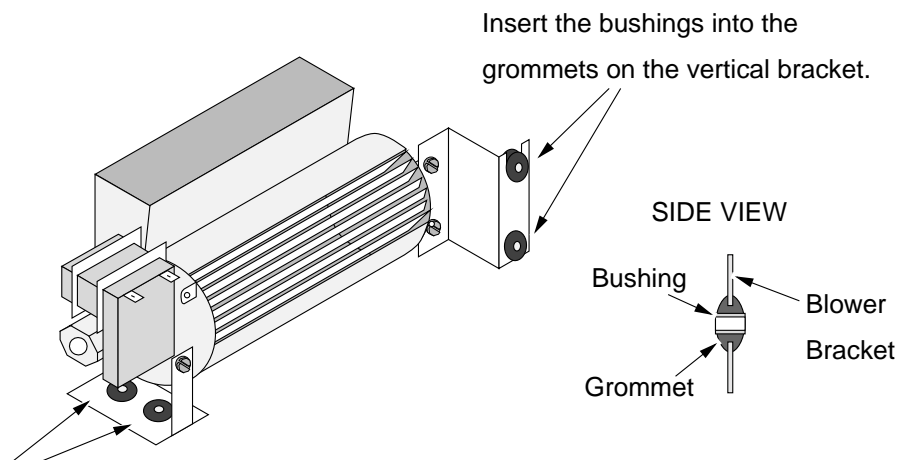


Do not connect 110-120 VAC to the gas control valve or wiring system of this fireplace.



It is easier to install the blower prior to connecting the gas line.

1. Insert the brass bushings into the rubber grommets on the vertical brackets on the blower assemblies (both sides).



Make sure these two grommets are in place (they insulate the fireplace from blower vibration).



TRAVIS INDUSTRIES
HOUSE OF FIRE

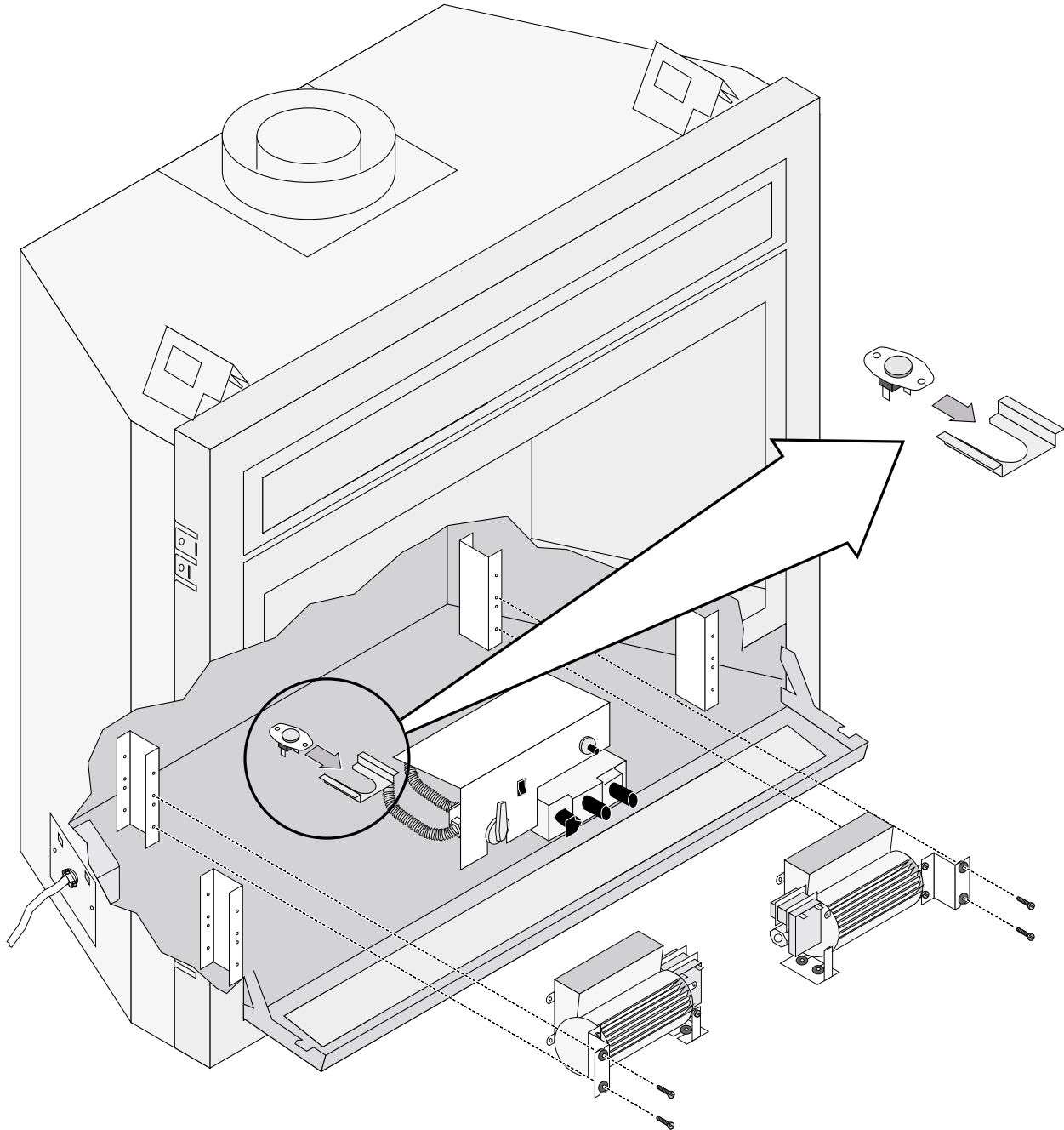
864TRV - 564 SS

Blower Installation Instructions

99000156

2. Attach the blowers (use the #8 x 3/4" silver screws) and snap disc following the directions below.

NOTE: Make sure the grommets (and bushings) stay in place while installing. The rubber grommets insulate the fireplace from any blower vibration (reducing noise).





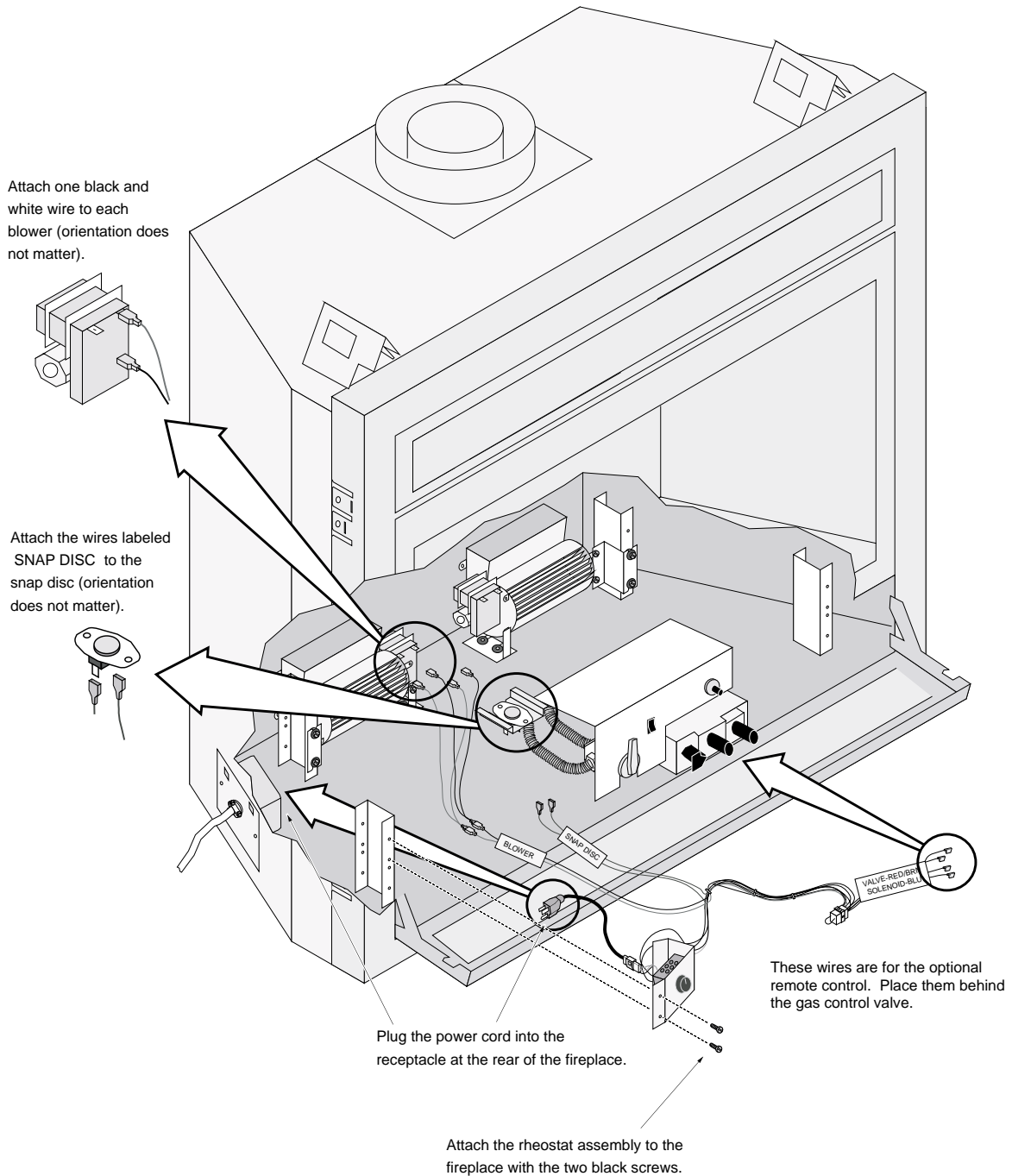
Blower Installation Instructions

99000156

3. Attach the wiring and rheostat assembly following the directions below.

NOTE: You may need to cut or adjust some of the lock ties on the wiring harness.

NOTE: Make sure wiring does not contact blower impellers or any hot surfaces. Use lock-ties if necessary.



4. Turn on power to the fireplace.

NOTE: To test the blower without turning on the fireplace, use a jumper wire to connect the two snap disc wires together (turn off power prior to connecting the jumper wire).