



# Declaration Flush Wood Insert Grill

Arabesque Pewter - 91002151

## **Compatibility:**

- Flush Wood Insert with Declaration Face

## **Packing List:**

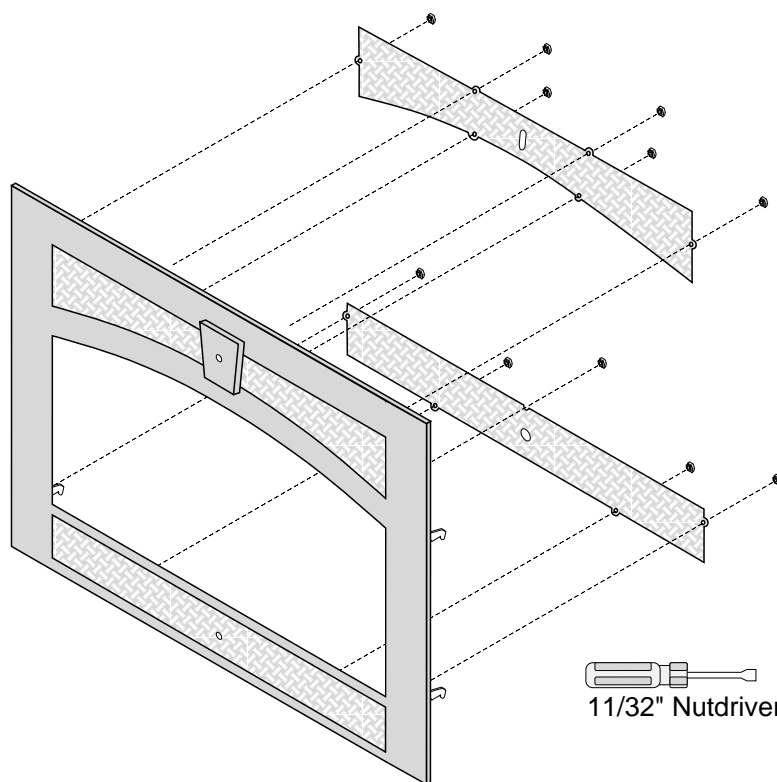
- Upper Grill
- Lower Grill

## **Installation**

The upper and lower grills are attached with nuts. Remove the stock grills and replace with the grills included with this kit.

### **HINT**

Clean the plated surfaces prior to installing.



11/32" Nutdriver

### **Plated Surfaces**

Use denatured alcohol and a soft cloth to clean plated surfaces. Marks left on the surface may become damaged when heated.

