

Compatibility:

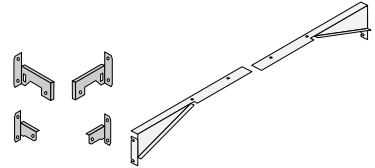
- 864TRV Fireplace

Packing List:

- Face
- (2) Face Mounting Brackets (w screws)
- Glass Frame Cover
- (4) 8-32 Nuts
- (2) 10-24 1-1/2" Screws



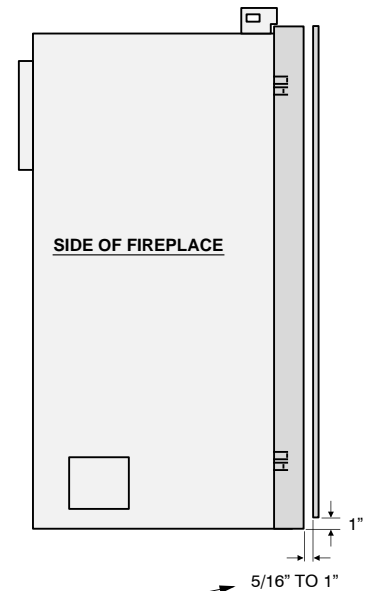
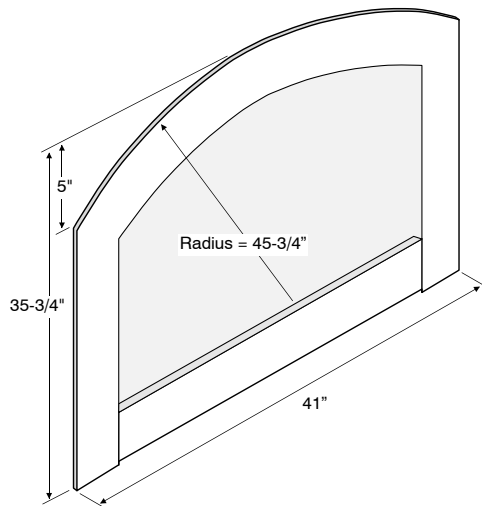
The FPX Face Upgrade Kit (98500686) must be installed prior to installing the facing material and face.



Hand-Rubbed Patina Finishes

The optional patina finish is hand applied by a skilled artisan to permanently alter the metal colors and texture of the face. Each face is individually hand-polished and fired in an oven which imparts unique color subtleties with no two finishes alike. The patina finish on your face is a "living" color and will age and antique over time. Enjoy the timeless, rich luster of your beautiful new face.

Installation Details

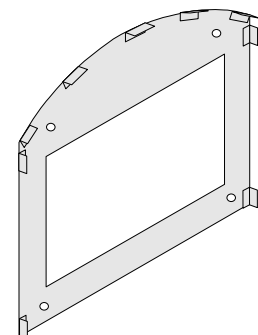


NOTE:

This face has an adjustable bracket that allows for different facing depths to be tucked under the face.

NOTE FOR THICK FACING (BRICK, ROCK, ETC.):

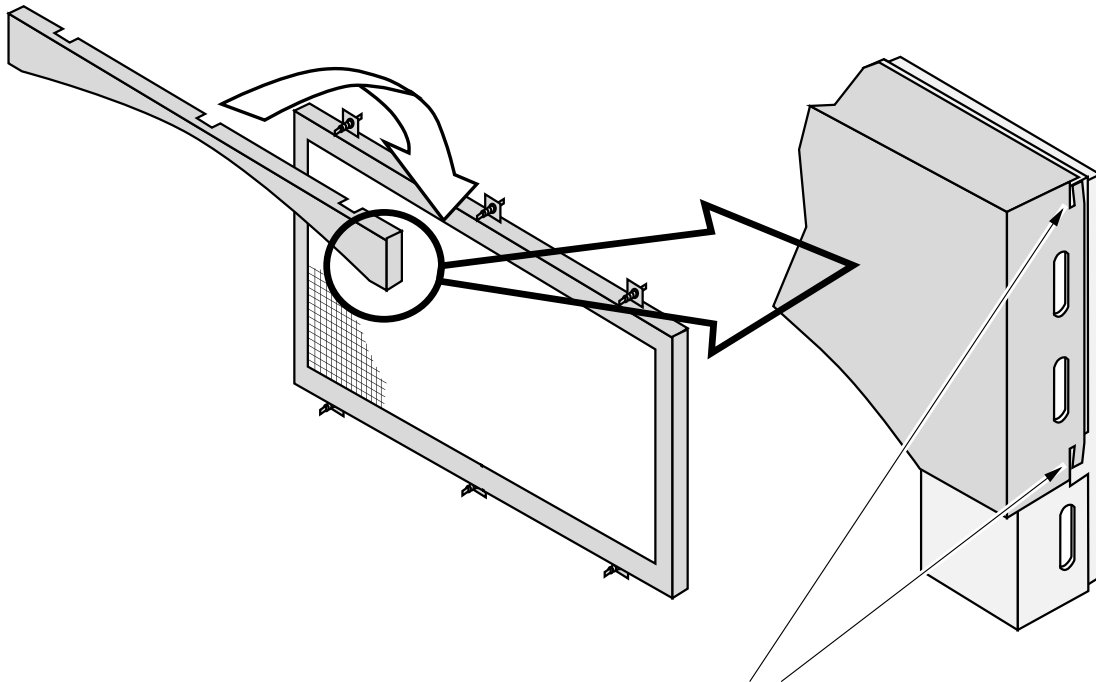
The Fireplace Xtrodinair 864 Set-Up Face is recommended for masonry installation (98500688). The set-up face helps locate and support the masonry during installation.



Installation

- 1 Remove the glass frame (see the owner's manual for details). Install the glass frame cover following the directions below. Replace the glass frame.

Place the cover over the top of the door frame.



Push these pins inwards
to lock the cover in place.

864TRV Arched Face

Classic Black: 99300497

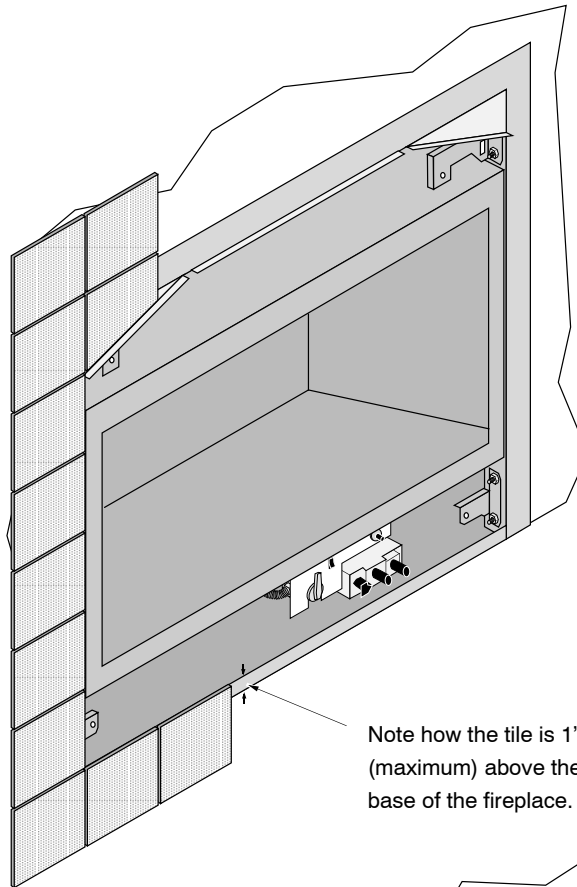
Artisan: 99300498

French Country Black: 95800616

Artisan Patina Bronze 95800621

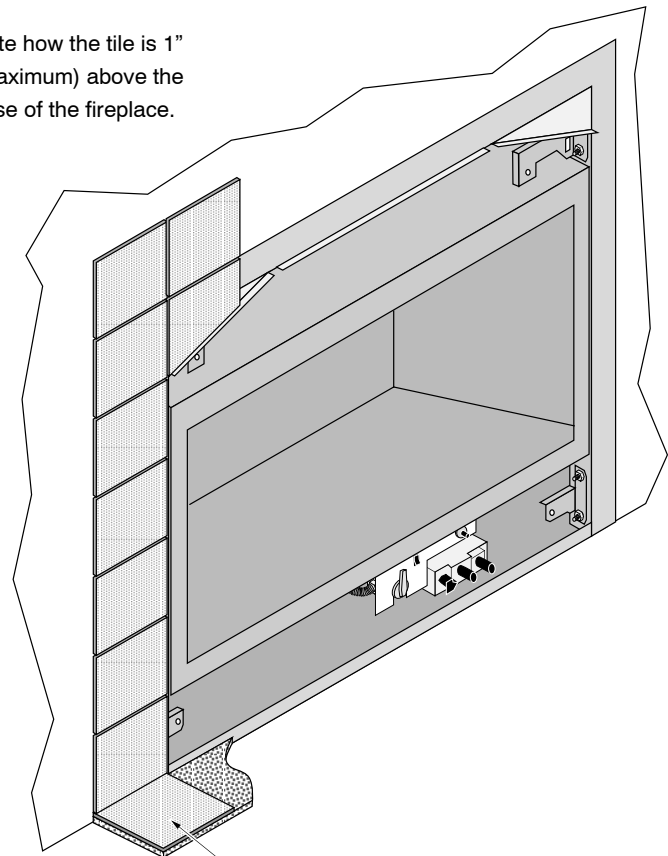
- The facing and hearth (if applicable) must be installed prior to attaching the face. See the installation manual for complete details.

Raised Fireplaces



Note how the tile is 1"
(maximum) above the
base of the fireplace.

Floor-Level Fireplaces



Maximum 1" Hearth



**FIREPLACE
XTORDINAIR™**

Imagine a Fireplace for Every Room

864TRV Arched Face

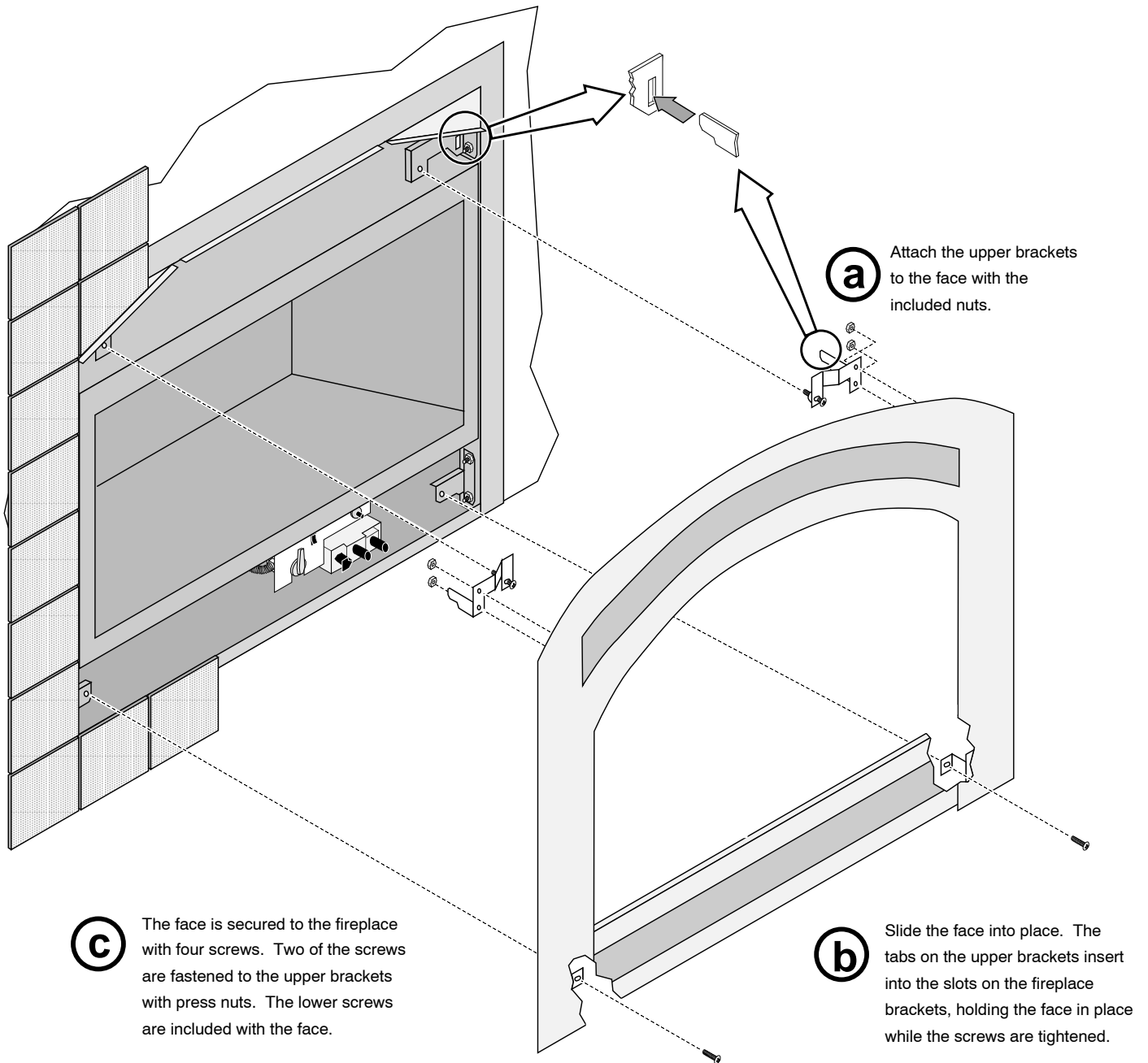
Classic Black: 99300497

Artisan: 99300498

French Country Black: 95800616

Artisan Patina Bronze 95800621

3 Install the face following the directions below.



Plated Surfaces

Use denatured alcohol and a soft cloth to clean plated surfaces. Marks left on the surface may damage the face.

