



# DVL GSR / 33 DVI Firebacks

96100150 Brick/Herringbone (2 Sided) - 96100274 Handmade Brick -- 96100275 Reclaimed Brick

## Packing List

- Rear Fireback
- (2) Side Firebacks

## Installation

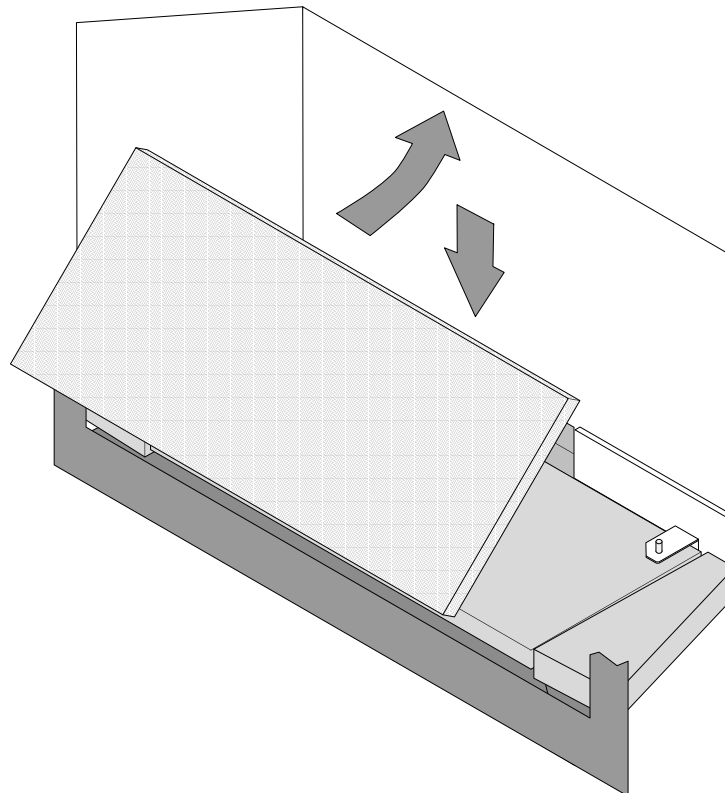


**The rear fireback is rectangular and must be placed right-side-up. Lay the firebacks on a flat surface prior to installing to verify the grout lines are aligned.**

**WARNING** Turn off gas to the appliance and make sure it has fully cooled prior to conducting service.

**NOTE** On two-sided firebacks make sure to use the desired pattern.

- 1 Remove the glass frame and logs (see the manual for details).
- 2 Remove the burner (see the manual for details).
- 3 On the DVL GSR, bend the accent light down.
- 4 Install the rear fireback as shown below. The top slides behind the baffle and the bottom rests on the shelf at the back of the firebox.



- 5 On the DVL GSR, return the accent light to the correct configuration.



TRAVIS INDUSTRIES  
HOUSE OF FIRE

## DVL GSR / 33 DVI Firebacks

96100150 Brick/Herringbone (2 Sided) - 96100274 Handmade Brick -- 96100275 Reclaimed Brick

- 6 Install the side firebacks following the directions below.
- 7 Replace the burner and restore the appliance to the correct configuration.

