



Compatibility:

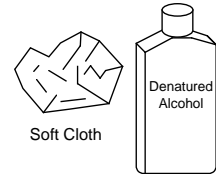
- 564 Electric Fireplace

Packing List:

- Matrix Face
- Heat Shield

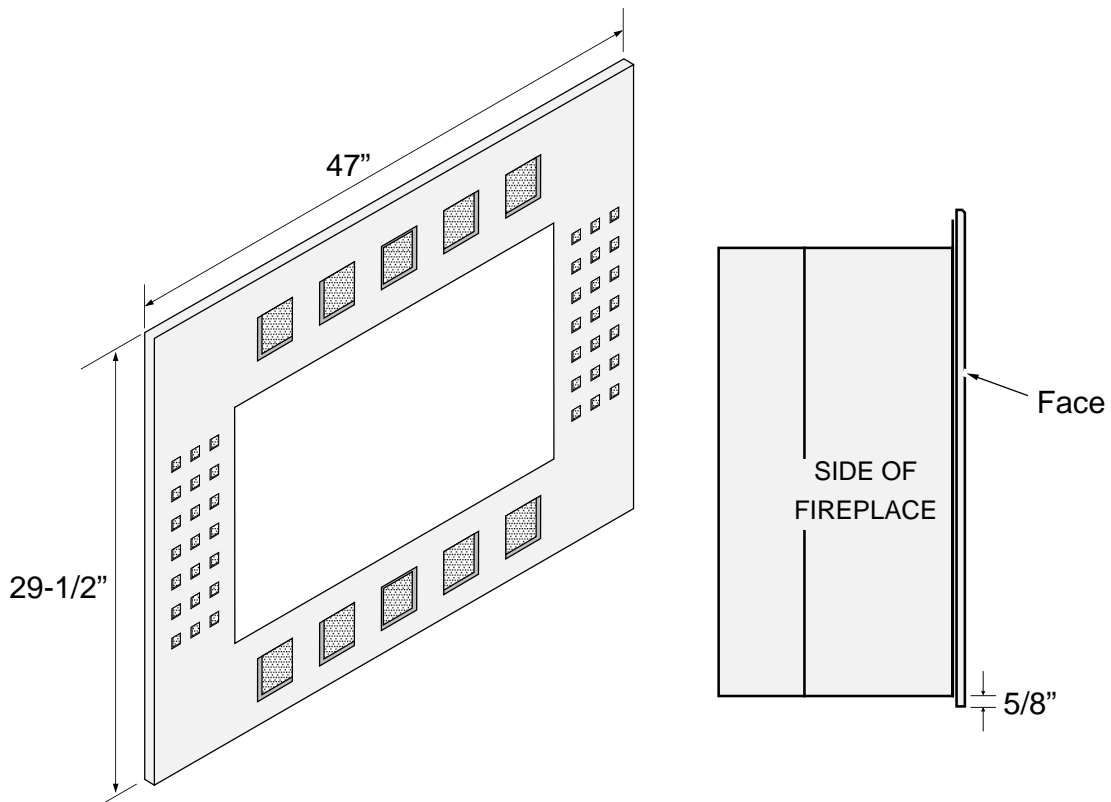
Plated Surfaces

Use denatured alcohol and a soft cloth to clean plated surfaces. Marks left on the surface may damage the face.



Installation Notes

This face will not work with the Travis Mantel. The face extends 5/8" below the base of the fireplace and is 47" wide (too wide for the mantel). When building an enclosure for the fireplace, make sure to raise it a minimum 3/4" above the flooring surface (typically 18" or higher).



Re-Painting the Back Panels

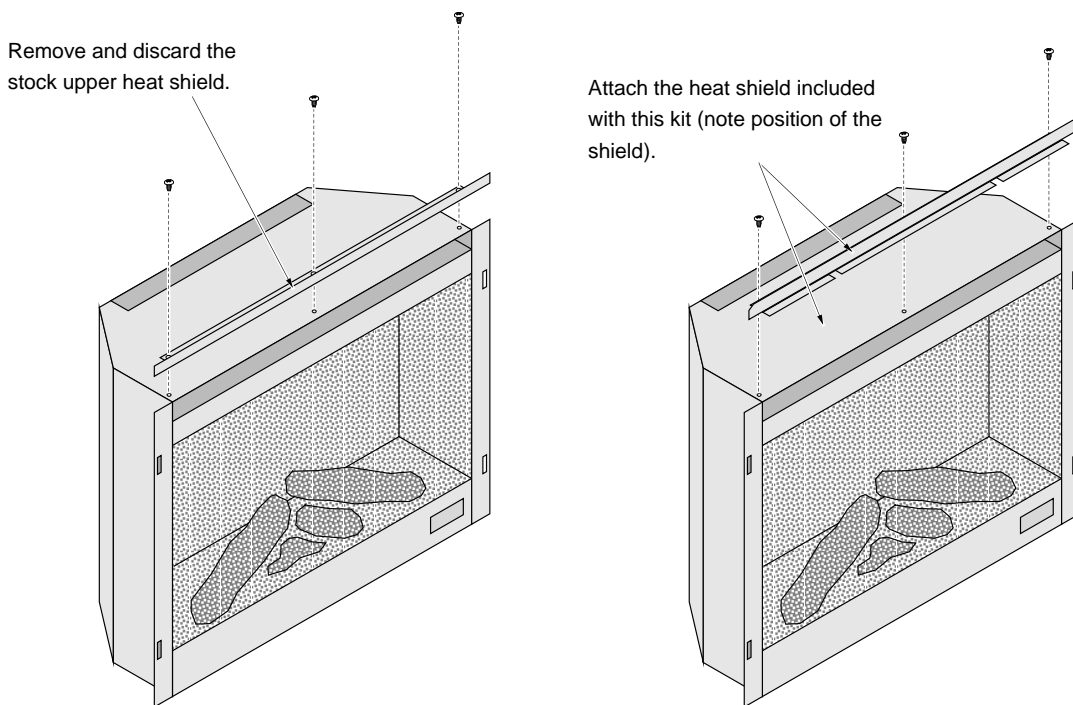
This face has removable back panels that may be re-painted to suit your interior decor. They may be re-painted using high temperature paint (400° engine enamel paint). Prepare the surface using a Scotch-Brite® pad to insure proper paint adhesion.



Installation

NOTE: We recommend pulling the fireplace out a couple of inches while installing or removing the face to insure the hooks on the face fully engage the slots on the fireplace.

- 1 Install the heat shield following the directions below.



- 2 Attach the face following the directions below.

