



564 Double-Door Onlay

Arch Bronze 96300770 Arch Nickel 96300771 Arch Copper 96300772

Rect. Bronze 96300780 Rect. Nickel 96300781 Rect. Copper 96300782

Compatibility:

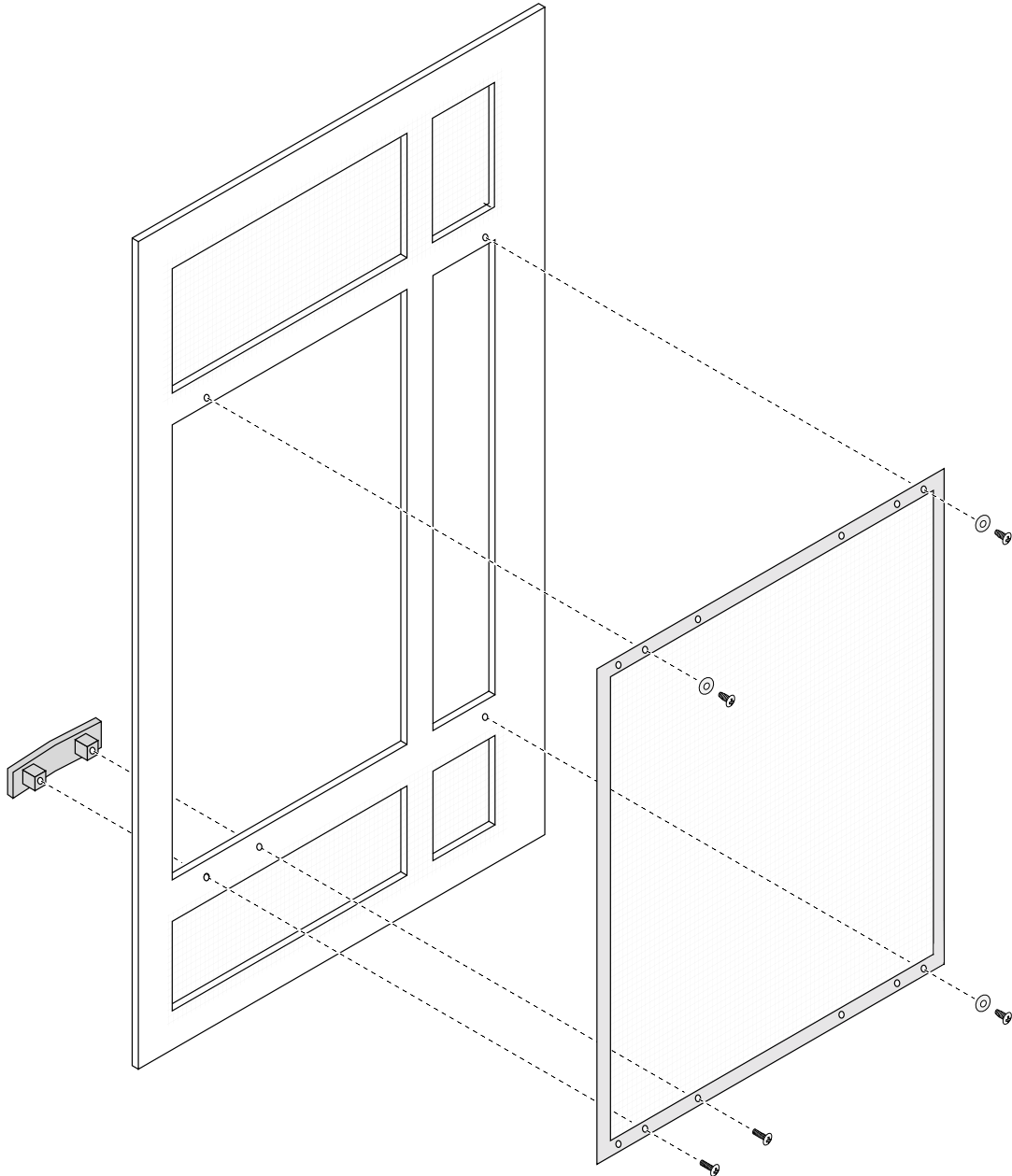
- 564 SS Fireplace with FPX Double-Doors
- 564 Electric Fireplace with FPX Double-Doors

Packing List:

- (2) Door Onlays (Left and Right Side)
- (6) 8-32 Acorn Nuts
- 13/64" Drill Bit

Installation

- 1 Remove the center screen and handle from the door (both sides).



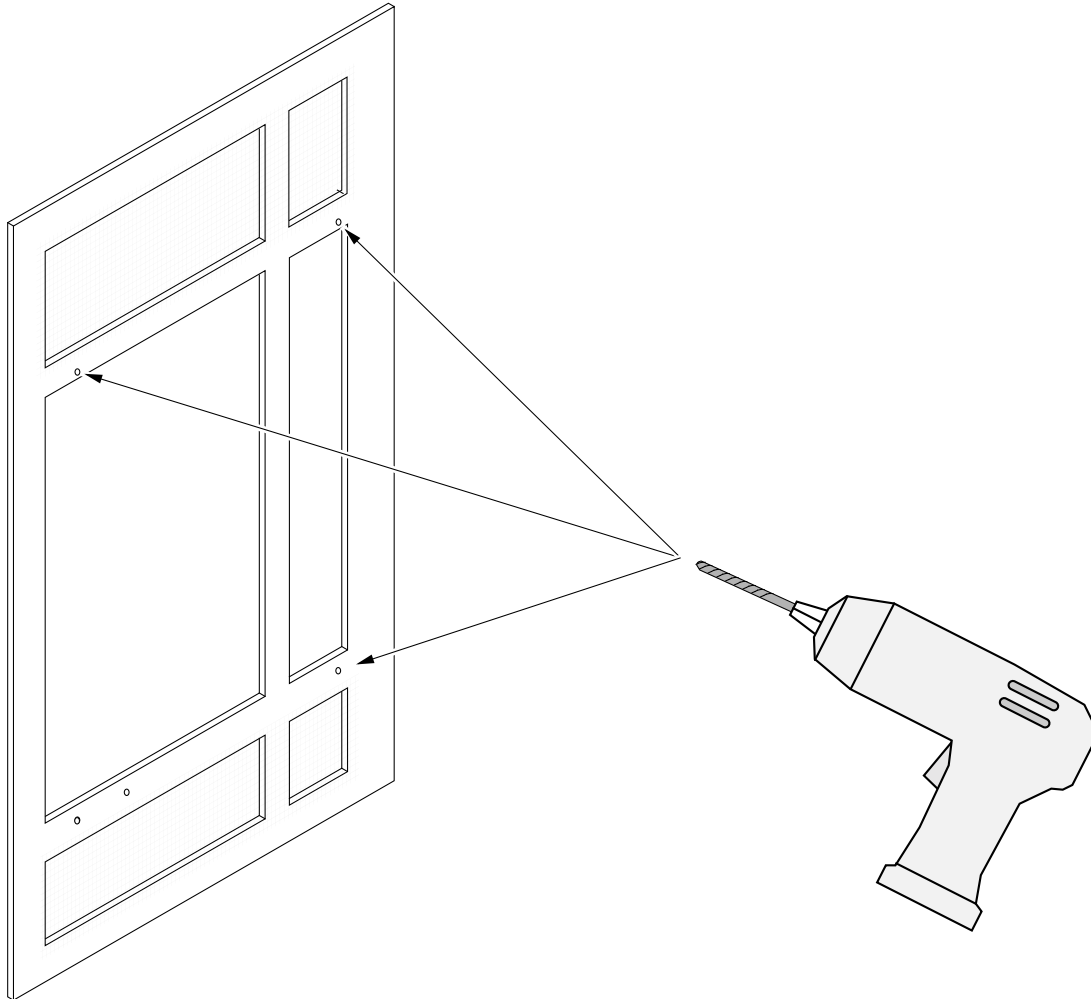


564 Double-Door Onlay

Arch Bronze 96300770 Arch Nickel 96300771 Arch Copper 96300772

Rect. Bronze 96300780 Rect. Nickel 96300781 Rect. Copper 96300782

- 2 With the doors removed, locate the three holes used to secure the center screen to the door (see the illustration below). Use the included 13/64" drill bit to drill through the doors in these locations (both doors). Remove any burrs from the holes.





564 SS Screen Warning

Remove the screen from either the glass frame (on the fireplace – see operation manual) or doors (center screen only). Operating the appliance with both screens in place will lead to a safety hazard and void the warranty. See the instructions included with the double-doors for removing the screen from the glass frame on the fireplace.

- 3 Follow the directions below for the type of fireplace configuration used.



Handling the Plated Onlays

Use non-scratching gloves to handle the onlays. Because of the intricate pattern cut into this accessory, fingerprints (or other marks) left on the onlays become difficult to clean off once in place. Before installing, remove the protective wrap.

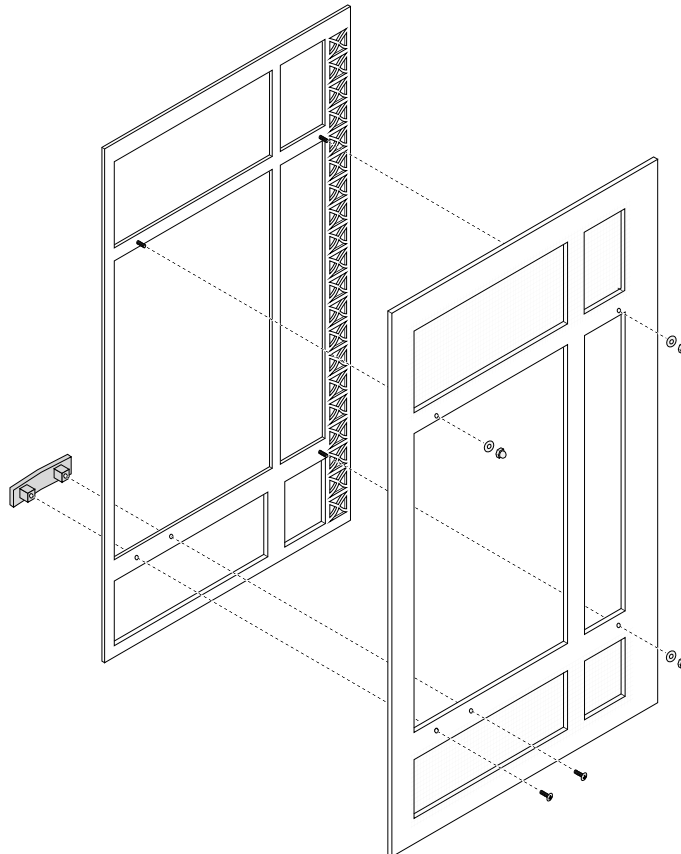
564 Electric – or - 564 SS With No Door Screen

Install the onlays and handles as shown below. Use the washers removed in step 1 when attaching (as well as the acorn nuts included with this kit).



Helpful Hint

During shipment the onlays may develop a slight bow. If the onlays don't seat flat against the doors, simply remove the onlay and gently straighten by hand. Be careful to not over-adjust.

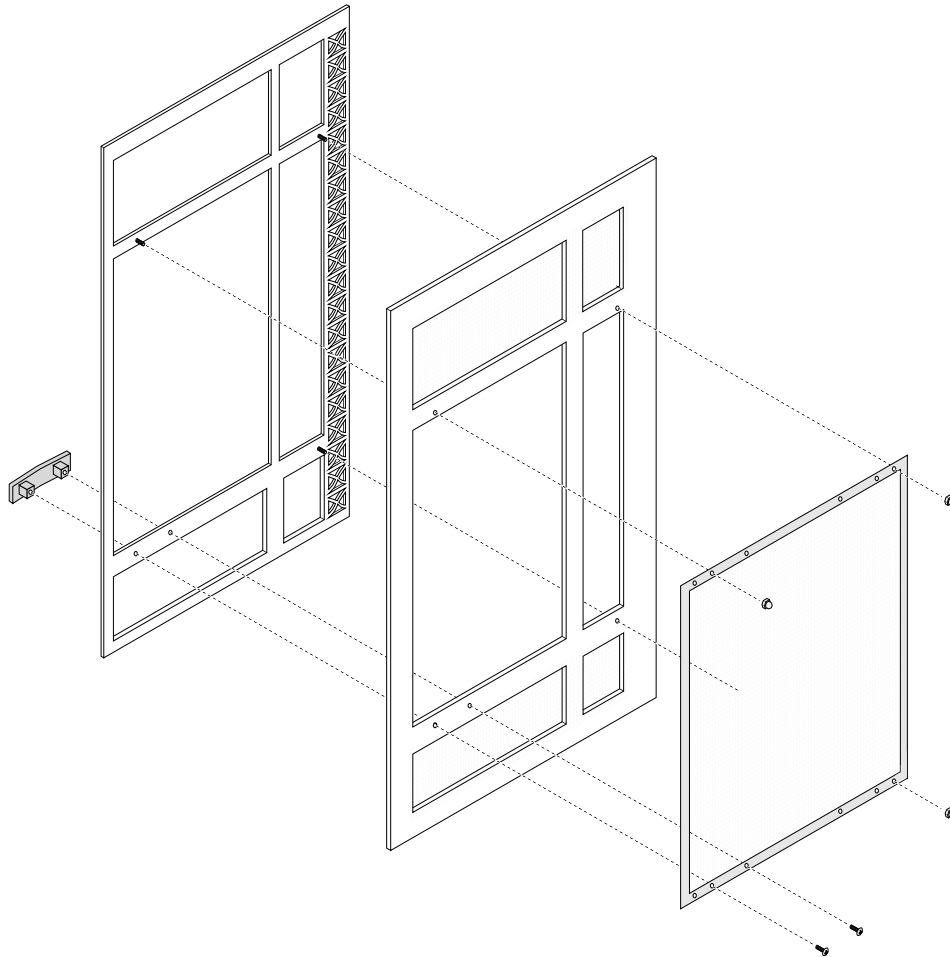


564 SS With Door Screen in Place (Screen from fireplace MUST be removed)

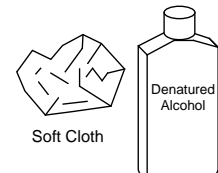
Install the onlays and handles as shown below. Use the included acorn nuts to attach - **do not use the washers removed in step 1.**

**Helpful Hint**

During shipment the onlays may develop a slight bow. If the onlays don't seat flat against the doors, simply remove the onlay and gently straighten by hand. Be careful to not over-adjust.

**Plated Surfaces (Bronze & Nickel)**

Use denatured alcohol and a soft cloth to clean plated surfaces. Marks left on the surface may damage the face.

**Copper-Plated Surfaces**

See the instructions included with these onlays for cleaning with citric acid.