



TRAVIS INDUSTRIES
HOUSE OF FIRE

Trim, 36 CF / 1080 CF

NOTE: Earlier version of the 36 CF fireplace did not have studs on the glass frame and will not accept the glass trim.

Part Numbers

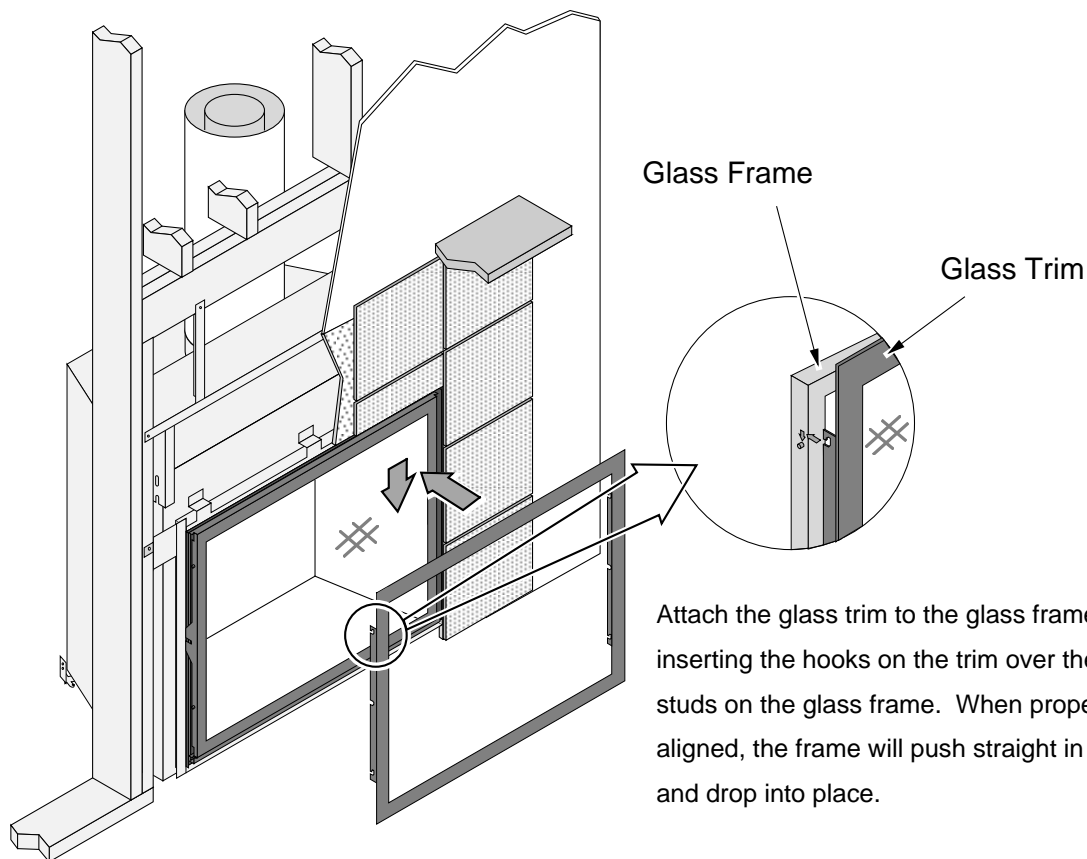
Rectangular

- Bronze 95900116
- Nickel 95900118
- Artisan 95900119
- Independence 95900264
- Forest Grove 95900266

Arched

- Nickel 95900123
- Bronze 95900124

Installation



Attach the glass trim to the glass frame by inserting the hooks on the trim over the studs on the glass frame. When properly aligned, the frame will push straight in and drop into place.

WARNING: Make sure the fireplace has fully cooled prior to handling the trim.

Plated Surfaces

Use denatured alcohol and a soft cloth to clean plated surfaces. Marks left on the surface may damage the trim.

