



fireplacextrordinaire™

864 Double-Door Face

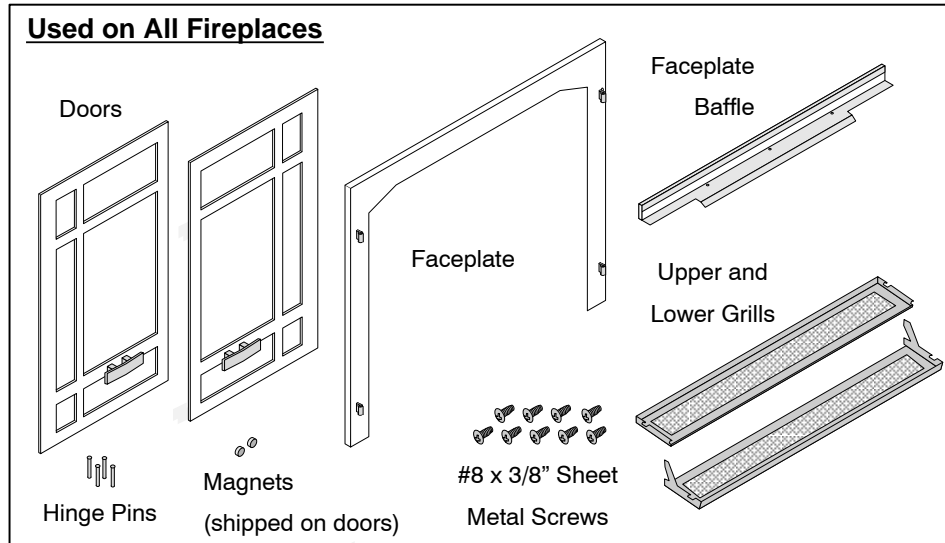
95800740 (Arched)

95800742 (Rectangular)

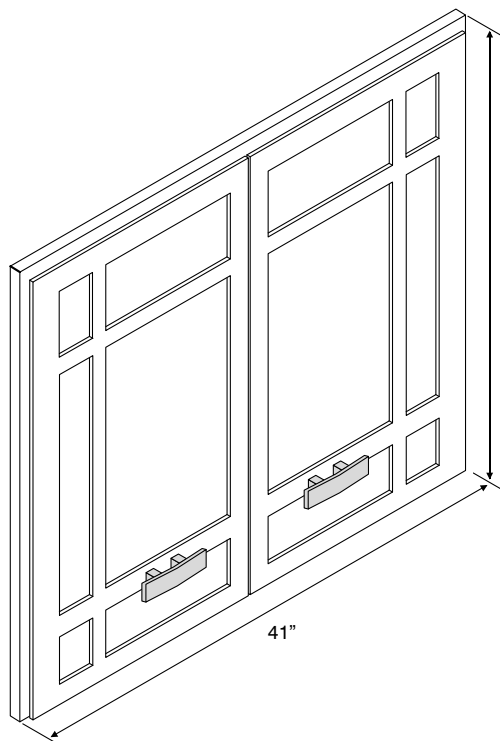
Compatibility:

- 864 TRV GS
- 864 HO
- 864 ST

Packing List:



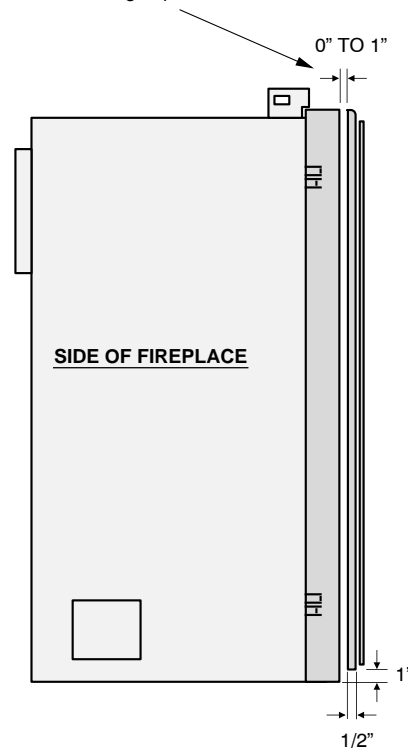
Installation Details



NOTE: If using facing over 1/2" thick, the doors will not fully open.

NOTE:

This face has an adjustable bracket that allows for different facing depths to be tucked under the face.





fireplacextrordinair™

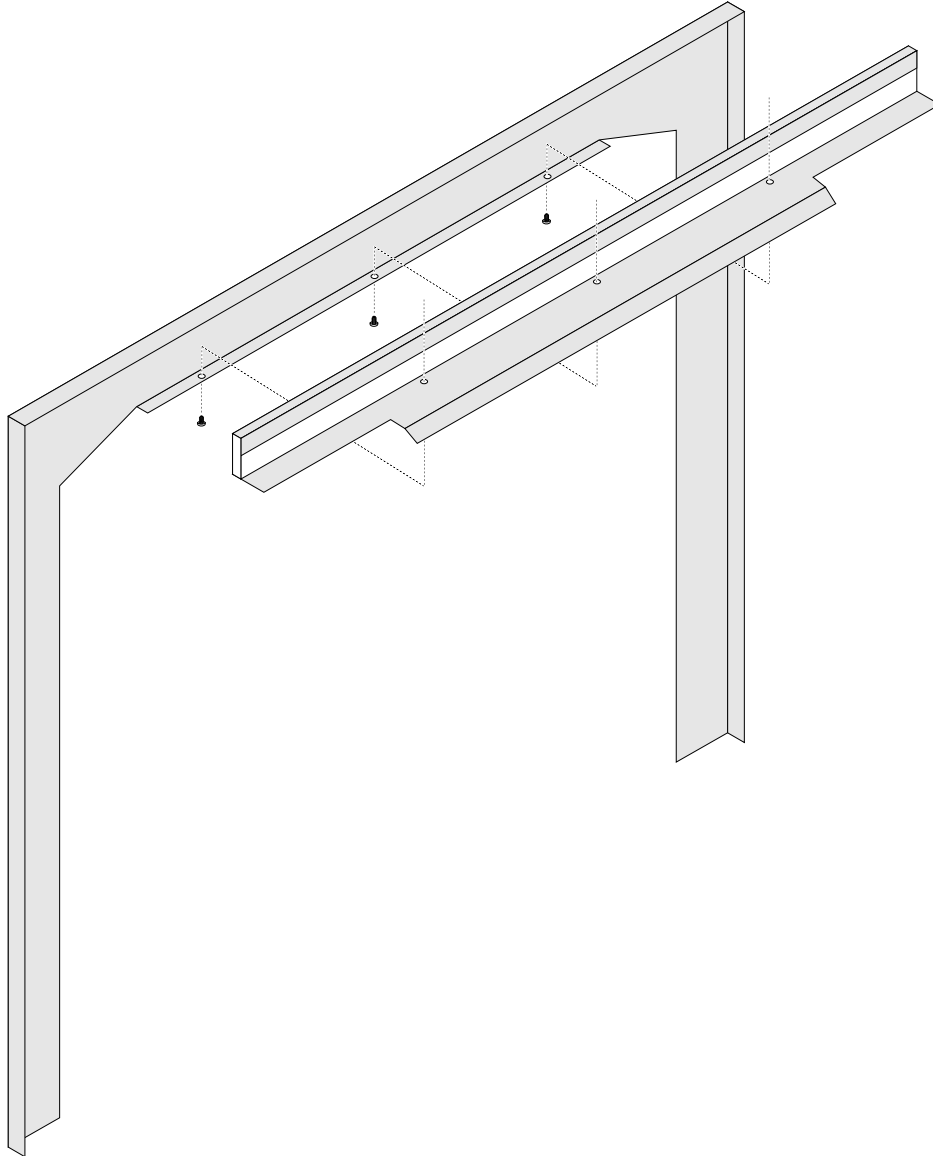
864 Double-Door Face

95800740 (Arched)

95800742 (Rectangular)

Installation

- 1 Remove the glass frame from the fireplace (see the owner's manual for details).
- 2 Install the baffle onto the back of the face following the directions below.



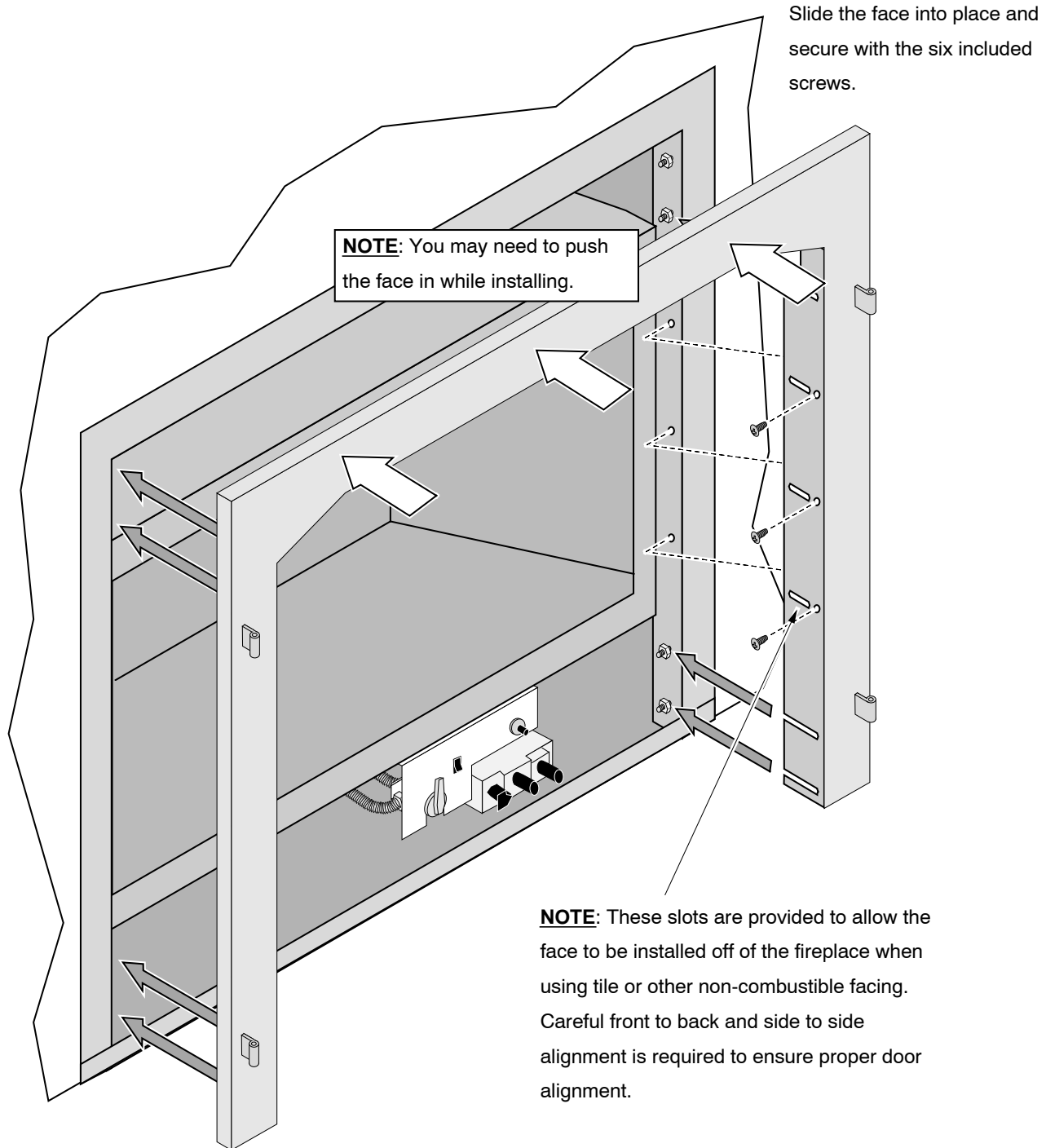


864 Double-Door Face

95800740 (Arched)

95800742 (Rectangular)

- 3 Attach the face to the fireplace following the directions below.





fireplacextrordinair™

864 Double-Door Face

95800740 (Arched)

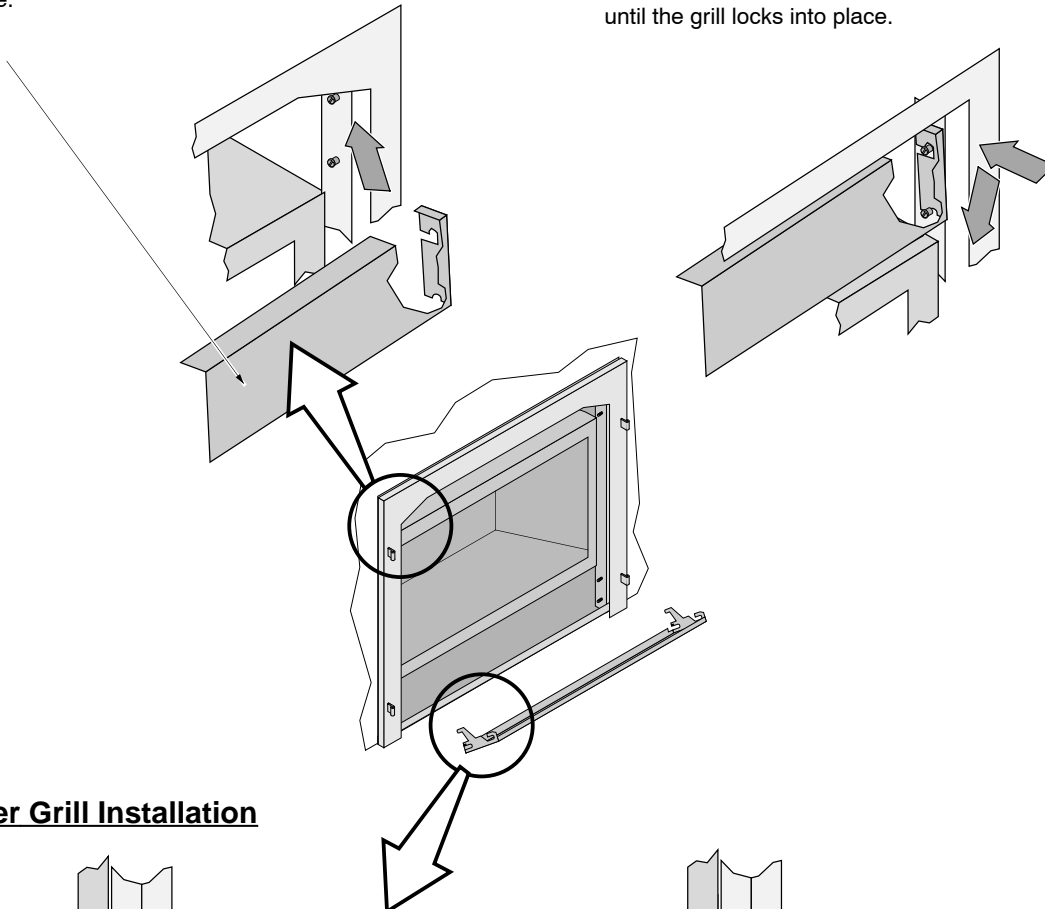
95800742 (Rectangular)

- 4 Attach the glass frame to the fireplace.
- 5 Hang the grills included with this face on the fireplace.

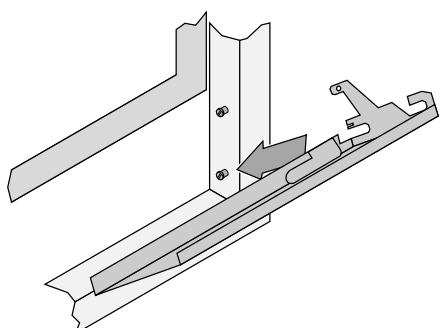
Upper Grill Installation

Hold the grill at a slight angle and insert it behind the face and in front of the bushings on the fireplace.

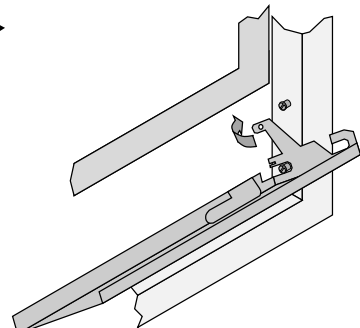
Line up the upper slots on the grill with the upper bushings on the fireplace. Push the grill in, then down until the grill locks into place.



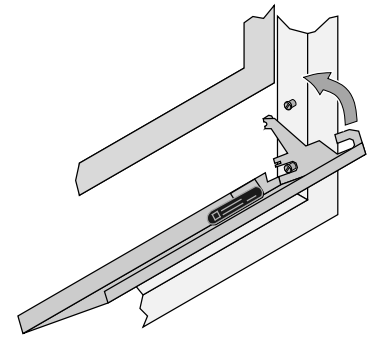
Lower Grill Installation



Hold the grill at an angle and insert the lower slot over the bushing on the fireplace (both sides). You may need press on the grill to get the tab over the bushing (this prevents the grill from accidentally falling off).



Bend the tab outward on both sides. This is the end-stop for the lower grill, it allows the grill to swing forward.



Swing the grill upwards to engage the upper slot. You will need to lift the grill slightly to get it over the bushing. Once in place the grill is held in place by gravity.



864 Double-Door Face

95800740 (Arched)

95800742 (Rectangular)



864 HO – Center Door Screens MUST BE REMOVED (see following page)

Remove the center screen from the doors (see the illustration on the following page). Operating the appliance with the screens in place will lead to a safety hazard and void the warranty.

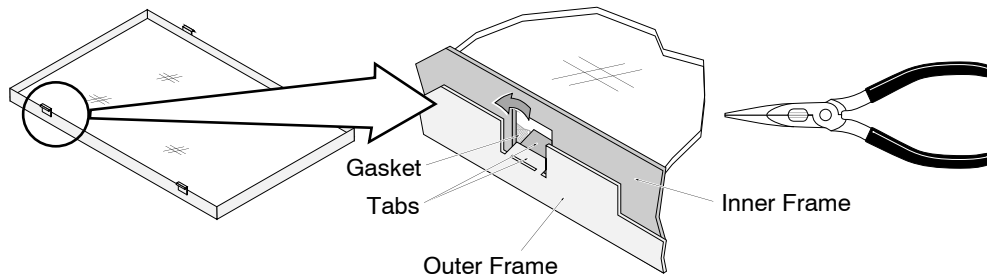


864 TRV, 864 ST Screen Warning

Remove the screen from either the glass frame (on the fireplace – see illustration below) or doors (center screen only – see the illustration on the following page). Operating the appliance with both screens in place will lead to a safety hazard and void the warranty.

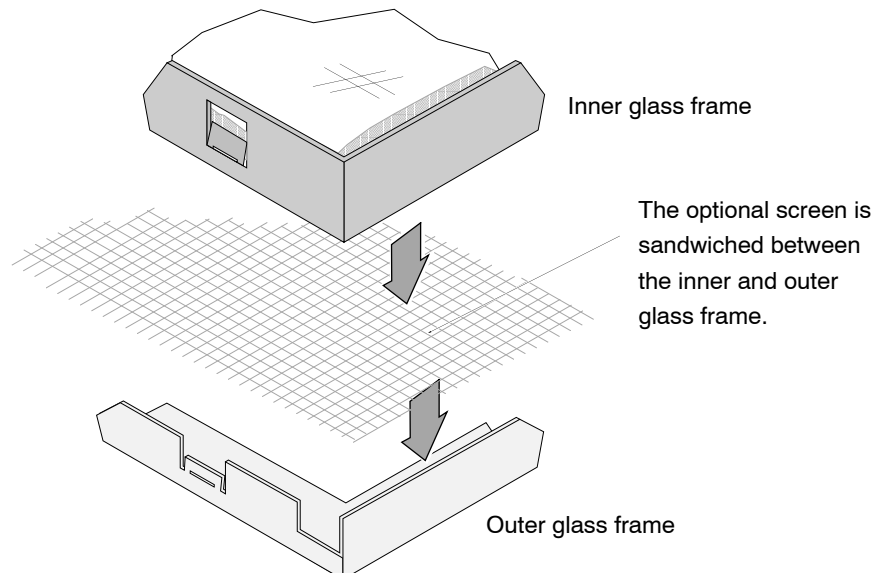
REMOVING THE SCREEN FROM THE FIREPLACE (preferred for 864 TRV and ST)

Six sets of tabs hold the glass (and glass gasket) in place. Four of these tabs are at the corners, two are at the top and bottom of the glass frame.



REMOVAL INSTRUCTIONS: carefully bend the tabs out with needle-nose pliers (there are tabs on the inner and outer frame - the center tabs only have tabs on the inner frame). Do not pry these tabs, this may cause the glass to crack.

REPLACEMENT INSTRUCTIONS: carefully bend the tabs inward, making sure the tabs contact the gasket, not the glass. Bend the tab inwards 30° - do not over-bend the tabs.



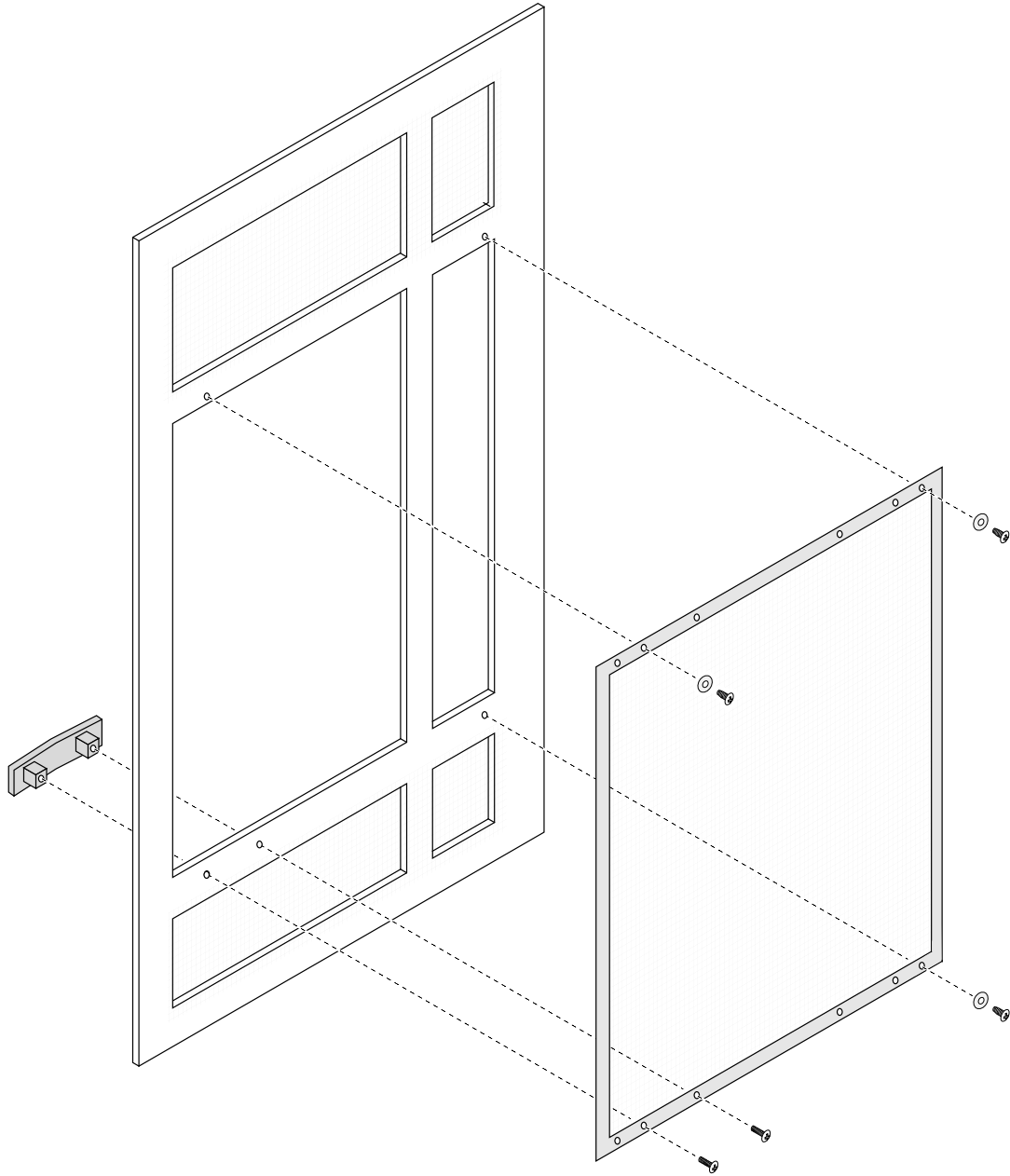


864 Double-Door Face

95800740 (Arched)

95800742 (Rectangular)

REMOVING THE SCREEN FROM THE DOORS (REQUIRED FOR 864 HO)





fireplacextrordinair™

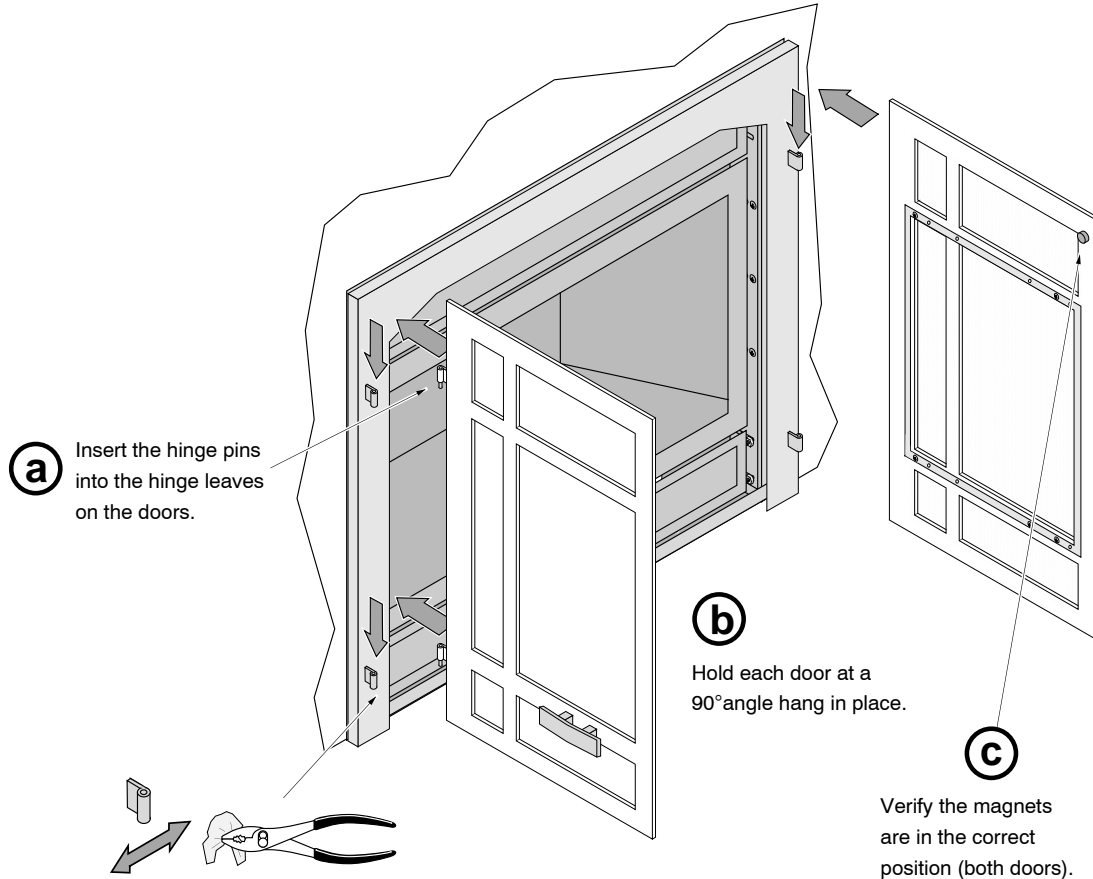
864 Double-Door Face

95800740 (Arched)

95800742 (Rectangular)

6 Install and align the doors following the directions below.

NOTE: Magnets are shipped attached to the doors. These powerful magnets may require pliers to reposition if necessary. Take care with the magnets to prevent damage and keep them away from children.



ADJUSTING THE HINGES:

If the gap between the doors is not even, the hinges on either side may be adjusted by bending the hinge tabs in or out. This allows the doors to be aligned left or right, top to bottom.

NOTE: place a rag over the hinge posts before grasping the hinge posts with pliers to prevent scratching.

ADJUSTING THE DOORS

Most doors will line up precisely when installed. You may, however, notice a slight mis-alignment between the two doors along the bottom edge. This is easily remedied by opening the door 90°, holding the upper and lower inner edges, and gently "twisting" it. Shut the door, check alignment, and repeat if necessary.

