



Packing List

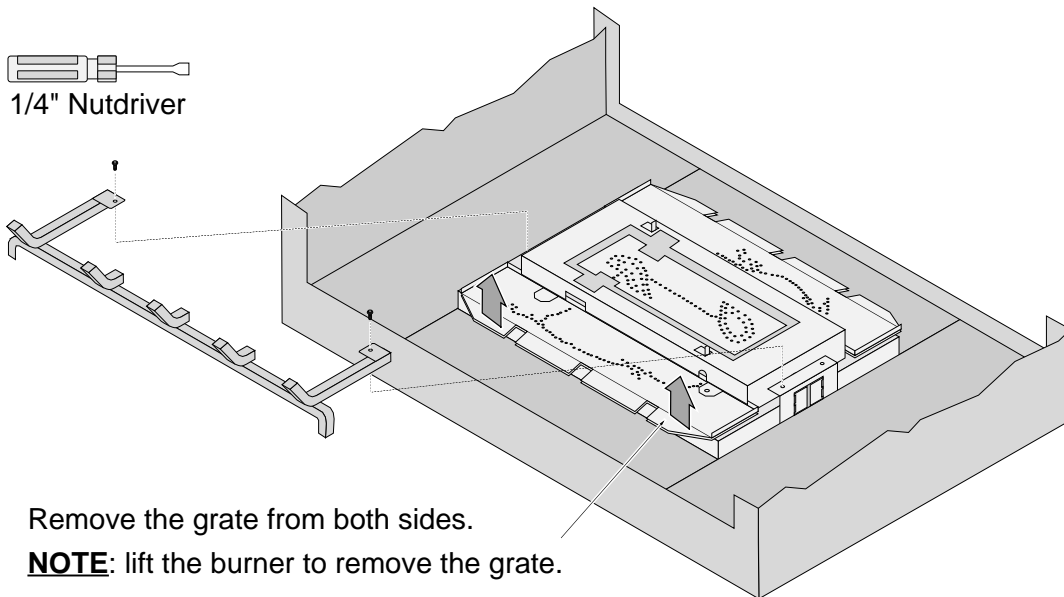
- Floor Firebacks (4 pieces)
- (2) Side Firebacks

Installation

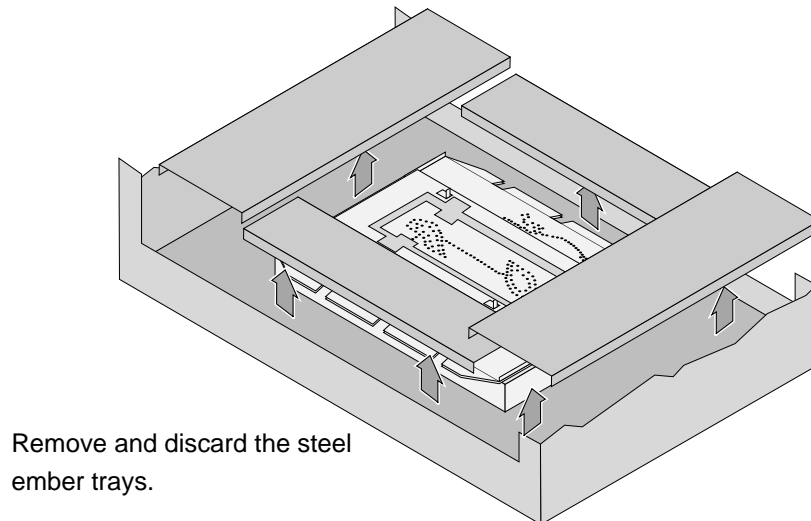
WARNING Turn off gas to the appliance and make sure it has fully cooled prior to conducting service.

NOTE: The firebacks are shipped in vinyl to prevent marring the surface of the stainless steel. Remove the vinyl prior to installation. **Wear clean gloves when installing the firebacks** to prevent fingerprints on the surface (or use a rag or paper towel to handle the firebacks).

- 1 Remove the glass frame and logs (see the installation manual for details).
- 2 Remove the front and rear grates (see the illustration below).



- 3 Remove and discard the steel ember trays.

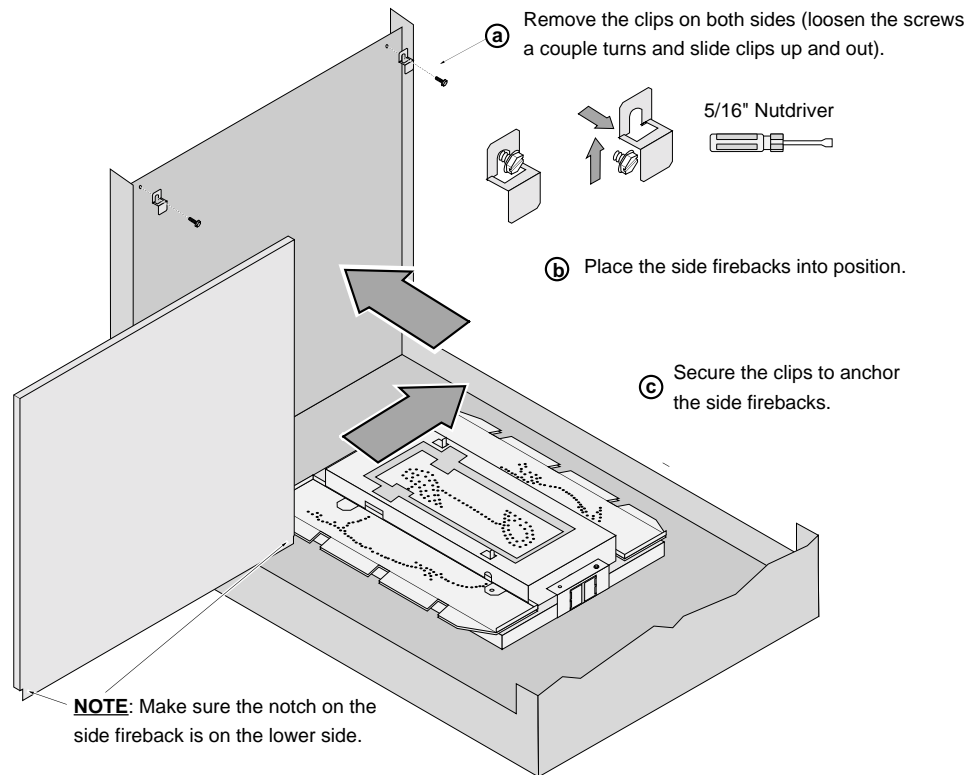




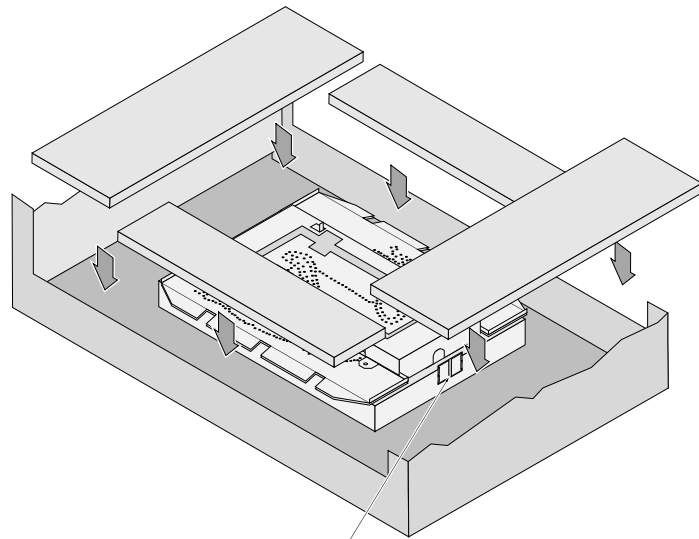
864 ST Stainless Fireback Installation

SKU # 96100188

- 4 Install the side firebacks following the directions to the right.



- 5 Carefully place the floor firebacks into position. You must tip them under and around the corners of the burner.
- 6 Carefully replace the front and rear grates (they rest on top of the floor firebacks).



WARNING:

When replacing the grate do not drag the grate across the firebacks. You may need to lift the burner slightly while installing the grate.

- 7 Restore the fireplace to the correct configuration.

NOTE: These tabs are bent out when using the accent light. Make sure to carefully bend them flush if the accent light was previously installed (then reposition them after firebacks are installed).



COLORATION AND CLEANING: These stainless steel firebacks will obtain a slight "patina" (brown tint) after use. Do not clean the firebacks. This patina becomes consistent. Any cleaning may lead to unequal coloring. If soot forms on the fireback, we recommend brushing it off with a soft cloth or brush.