



Compatibility:

- DVL Insert with FPX Double-Doors
- DVS Insert with FPX Double-Doors

Packing List:

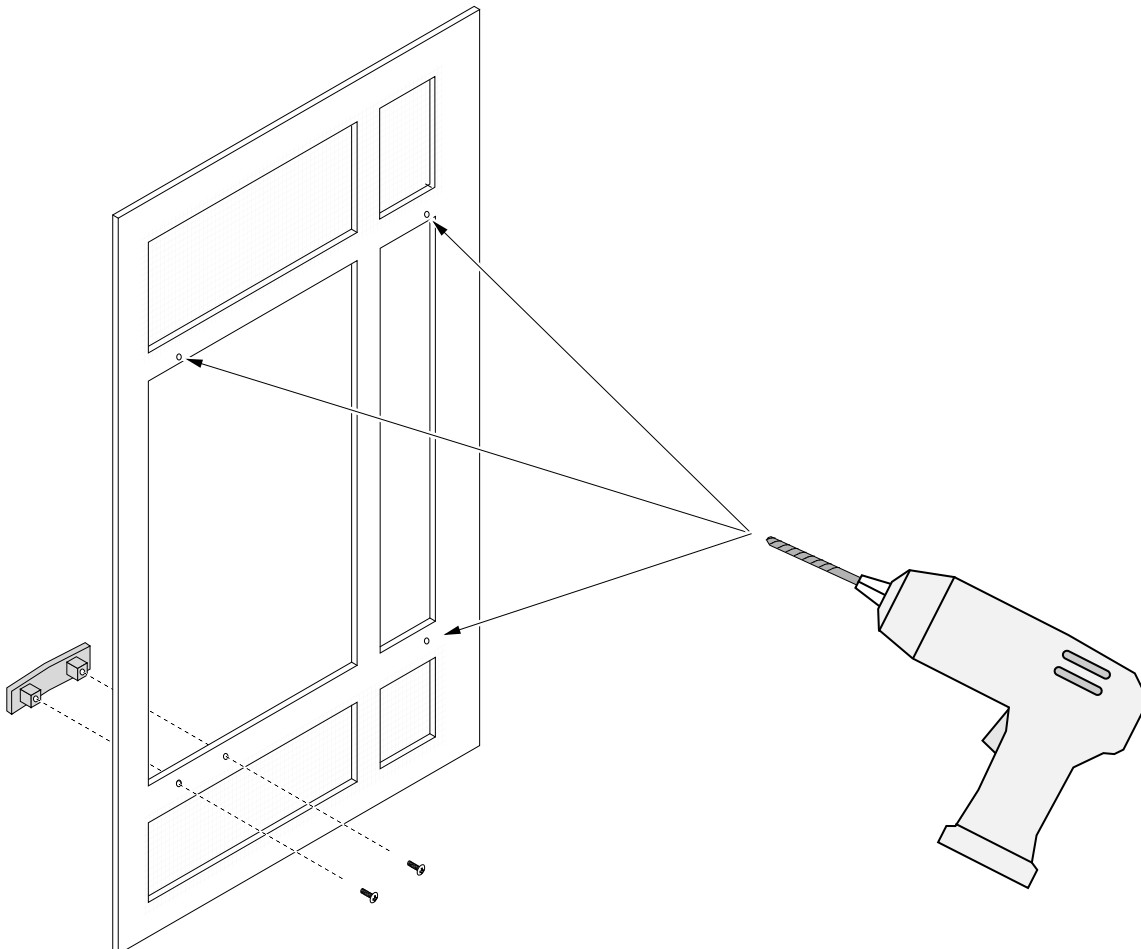
- (2) Door Onlays (Left and Right Side)
- (6) 8-32 Acorn Nuts
- 13/64" Drill Bit

Part Numbers

DVL Arch Bronze	96300720	DVS Arch Bronze	96300700
DVL Arch Nickel	96300721	DVS Arch Nickel	96300701
DVL Arch Copper	96300722	DVS Arch Copper	96300702
DVL Rect. Bronze	96300730	DVS Rect. Bronze	96300710
DVL Rect. Nickel	96300731	DVS Rect. Nickel	96300711
DVL Rect. Copper	96300732	DVS Rect. Copper	96300712

Installation

- 1 Remove the handles from the doors (if installed). With the doors placed face down on a suitable work surface. Locate the three dimples on the back of the door (see the illustration below). Use the included 13/64" drill bit to drill through the doors in these locations (both doors). Remove any burrs from the holes.



- 2 Install the onlays and handles as shown below. Place the washers included with this kit between the door and acorn nuts (these washers space the studs from the acorn nuts, preventing damage to the top of the acorn nuts).



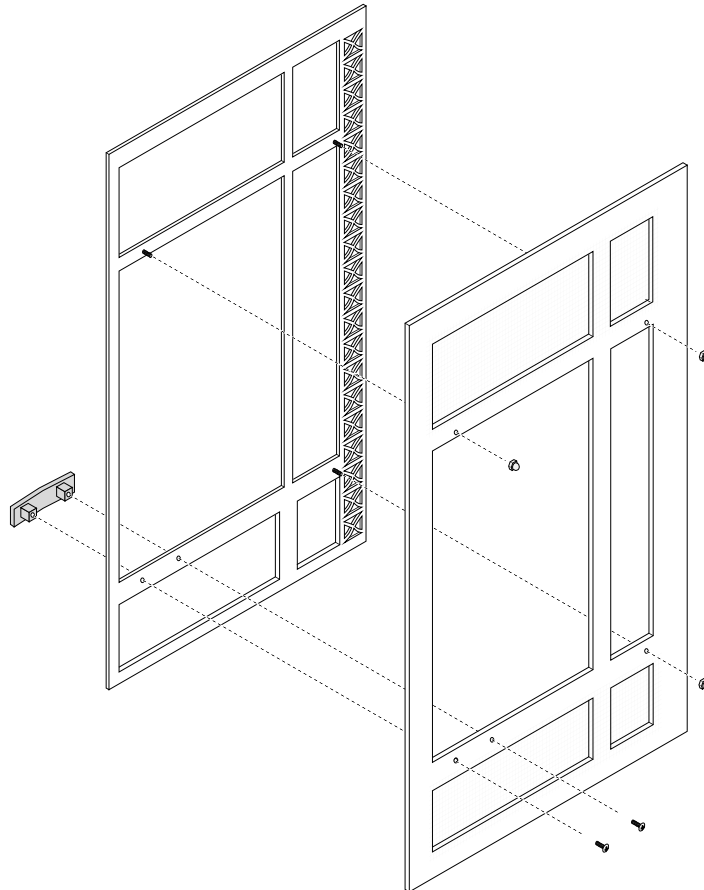
Handling the Plated Onlays

Use non-scratching gloves to handle the onlays. Because of the intricate pattern cut into this accessory, fingerprints (or other marks) left on the onlays become difficult to clean off once in place. Before installing, remove the protective wrap.



Helpful Hint

During shipment the onlays may develop a slight bow. If the onlays don't seat flat against the doors, simply remove the onlay and gently straighten by hand. Be careful to not over-adjust.



Plated Surfaces (Bronze & Nickel)

Use denatured alcohol and a soft cloth to clean plated surfaces. Marks left on the surface may damage the face.

Copper-Plated Surfaces

See the instructions included with these onlays for cleaning with citric acid.

