



TRAVIS INDUSTRIES  
HOUSE OF FIRE

# DVS Double-Door Backing Plate

Small 95100060 Large 95100061 (Requires Double-Doors to Complete)

# DVS Universal No Panel Face

Small 95100050 Large 95100051

## Compatibility:

- DVS GSR
- 31 DVI

## Packing List:

- Face (Backing Plate)
- Left and Right Face Brackets
- Left and Right Mounting Brackets
- (6) 8-32 Keps Nuts
- (6) 10-24 x 1/2" Type F Screws

## Sizing

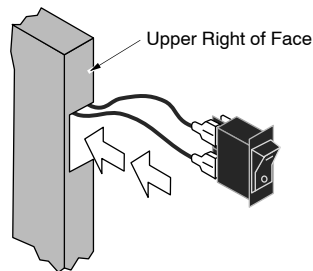
	<u>Width</u>	<u>Height</u>
<u>Small</u>	37-1/2"	23-1/8"
<u>Large</u>	40-3/8"	29"

## Installation of the Rheostat and On/Off Switch (31 DVI Only)

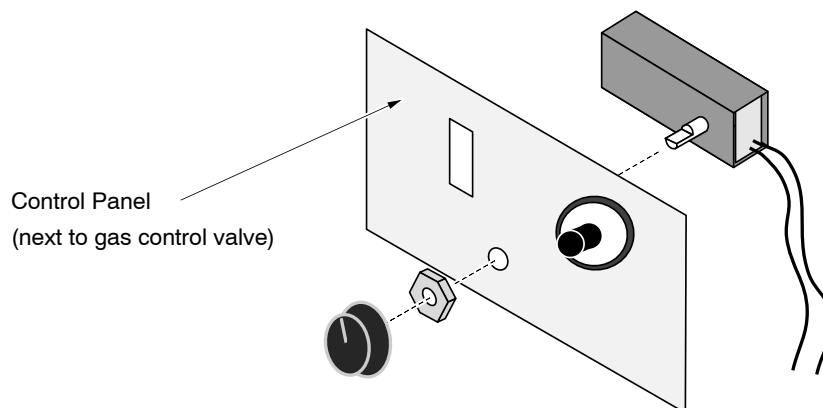
When using this face you may install the on/off switch on the face (see instructions below) or on the control panel (see manual). The rheostat must be installed on the control panel. See the directions below for details.

**WARNING:** Make sure to unplug the heater before installing the rheostat.

Make sure the wires leading to the on/off switch are firmly attached (they attach to the top and bottom posts on either side of the switch -it does not matter which wire is on top). Route the on/off switch to the slot on the upper right of the face (you will need to remove the lock-tie on the wiring harness). Remove the knock-out and slide the switch into the rectangular slot until it locks into place.



Remove the knob and nut from the rheostat. Insert the shaft on the rheostat through the circular hole on the control panel and secure with the nut. Replace the knob.





TRAVIS INDUSTRIES  
HOUSE OF FIRE

# DVS Double-Door Backing Plate

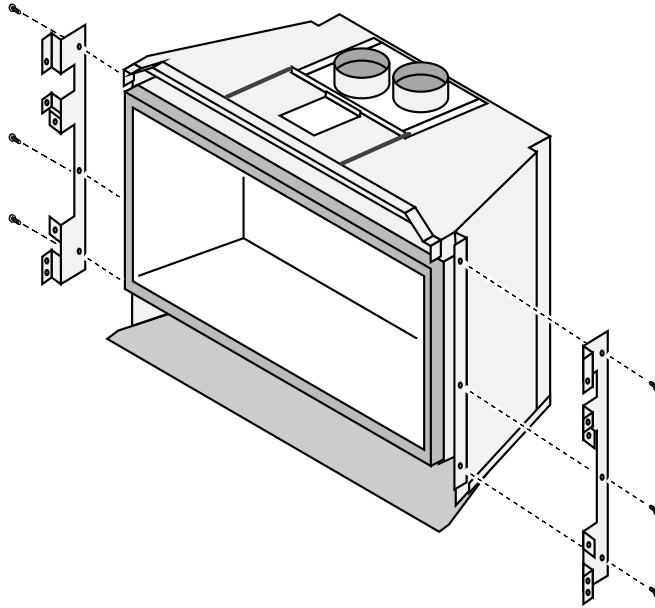
Small 95100060 Large 95100061 (Requires Double-Doors to Complete)

# DVS Universal No Panel Face

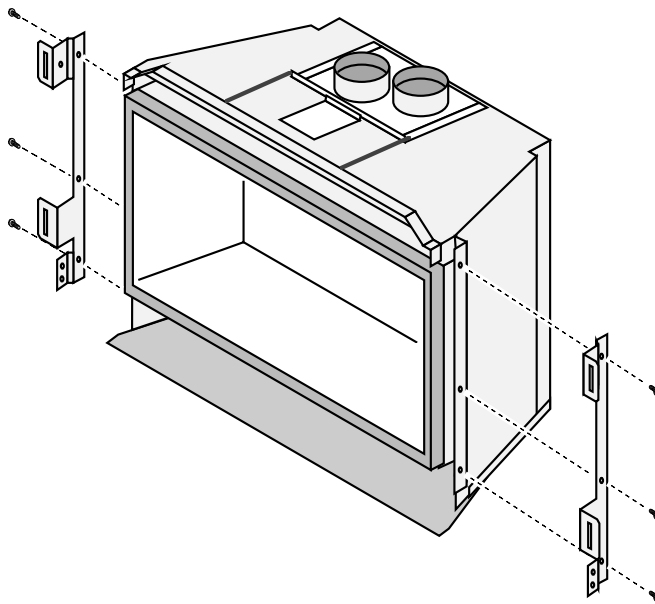
Small 95100050 Large 95100051

## Mounting Bracket Installation

Remove and discard the mounting brackets on the insert.



Attach the mounting brackets included with the backing plate.





TRAVIS INDUSTRIES  
HOUSE OF FIRE

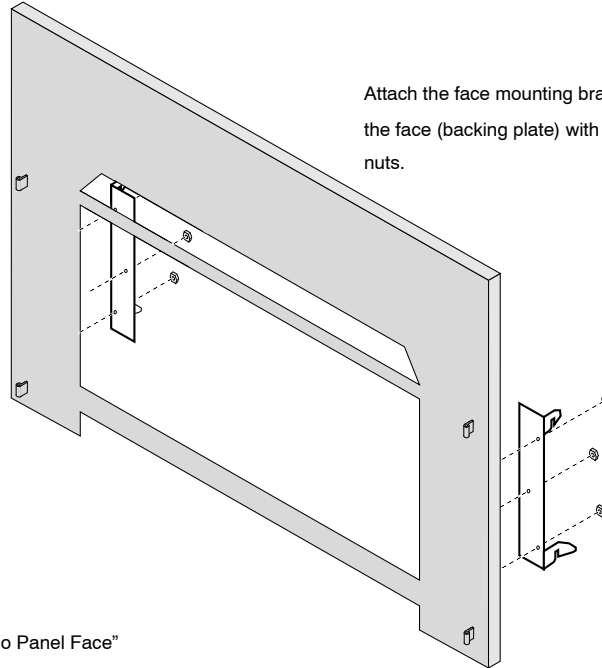
# DVS Double-Door Backing Plate

Small 95100060 Large 95100061 (Requires Double-Doors to Complete)

# DVS Universal No Panel Face

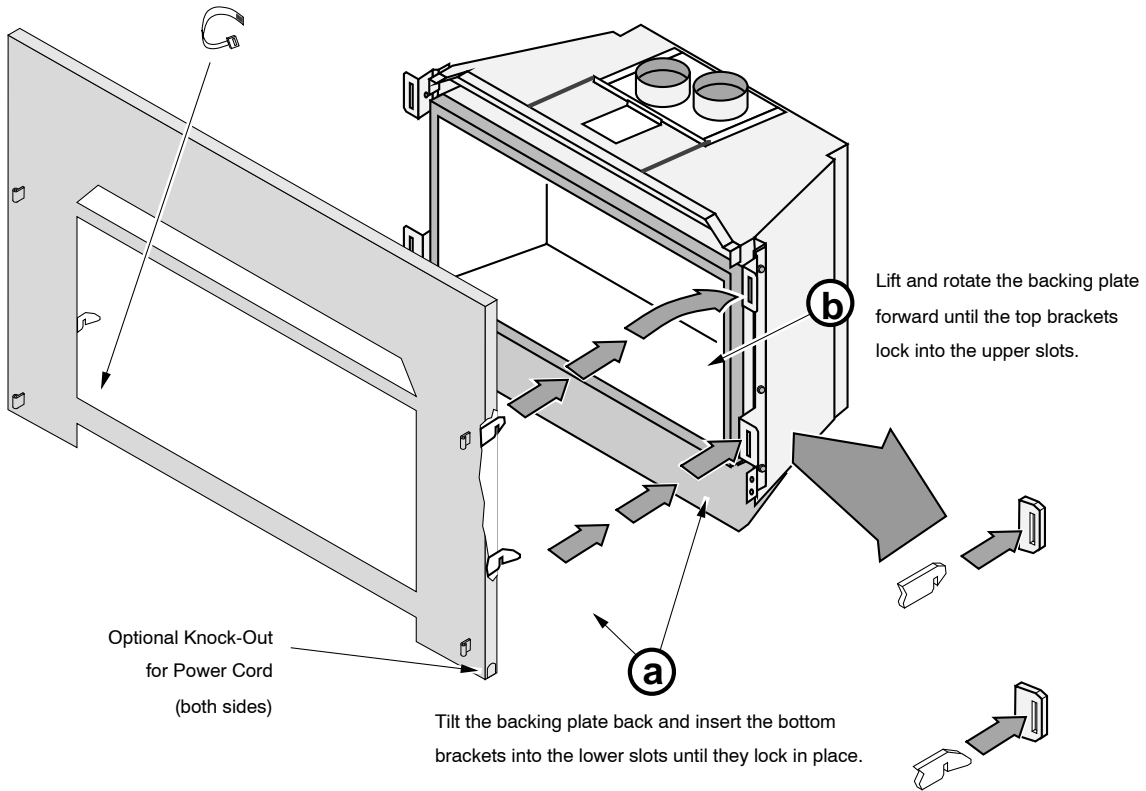
Small 95100050 Large 95100051

## Face Installation



Attach the face mounting brackets to the back of the face (backing plate) with the six included nuts.

**NOTE:** On the "No Panel Face" remove any lock ties used to secure the access door.



Optional Knock-Out  
for Power Cord  
(both sides)

Tilt the backing plate back and insert the bottom brackets into the lower slots until they lock in place.

Lift and rotate the backing plate forward until the top brackets lock into the upper slots.



TRAVIS INDUSTRIES  
HOUSE OF FIRE

# DVS Double-Door Backing Plate

Small 95100060 Large 95100061 (Requires Double-Doors to Complete)

# DVS Universal No Panel Face

Small 95100050 Large 95100051

## Using Surround Panels With the Face

Surround panels may be used with the face if additional fireplace opening coverage is required. Attach the surround panels prior to attaching the face (see the illustration below).

### COMPATIBLE SURROUND PANELS AND SIZING

- Use the 10"x13" 3-Piece Panels (sku 96100302) - 44-3/8" Wide, 31-7/8" Tall
- 1-Piece Panels are not compatible (contact Travis Industries for details)

### POSITION OF INSERT ON HEARTH

When using surround panels with the face, the position of the fireplace insert is moved forward by 1-1/8". This makes the insert protrude farther onto the hearth and moves the flue towards the front by 1-1/8"

**NOTE:** Remove the glass frame before installing the surround panels.

