



Compatibility:

- 564 Electric Fireplace with one of the following faces:
 - FPX Double-Door
 - FPX Rectangular Bevel Face
 - Lopi Wilmington Face

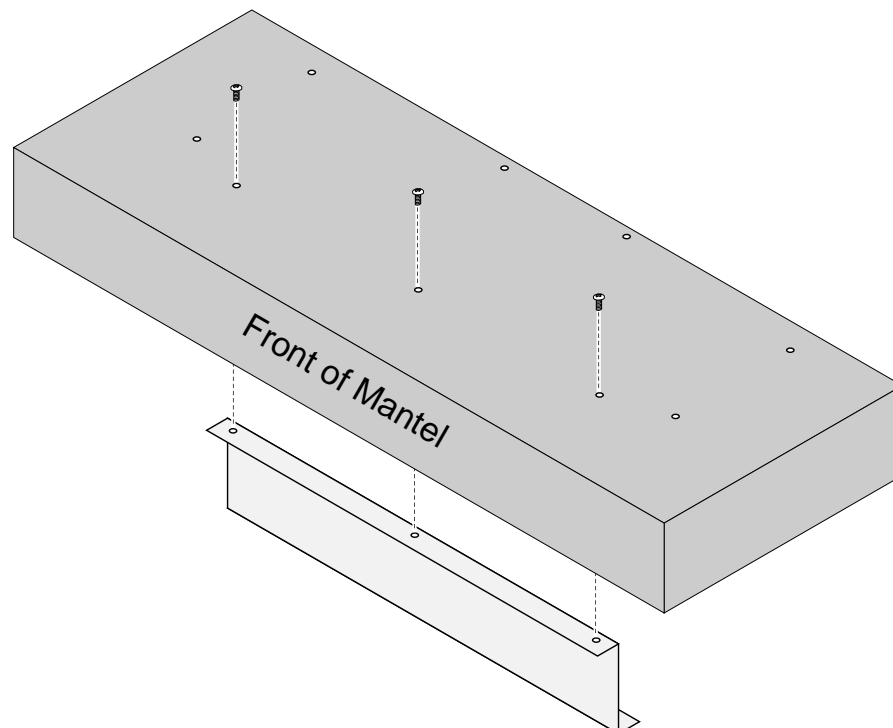
Packing List:

- Mantel Base
- Mantel Support
- (2) Mantel Sides
- Mantel Inner Top
- Mantel Outer Top
- (4) Corner Braces
- Anchor Bracket
- (3) 10-24 x 1/2" Black Screws
- (2) Stud Plates
- (26) #8 Sheet Metal Screws
- (4) 1/4-20 Nuts
- (4) Washers

Installation

NOTE: We recommend wearing soft gloves while handling the brushed stainless steel parts to prevent fingerprints or other marks. Remove the vinyl coating before constructing the mantel.

- 1 Attach the mantel support to the mantel base with the three 10-24 screws.

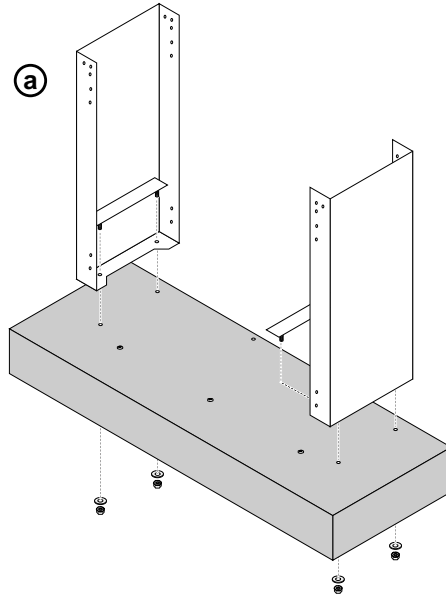




564 E Metro Mantel

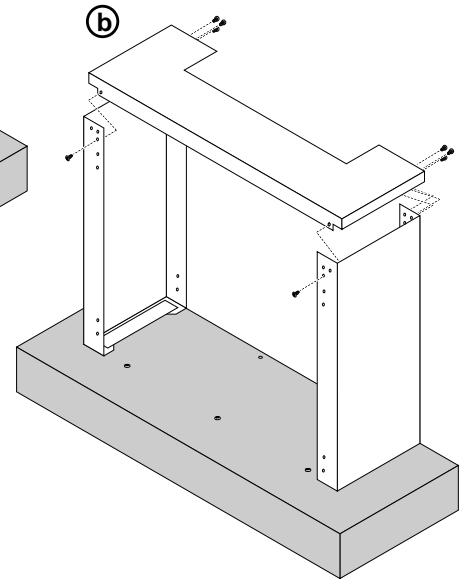
96900925

2. Attach the mantel sides to the mantel base with the included stud plates, nuts, and washers (see "a" to the right).

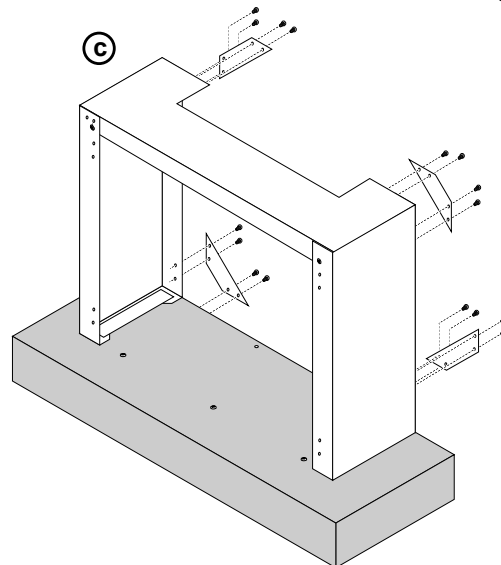


3. Attach the mantel inner top to the mantel sides with the included screws (see "b" to the right).

NOTE: The inner top is positioned so the side with only one hole faces forward.

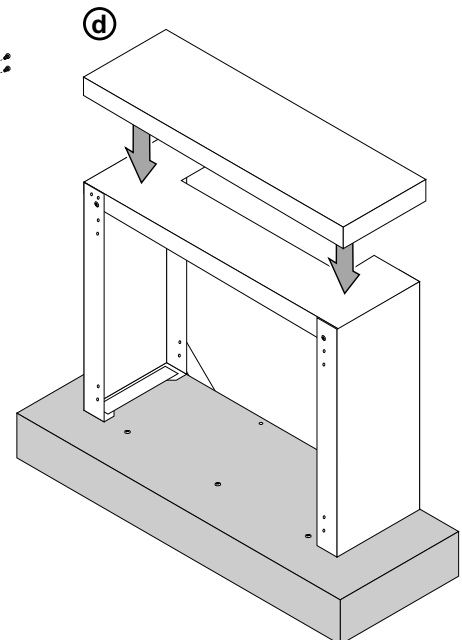


4. Attach the four corner braces to the back of the mantel with the included screws (see "c" to the right).



5. Slide the mantel outer top on top of the inner top.

NOTE: The outer top may be removed to access the air filter on the fireplace.



6. Slide the fireplace into position, taking care to not scratch the base of the mantel.



564 E Metro Mantel

96900925

NOTE:

If using an FPX double-door, attach the anchor bracket to the mantel base (see "a" below), slide the fireplace into position ("b"), and attach to the mantel ("c"). This prevents the fireplace from tipping forward when the doors are opened.

