



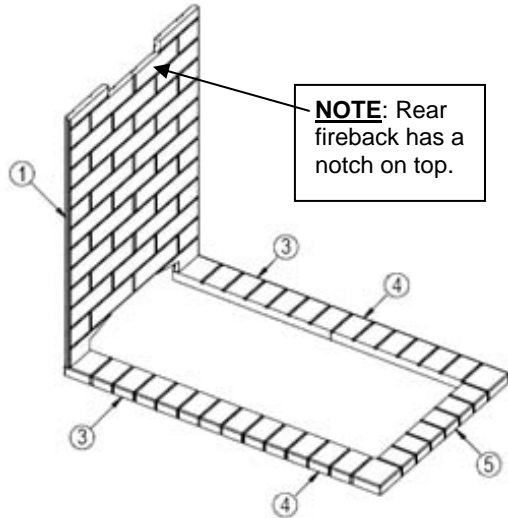
36 CF ST / Pier Fireback Installation Instructions

Brick/Herringbone (96100177)

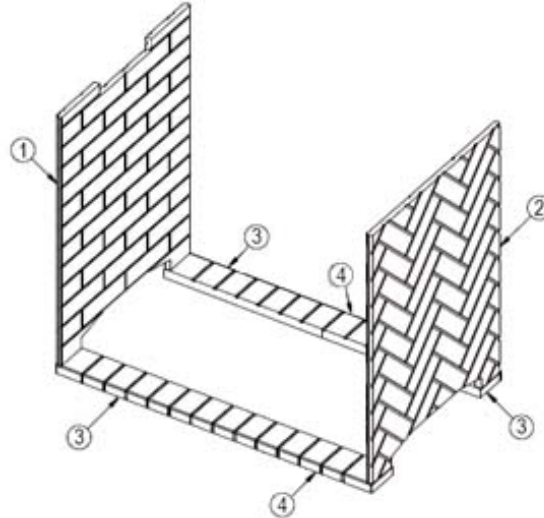
Diamond Mosaic / Stucco (96100178)

Fireback Identification and Packing List

36 CF Pier



36 CF ST (See Through)



- (1) Rear Fireback
- (2) Front Fireback (Used On ST Only)
- (3) Inward Floor Fireback (Quantity 2)
- (4) Outward Floor Fireback (Quantity 2)
- (5) Front Floor Fireback (Used On Pier Only)

Installation

WARNING: The 36 CF ST / Pier require firebacks for safe operation. Do not operate the fireplace unless firebacks are in place.

NOTE: The front and rear fireback are double-sided. Install the fireback with the desired brick pattern (standard brick or herringbone) facing outwards.

The firebacks must be installed after the fireplace is in place and hooked up and before installing the logs.

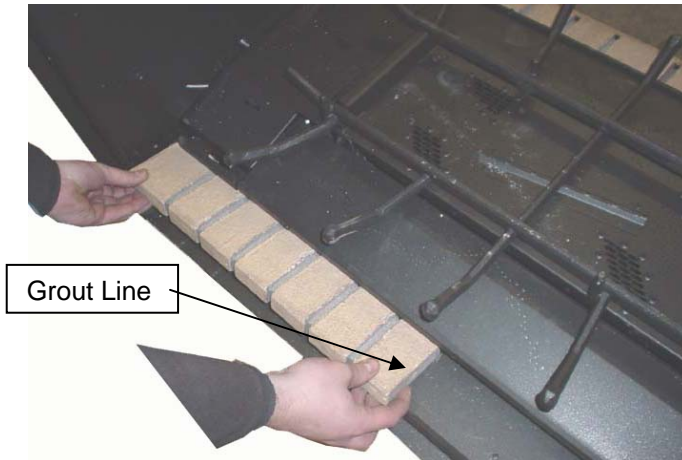
36 CF Pier Only

Place the front floor fireback along the front edge of the firebox. It will need to be rotated into place (see the picture to the right). Center it along the front piece of glass.



Floor Firebacks

Each side of the fireplace uses one inward and one outward floor fireback. Make sure the inward fireback has a grout line on the ends (see picture below to the left). Rotate the inward fireback into place and slide it all the way to the left (the back edge tucks under the burner). Install the outward fireback so that butts up to the inward fireback (see picture below to the right). The remaining floor firebacks install on the opposite side in the same fashion.



Rear Fireback Installation

The rear fireback is held in place with two clips on the firebox ceiling (see picture below to the left). Loosen the screw and remove the clip (the clip has a key-hole allowing removal without removing the screw). Tilt the rear fireback into place and secure using the clips (see picture below to the right).



NOTE: Rear fireback has a notch on top.



Front Fireback Installation (ST Only)

The front fireback is installed in the same fashion as the rear fireback.