

The DVL NB GSR2 has several new features and characteristics that require special attention during installation and set-up.

GreenSmart™ 2

This heater has been updated with the 2013 version of GreenSmart™ 2 components from SIT. These components function in a near identical fashion to the previous 2012 components. The primary differences are:

- The accent light now has dimming capability built into the remote.
- The pilot may be switched from intermittent (IPI) to standing pilot from the remote.

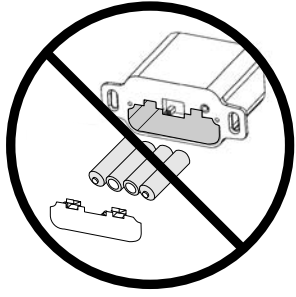
Refer to the owner's manual for full details.

Remote Control / Pilot Warnings



Installing batteries in the battery holder or connecting the appliance to power may automatically initiate the CPI pilot mode, resulting in a lit pilot flame. Do not place combustibles in the firebox.

KEEP BATTERIES AND COVER INSTALLED AT ALL TIMES



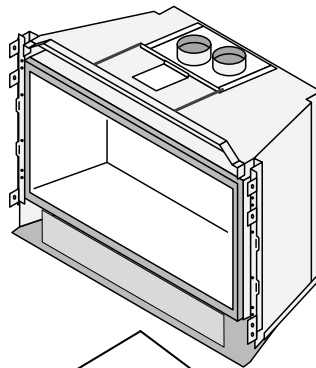
The remote control system requires the batteries and battery cover to remain in place at all times. Once the batteries or cover are removed, the system may re-start in standing pilot mode. If this occurs when the heater is in Remote Mode, you will not be able to turn the heater off manually from the battery box.

If you need to replace dead batteries, make sure to **turn the appliance off** before removing the batteries.

NOTE: If the batteries go dead, the system will operate normally as long as household power ("AC") is present.

Burner Kit and Media (logs/stones) Required

This fireplace is shipped without a burner and requires a burner kit and media. This allows the fireplace to be configured in unique designs. See the table below to verify you have all of the items required.



<u>Burner Style</u>	<u>EmberFyre™ Burner</u>	<u>DancingFyre™ Burner</u>
	96900109	96900108
<u>Media</u>	Logs Included w Burner	Driftwood Log Set (sku 94500562) Fyre-Stone Stone Set (sku 94700734) Log Set (sku 94500561)

If using LP (Propane)

A conversion kit is required if using propane with this heater (sku 94400999 – GSR Stepper Motor Kit).