

FIREPLACE
XTRORDINAIR

WOOD BURNING ELITE FIREPLACES



Dollar for dollar, you will not find a better, more cost effective way to efficiently heat your home than with our Elite Wood Burning Fireplaces!



The Artisan™ fireplace face design and craftsmanship featured on the 44 Elite, is reminiscent of the iron work in the great lodges of Europe and America.

THE ULTIMATE WOOD BURNING FIREPLACE

The Original Arched Fireplace™

FireplaceX™ (sometimes called the FPX) the “Original Arched Fireplace”, introduced the trademark product shape of the parallel arches, the arched viewing area and the parallel arched face over two decades ago. The unique designs concealing the air intake and heat exchanger, and the arches have identified FireplaceX to thousands of discerning homeowners all over North America.

Nothing Matches A Real Log Fire

When you enter a home, what’s the one thing that makes you feel instantly welcomed and relaxed? The cheery crackle and dancing warm flames of a real log fire on the hearth.

The fireplace has always been the heart of the home. The mood it inspires sets the stage for all our fondest memories of romance, family sharing and festive gatherings around the fireplace. This wonderful ambience is threatened by society’s need for efficient use of fuel and a cleaner, healthier environment.

The fireplace of old, and most manufactured fireplaces, cannot meet these demands. Any heat generated by a traditional fireplace goes up the chimney and not into the home.

The solution is the FireplaceX Elite series of wood burning fireplaces. This state-of-the-art fireplace design, available in two different sized models, provides the warmth, romance and beauty of a traditional hearth without heat loss and air pollution. Our Elite fireplaces are installed as framed in, zero clearance fireplaces, and have an enviable overall efficiency rating up to 73%.

Positive Pressure Heating System

One of the unique design features of FireplaceX’s Elite fireplaces is that you can use fresh air which is drawn from outside the home for both combustion and heat transfer through a unique concept called ‘Posi-Pressure’. Posi-Pressure technology draws outside air into the cavity around the fireplace, heats it, and circulates it throughout the home via a quiet, remote blower. The heated air naturally ‘seeks out’ and penetrates cold spaces, warming the entire home evenly while ‘sealing’ cracks, leaks and other drafty spots by preventing cold air infiltration.

The Furnace That Looks Like A Fireplace

The Elite series by FireplaceX is designed to maintain the aesthetic appeal of the fireplace while delivering up to 76,700 BTUs/hour, through a decorative grill built into the face design, framing the fire and enhancing your home decor. Other heat-circulating fireplaces require large unsightly louvers or highly visible vent boxes above the fireplace opening, sacrificing the traditional hearth look.

The Elite series features sleek lines and large glass doors for an expansive view of the fire. You have the option of a black painted, or hand-hammered Artisan™ face and door for a dramatic flair. Only FireplaceX creates such a uniquely beautiful, versatile look in a high BTU output fireplace.

No Fireplace Burns As Clean As Fireplace Xtrordinair®

A source of heat for your home shouldn’t be a source of pollution for our environment. FireplaceX utilizes the latest catalytic technology to reduce emissions by 90% compared to conventional fireplaces. A catalytic combustor reduces the temperature at which smoke ignites, causing it to burn before it leaves the firebox. Unlike most fireplaces, the FireplaceX Elite series surpasses the EPA’s strict emissions standards for wood stoves - in fact, emissions are as low as 2.3 grams of particulates per hour for the Model 36 Elite and 2.5 grams for the Model 44 Elite!

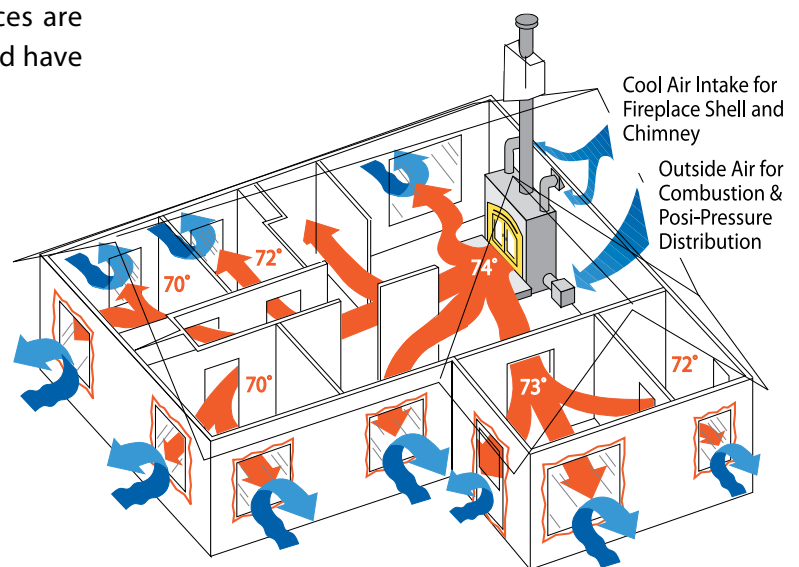


Illustration depicts typical heat distribution of heated air in a home. Heating capacity and room temperature may vary due to location of fireplace, degree of insulation, type of fuel and fuel moisture content.



The Artisan face on this 36 Elite is hand-forged and hammered by master blacksmiths. Each fireplace face will bear unique subtle characteristics from the hands of its creator, making it a true work of art in iron.

UNMATCHED BEAUTY

The FireplaceX Elite series is designed to meet your architectural needs by blending with the interior of your home rather than looking like an add-on.

The door and face style is a classic, equally at home in the country or when gracing a contemporary living room. This fireplace is flush to the wall, which saves valuable floor space in a room.

The traditional classic arch design accommodates standard brick dimensions without cutting and works equally well with stone, marble or tile for that custom touch.

The controls for fan, air adjustment and damper are subtly incorporated in the face of the unit itself for easy access.

Another beautiful benefit of the Elite series is the size of the wood they can burn.

36 Elite 24" Wood
44 Elite 32" Wood

The large capacity firebox features large doors that provide a huge unobstructed view of the beautiful, soothing flames.

Perhaps the most beautiful feature of the FireplaceX Elite series is its value. Despite the fact that the Elite line-up is constructed of superior components and features, and the performance ratings are superior to every other certified fireplace, the cost of the installed system is surprisingly competitive.

The reason is simple, the air cooled chimney system approved for FireplaceX may cost 50% less than chimney systems required on other high heat output fireplaces. This dramatic breakthrough is due to the effectiveness of the unique heat exchange Posi-Pressure system. This system delivers most of the heat generated into the home rather than up the chimney.

FACE & DOOR OPTIONS



Classic Arched black single door and face option for the 36 Elite



Classic Arched black double door and face option for the 36 and 44 Elite



ARTISAN™ Single Door Hand Hammered & Wrought Iron Face for the 36 Elite



ARTISAN™ Double Door Hand Hammered & Wrought Iron Face for the 44 Elite

CAST MANTEL OPTIONS

Hewn Timber Mantels

Available in 5' and 6' lengths



Non-combustible, fiber reinforced cast concrete reproductions of a 150 year old Fir Timber and individually hand-painted to feature incredible realistic wood-like detailing.

Polished Gray Concrete Mantels

Available in 5' and 6' lengths



Sleek gray concrete non-combustible mantels, individually crafted featuring a diamond polished quartz surface. Can be used as either a mantel or hearth.

LOOKS LIKE A FIREPLACE, HEATS LIKE A FURNACE

There has never been a fireplace made that compares to FireplaceX in all the performance categories, efficiency, emissions and BTU output. One of the most critical of all performance characteristics of any heating appliance is the **“overall efficiency”**. This important data tells you how much of the energy generated by combustion is turned into useful heat. The FireplaceX Model 36 Elite is rated by the EPA as having 73% efficiency. This is the highest rating ever achieved by a wood burning fireplace, in fact much higher than most EPA certified wood stoves.

How The Fireplace Xtordinary Works

A single air control (1) regulates the burn rate of the fireplace. As the fresh air is directed to the primary combustion zone of the fire, it is drawn evenly across the glass by a sophisticated air wash. (2) This air wash is designed to help keep the glass clean during higher operating settings.

An additional boost to the primary fire is achieved by air inlets (3) near the base of the huge firebox. This combined air entry allows for aggressive and easy to light fires.

There are two EPA approved methods for reducing emissions in certified wood burning appliances, one being non-catalytic High-Tech design, the other using catalytic combustors. Because of the very large firebox size the 36 and 44 Elite fireplaces feature catalytic technology. The catalytic combustor (4) is a ceramic honeycombed block that is coated with a mixture of palladium and platinum.

The combustor is designed to ignite unburned volatile gases that would otherwise pass up the chimney as smoke. The catalyst actually lowers the temperature at which gases burn, thus allowing the appliance to burn efficiently over the complete operating range.

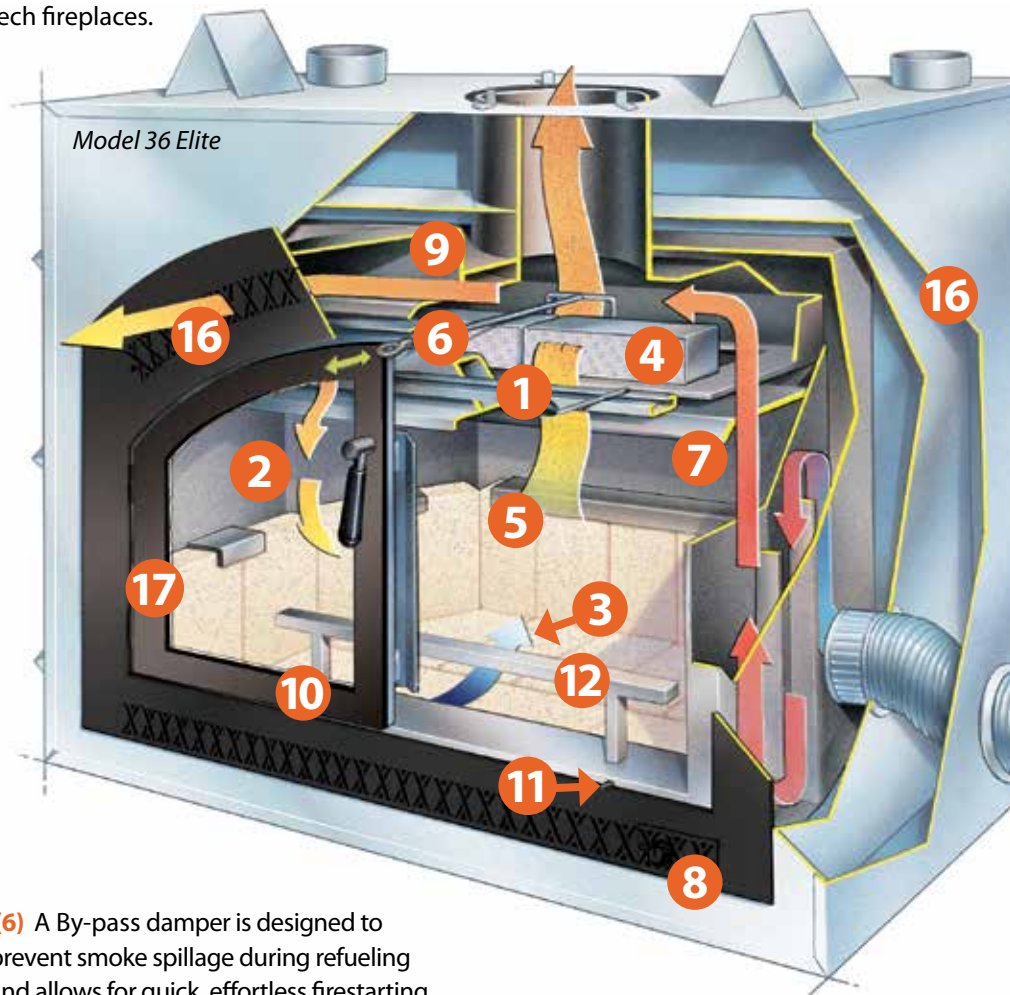
(5) The huge size of the brick lined firebox (4.3 cubic feet on model 44 Elite & 3.7 on the model 36 Elite), combines large wood load with the catalytic combustor burn technology for longer, more efficient burn times than found in other High-Tech fireplaces.

(9) Heavy gauge, welded steel firebox construction

(10) Large double doors frame the largest ceramic viewing glass available in any heat producing fireplace.

36 Elite Glass Area:
26" Wide x 14-1/4" Tall (top of arch)

44 Elite Face Glass Area:
32-1/2" Wide x 18-1/4" Tall (top of arch)



(6) A By-pass damper is designed to prevent smoke spillage during refueling and allows for quick, effortless firestarting by allowing a direct unobstructed path for the flue gases during start-up.

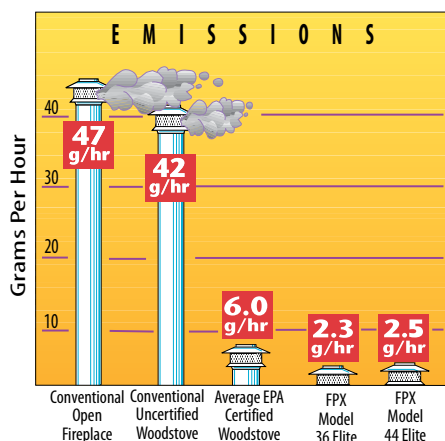
The heavy baffle plates (7) increase the time the unburned gases stay in the firebox, allowing them, when mixed with fresh oxygen prior to entering the catalytic combustor, to increase efficiency and lower emissions.

(8) The variable speed blower control allows you to adjust the amount of heated air circulation into your home.

(11) The blower micro-switch instantly turns off the blower system when you open the doors to prevent smoke-back into the room.

(12) The log retainer allows you the ability to load a large amount of wood without it rolling back out.

NOTE: If you purchase the single black door you will also receive the cast decorative andiron.



Highest BTU Output of Any EPA Certified Fireplace

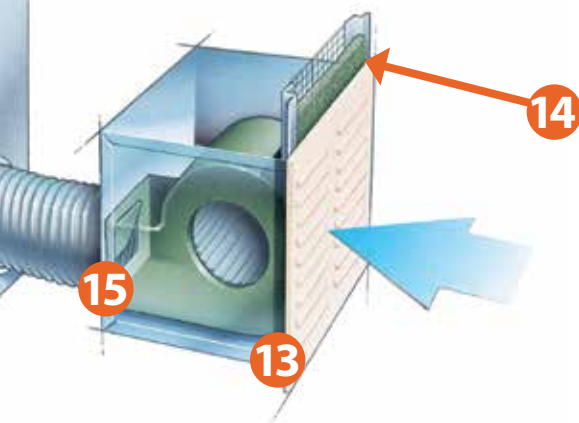
The FireplaceX Elite series of wood burning fireplaces is one of the cleanest burning and the highest BTU output appliances ever certified by the EPA.

The Posi-Pressure System

Fresh outside air is drawn through a remote, quiet 388 cfm blower (13) to pressurize the house, and provide outside air for combustion. A washable air filter (14) keeps incoming air clean. The barometric damper (15) prevents cold air transfer into the heat chamber when your fireplace is not in use. Outside air is circulated around the entire firebox (16) for maximum heat transfer before being directed through the decorative face outlets to pressurize your home with fresh heated air. The finish face (17) is removable and comes from the factory in a black paint finish.

All Models of the FireplaceX Elite Series Also Feature...

- Built-in thermodisc for automatic control of the blower.
- 8 foot electrical leads for the blower (8' extension with junction box).
- Mason's set-up face provided on the fireplace during installation to prevent damage to the decorative faceplate.
- 3 blower duct locations for a wide selection of blower installation options.
- Flex duct for blower included.
- Flex duct and cooling vents for fireplace included.



14 This quiet, remote 388 CFM blower enables practical use of the fireplace in the family room or the most formal living room.

Testing

FireplaceX Models 36 Elite & 44 Elite are tested to U.L. 127, U.L. 1482 and U.L. 907 standards by Warnock Hersey Professional Services, LTD. I.C.B.O. #NER-219.

Tested and certified to E.P.A. Phase II by Omni Testing Labs.

Features & Specifications

	Model 36 Elite	Model 44 Elite
EPA Phase II Approved	YES	YES
Overall Efficiency*	73%	72%
Heating Capacity	Up to 2,500 Sq./Ft.	Up to 3,000 Sq./Ft.
Emissions**	2.3 Grams/Hour	2.5 Grams/Hour
Maximum Burn Time [^]	10 Hours	12 Hours
Flue	8" Opening I.D.	8" Opening I.D.
Overall Width†	42"	49"
Overall Depth	27"	27"
Firebox Capacity	3.7 Cubic Feet	4.3 Cubic Feet
Wood Size	24"	32"
BTU Output Cordwood	10,300 to 66,000	10,700 to 76,700

*DEQ Method **EPA Method †Not Including Faceplate

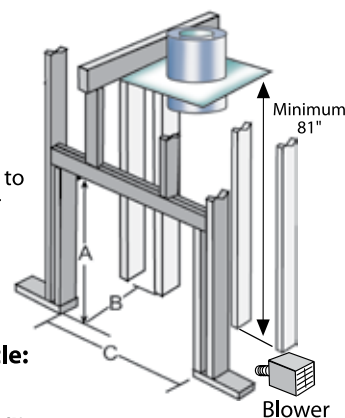
[^] Emissions, Efficiency, Heating Capacity and Burn Time may vary depending on actual home floor plan, type of fuel used, and moisture content. Emissions numbers are those that have been certified by the U.S.E.P.A. BTU output based on burning cordwood. Efficiency numbers are based on Oregon Dept. of Environmental quality test standards.

Framing Specifications

Please consult your Owner's Manual for Framing Specs.

	36 Elite	44 Elite
A =	45 1/2"	50 1/2"
B =	26"	26"
C =	43"	50"

NOTE: Make sure the enclosure is wide enough to accommodate the blower (see Owner's Manual for details).



Clearance Specifications

To Combustible Mantle:

23" from fireplace face.

To Combustible Facing:

Top Facing 12" - Side Facing 2 1/2" from fireplace face.

Hearth:

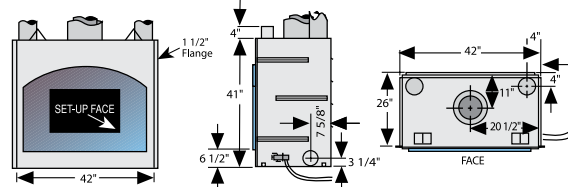
Requires a 20" non-combustible hearth.

Use one of the following brands and series of chimney:

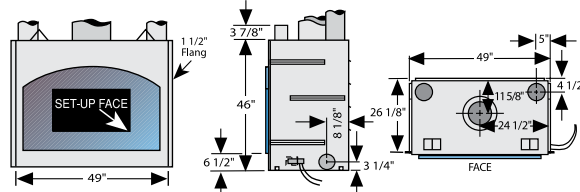
- Simpson Duravent 8" x 12"
- Temco 82
- Firecraft FTF8 (Superior TF8)
- FMI 8DM
- Marco 8D Labs

Improper installation of your wood fireplace or failure to operate it according to the guidelines detailed in the Owner's Manual, may negate your warranty and endanger your home and family. Contact your local building or fire official about restrictions and installation requirements in your area.

Model 36 Elite Dimensions



Model 44 Elite Dimensions



www.fireplacex.com



Warranty

Your wood burning fireplace is backed by a network of Specialty Hearth Dealers and certified factory trained Installers. FireplaceX warrants our products to be free from defects in material and workmanship for a period of seven years from date of purchase. All parts, electronics, and labor are covered for a full two years. No other manufacturer's warranty can compare.



Firescreens



If you have young children or pets in your home, consider installing a fire screen. Make sure the fire screen is tall enough and placed far enough away so that reaching arms can't touch the surface of the fireplace. This will allow everyone in your home to safely enjoy the comfort and warmth of your new fireplace.

Additional Fireplace Xtrordinaire Products



Wood Burning Inserts

FireplaceX offers two flush to the fireplace wood burning inserts. The Flush Wood Plus and the Large Flush Wood Hybrid-Fyre™ insert that features super clean burning, high efficiency and the revolutionary GreenStart™ auto wood igniter.



Gas Burning Inserts

Turn your old, open masonry or metal (zero clearance) fireplace into a clean, efficient source of heat for your home. FireplaceX offers a complete line of heater rated wood and gas inserts to fit virtually any existing fireplace.



Traditional Gas Fireplaces

FireplaceX offers a complete line of heater rated gas fireplaces in both landscape and portrait-style designs. There are Fireplace Xtrordinaire gas fireplaces in many sizes and for every heating need.



Linear Gas Fireplaces

FireplaceX offers a complete line of heater rated linear gas fireplaces in 36", 44" and 60" lengths. These linear gas fireplaces feature under lite glass and stone media and a wide variety of optional interior liners, Fyre-Art™ log and stone kits and the ability to vent heat to adjoining rooms.



See our complete line of fireplaces
Visit us online: www.fireplacex.com

Manufactured By Travis Industries, Inc., Mukilteo, WA

Travis Wood Burning Fireplaces, Stoves and Inserts are protected by one or more of the following patents; U.S. 9,170,025, 4,665,889 as well as other U.S. and Foreign Patents pending. Photos and illustrations are for descriptive purposes only. We reserve the right to improve or change our products without prior notification. Trademarks belong to Travis Industries, Inc. Consult the Owner's Manual for complete installation requirements. © Copyright T.I. 01/2018 - Printed in the U.S.A. 98800160