



4415 See Through GSR2 Cheat Sheet

The 4415 ST GSR2 has several new features and characteristics that require special attention during installation and set-up. This unit uses the new GreenSmart 2 system. Refer to the owner's manual for full details.



ONE SIDE HAS GLASS LATCHES, ONE SIDE USES SCREWS.
MAKE SURE TO POSITION THE FIREPLACE SO THE
LATCHED SIDE IS ON THE ACCESSABLE SIDE.

REMOVE THE SCREEN BEFORE YOU REMOVE THE GLASS FRAME

This fireplace uses screen barrier. Make sure to remove the barrier prior to removing the glass frame.

1. Remove the concealment cover and place aside. It has two holes that aid in removal.



2. Remove the three screws holding the screen in place (1/4" nutdriver- magnetic driver recommended). Then pivot the screen down slightly until the clips on the bottom disengage from the glass frame.



Glass Frame Tool

The glass frame tool is shipped inside the fireplace, under the concealment cover. The first time it is used you may need to loosen the screw (1/4" wrench). The tool is accessed after removing the screen. Replace the tool in this location after use.





4415 See Through GSR2 Cheat Sheet

Glass Frame Removal

Use the glass tool to unlatch the glass frame. Remove the glass frame. The glass frame is held in place with four tabs inserted into four slots at the bottom of the firebox opening. See manual for details.



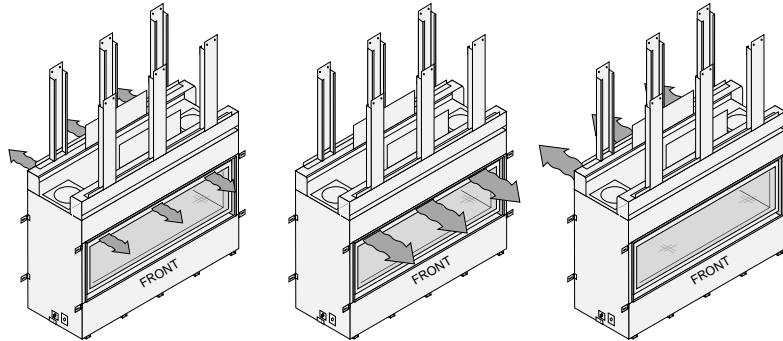
Convection Air Diverter

This fireplace is equipped with an air deflector to allow the heated convection air to be directed to the front, back, or both.

Divided Air Flow (stock)

Air Flow to Front

Air Flow to Back



If using LP (Propane)

A conversion kit is required if using propane with this heater (sku 94400999 – GSR Stepper Motor Kit).

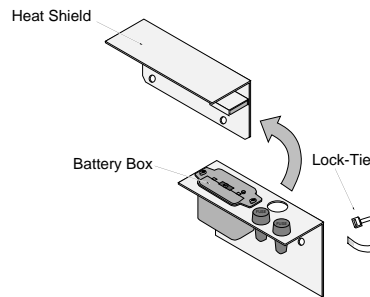
No Drill or Screw Zone

Controls for this fireplace are directly in front. Do not drill or screw into this area (see manual for details).

Battery Box Heat Shield

Travis Industries recently updated the 6015 to include a heat shield over the top of the battery box. Make sure to replace this heat shield after installing the batteries. The heat shield must be in place whenever the fireplace is in operation.

NOTE: The heat shield is shipped in place. It is held in place with a lock-tie. **Remove and discard this lock-tie** to allow the heat shield to be removed and the batteries installed.



This Fireplace Uses a Unique Remote (no comfort control)

This fireplace uses a single-burner configuration, unlike our other fireplaces. The remote has been re-programmed to remove the comfort control feature.

Drywall Supports

This fireplace comes with (6) non-combustible framing members that need to be field installed between the top of the fireplace and the header. See manual for details.

Pipe Shield

This fireplace includes a pipe shield for minimum vent configurations - see manual for details.