

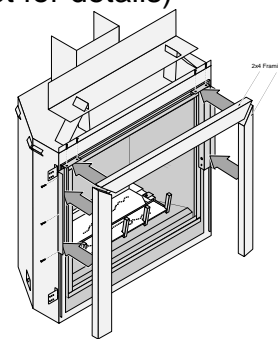
The new ProBuilder 36CF & 42CF fireplace has several new characteristics that require special attention during installation. **Refer to the manual for full details.**

- This fireplace comes with a standard log set.
- Ember-Glo™ Lights are an optional accessory for the fireplace (sku# 94400897). IT IS EASIER TO INSTALL THE LIGHTS PRIOR TO INSTALLING THE FIREPLACE.

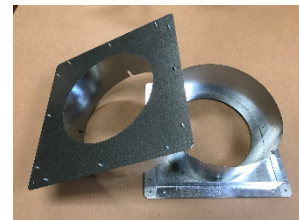


- An optional blower kit is available for this fireplace (sku# 99000199) – IT IS EASIER TO INSTALL THE BLOWERS PRIOR TO INSTALLING THE FIREPLACE.
- This fireplace is compatible with the CoolSmart TV system:  
Use 98900778 for the 36  
Use 98900779 for the 42 (see manual and online instruction sheet for details)

- A thick facing template is available to aid in the installation of material thicker than 1-1/2" (sku# 98500701)
- The fireplace is a TOP VENT ONLY but can terminate horizontally.
- The SIT Basic Remote is compatible with this fireplace (sku# 99300695).

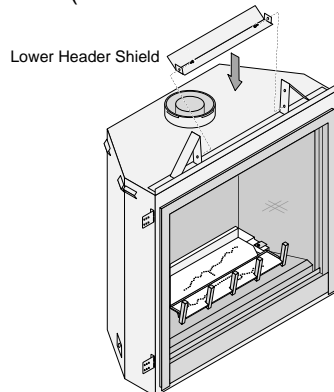


- A wall thimble is included with the fireplace. It is required when penetrating a combustible wall (see manual for details).



## **PB 42 Only**

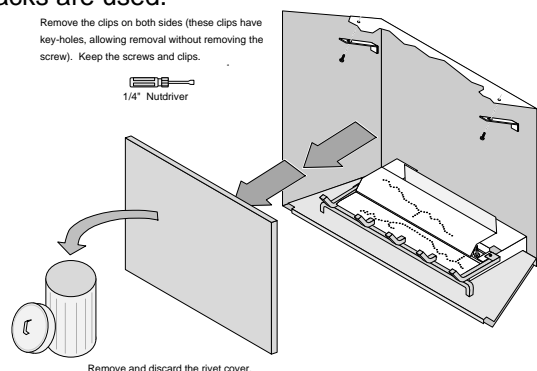
**LOWER HEADERSHIELD** - Make sure to install the lower headershield (see manual for details).



**REMOVE RIVET SHIELD IF USING FIREBACKS** – This component is used to conceal fasteners when no firebacks are used.

Remove the clips on both sides (these clips have key-holes, allowing removal without removing the screw). Keep the screws and clips.

1/4" Nutdriver



Remove and discard the rivet cover.