

430 GSR2™ Gas Fireplace Insert



fireplace**x**tordinair™

Model 430 GSR2 Gas Insert

The 430 GSR2 is a smaller version of the 616 GSR and is designed to fit into smaller fireplaces. This gas insert showcases a very large viewing area with a traditional hearth look. Note how the ceramic glass goes almost all the way to the bottom of the unit and hearth. The 430 GSR2 gas insert converts an existing masonry or metal fireplace into an efficient heater while preserving the charm of a traditional fireplace.

This high efficiency gas insert is beautiful and designed to produce heat when you need it, but also has the ability to dial back heat output when you don't. The GreenSmart 2 remote allows you to turn down the heat up to 64% and still have an appealing fire that you can enjoy all year long.

Amazing Wood-Like Flame

The 430 GSR2 features one of the best looking flame and logs of any gas insert on the market. The flame is tall and burns evenly across and around the logs. You will find the gentle flickering yellow orange flame warm, comforting and appealing.



Use your smart phone or tablet to watch a video of the flame in action.

Features

- Fully loaded GreenSmart 2™ burner system with standard GreenSmart 2 remote gives you optimum performance and low operating cost.
- Laterally located controls allow for an increased glass viewing area of almost 20% over traditional gas inserts.
- Removable mesh safety screen over glass.
- Convection chamber with standard fans (180 CFM total) quickly heats up your home.
- Top and rear interior accent lights.
- Choice of switching between intermittent (electric ignition) or continuous standing pilot.
- Battery back up for operation during power outages.
- Self-balancing flue restrictor for optimum performance and flame appearance.



Bronze Shadowbox Face with Black Painted Fireback and Traditional Log Set

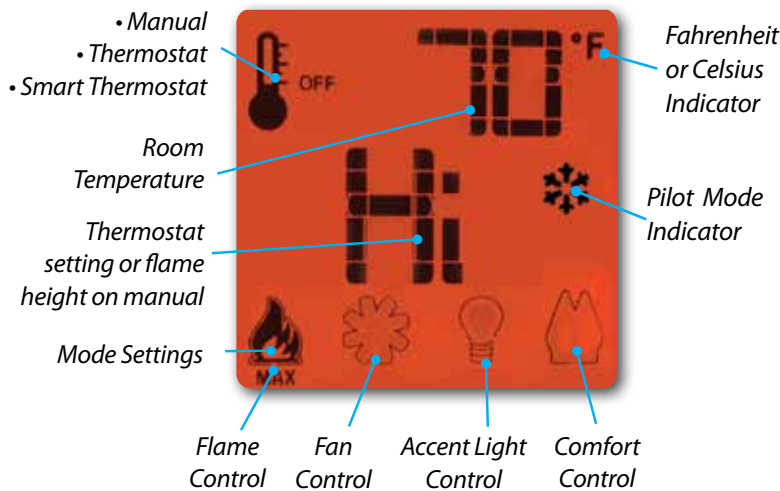




*Black Painted Metropolitan Face with
Handmade Brick Fireback and Traditional Log Set*

GreenSmart 2™ Remote Control System

The GreenSmart 2™ remote offers the ultimate in features and convenience from any location within 25 feet of your appliance and includes a bracket for wall mounting the remote.



Use your smartphone or iPad™ to watch a video of how the GreenSmart 2™ remote works.

• Manual Setting:

Fire ON/OFF and adjust flame height.

• Thermostat

Thermostat control setting turns fire automatically ON and OFF to maintain set temperature.

• “Smart” Thermostat (Set-it-and-forget-it!)

In “Smart” Thermostat mode the flame will modulate from low to high, or high to low until the set temperature is reached. This will conserve fuel usage and extend the viewing pleasure of the fire. If the room temperature exceeds the thermostat setting, the unit will shut off until heat is required again. The most comfortable and efficient way to heat your home.

Fuel and Cost Savings:

Example:

A standing pilot appliance uses .552 therms of gas each day. The average therm of natural gas is \$1.10, or \$0.60 to run every day - no matter if the appliance is on or off. 365 days of standing pilot usage equates to 201 therms of gas or \$219. Propane can run up to three times this cost. The GreenSmart System helps you save on both energy usage and your heating bill.



Finish Surround Panels

For a clean look, one piece surround panels are available for a flat to the fireplace finish. Panel comes in two sizes to cover most fireplace openings.

Small - 25" (635mm) H x 38" (966mm)W

Large - 28-1/2 (724mm)" H x 40" (1016mm) W

Your Fireplace Xtrordinair dealer also offers custom fit surround panels that are built to your exact specification and can be ordered in three-sided or four-sided versions.



Decorative Log Options

Choose between a traditional nine piece log set with glowing embers or the stylish Driftwood Fire art for the interior of your insert.



Traditional Log Set



Driftwood Log Set

Face Options

Personalize your fireplace from the outside by choosing one of four different designer faces. All faces come with safety screens.



Universal Face



Metropolitan Face



Shadowbox Face - Black



Shadowbox Face - Bronze

Firebacks (Required)

Leave the interior basic black for a simple look, or add one of five decorative brick or metal firebacks.



Black Painted Fireback



Handmade Brick Fireback



Common Brick Fireback



Herringbone Brick Fireback



Black Enamel Fireback

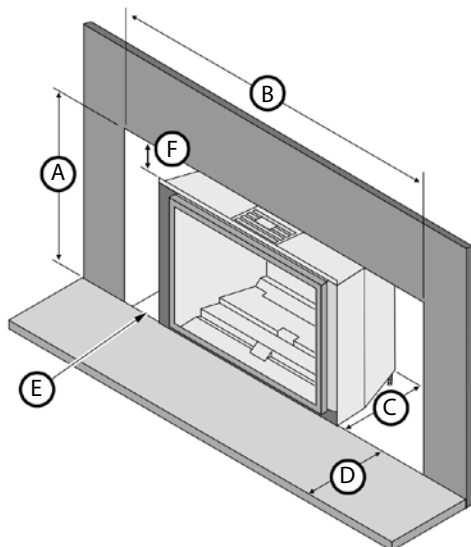


*Stainless Steel Fireback
(Metal will patina with age)*

NOTE: ALWAYS REFER TO THE PRODUCT OWNER'S MANUAL FOR COMPLETE INSTALLATION INSTRUCTIONS. FAILURE TO DO SO CAN RESULT IN VOIDING OF THE WARRANTY AND PRESENT A POTENTIAL SAFETY HAZARD!

MANUAL CAN BE FOUND AT WWW.FIREPLACEX.COM

Minimum Fireplace Requirements

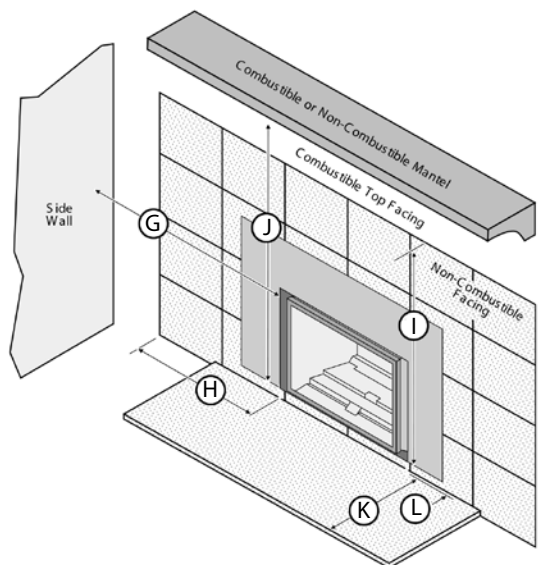


Fireplace Sizing

(A) Minimum Height	20.25" (515mm)
(B) Minimum Width	30.5" (775mm)
(C) Minimum Depth	15.5" (394mm)
(D) Hearth Depth	1.75" (45mm)

- (E) The gas and electrical line should be installed prior to installing the heater.
- (F) For tight fits (under 24") see "Removing the Vent Connector".

Minimum Clearances To Combustibles



Minimum Clearances

G Sidewall to Insert	5" 127mm
H Side Facing (non-combustible)	3.375" 86mm
I Top Facing* (non-combustible)	32.375" 823mm
J 12" Mantel* (combustible or non-combustible)	34.5" 877mm
4" Mantel* (combustible or non-combustible)	33.5" 851mm
K Hearth Extension to the Front	1.75" 45mm
L Extension onto Hearth	0" 0mm

* Measured from the base of the insert.

NOTE: the non-combustible top facing must extend 32.375" (823mm) above the base of the insert or to the bottom of the mantel (whichever is less).

Dimensions

DEPTH	15-1/2" (394mm)
HEIGHT	20-1/4" (515mm)
WIDTH FRONT	30-1/2" (775mm)
WIDTH BACK	21" (534mm)

Specifications

- INPUT HIGH: 31,000 BTUs/Hr
- INPUT LOW: 11,241 (NG) BTUs/Hr
7,702 (LP) BTUs/Hr
- P4 Efficiency: 65.29% (NG)
67.56% (LP)
- 64% Turndown Rate with Comfort Control™
- Dancing-Fyre™ Burner
- Heating Capacity: 500 to 1,500 Square Feet

* Heating Capacity will vary with floor plan and ceiling height, insulation, and outside ambient temperature.

† P4 Efficiency determined using CSA P4.1-02

Insert Wiring Kit Option

Don't want the power cord running across the front of the hearth? The optional insert wiring kit allows you to hard-wire your AC power from inside the fireplace. Ask your dealer for details.

Built with pride in the USA



See our complete line of fireplaces and inserts at: www.fireplacex.com

Photos and illustrations are for descriptive purposes only. We reserve the right to improve or change our products without prior notification. GreenSmart™, Dancing-Fyre™ and all other trademarks belong to Travis Industries, Inc. Consult the Owner's Manual for complete installation requirements.

© Copyright T. I. 2013/06

Printed in the U. S. A.

98800705