



# LINEAR GAS FIREPLACES



## ***A Transitional Interpretation of Fire***

Fireplace X® has pushed the limits of fire once again, by creating our most transitional lineup of fireplaces yet. We've taken a traditional fireplace and extended the length to give it a sleek linear profile with tall, dancing flames that emerge from a bed of glowing, under-lit crushed glass. The result is our Linear Gas Fireplace Series.

## ***The Perfect Balance of Beauty and Function***

The 3615™, 4415™, 4415 See-Thru™ and 6015™ represent the very best of home heating and style. These fireplaces feature variable heat outputs and can be personalized or finished to complement any home's décor, making them perfect for any living space, from cozy dens to great rooms.

## ***Quality and Craftsmanship***

The Linear Gas Fireplaces are built to extremely high standards, using the finest materials available at our factory located in Mukilteo, Washington. See the difference in the level of quality, heavy duty construction, and workmanship of these fireplaces.

## ***GreenSmart® Remote Control***

The GreenSmart® remote offers the ultimate in features and convenience at your fingertips.



### ***Multi-Function Control***

Functions of the Remote:

- Thermostat
- Flame Adjustment
- Fan Operation
- Accent Light Adjustment
- GreenSmart® /CPI Pilots



*\*Scan this QR Code to watch a video on how the GreenSmart® remote works.*

*On Cover  
4415™ See-Thru shown with LedgeStone Fireback,  
Driftwood Log Set and Bronze Glass.*



*4415™ shown with Burnished Ironworks™ Trim,  
LedgeStone Fireback, Driftwood Twigs and Stones  
Fyre-Art™ Kit and Platinum Glass.*



[www.fireplacex.com](http://www.fireplacex.com)

**FIREPLACE**  
FIREPLACE XTRORDINAIR

## See The Difference In Quality and Craftsmanship

- High output home heaters.
- Huge Neo-Ceramic glass viewing area with nearly invisible 2015 ANSI-compliant safety screen.
- Diamond-Fyre™ linear burner with five media options.
- Adjustable under-lit accent lighting highlights the beautiful flames and glass media. This feature can also be used as mood lighting in the room when the fireplace is not burning.
- GreenSmart™ control system with standard remote control.
- Twin 90 CFM (180 total) convection fans quickly move heated air throughout the home
- Bi-metallic damper in the exhaust automatically opens at start-up and closes as the fireplace heats up to ensure the best looking flame and performance at all times.
- Heavy duty, welded 14-gauge steel fireplace body.



Scan this QR code to watch a video of the 4415 See-Thru burning with each of the Fyre-Art™ options



3615™ shown with the  
Tile Trim Kit, LedgeStone Fireback,  
and Bronze Glass.



6015™ shown with Gallery Face,  
Black Enamel Fireback, Tumbled Stone Kit,  
and Rock Embers.



*4415™ shown with Black Enamel Fireback, Driftwood Fyre-Art™, Bronze Glass and 2" Trim Kit.*

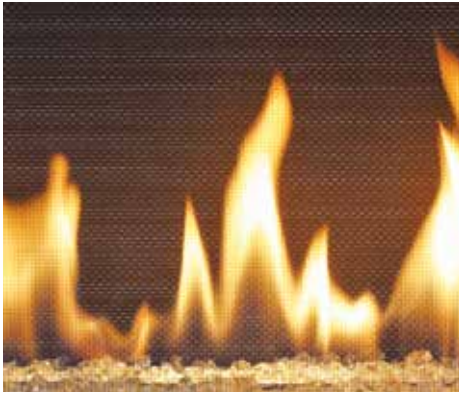


[www.fireplacex.com](http://www.fireplacex.com)



## Firebacks (Required)

Choose from four unique options to line the firebox of your linear fireplace.



**Black Painted Fireback**

*Creates the illusion of a large, deep firebox.*



**Ledgestone Pattern Fireback**

*A naturally dramatic fireback with three-dimensional shadowing from the flames and light.*



**Black Porcelain Enamel Fireback**

*Creates a rich flame reflection.*



**Silver Painted Fireback**

*Soft silver finish that lightens up the interior of the fireplace. (Limited to Stock On Hand)*

## Interior Floor Media (Required)

Once you've chosen your fireback, choose one of Five different medias for the floor of your fireplace. See your dealer for custom colors.



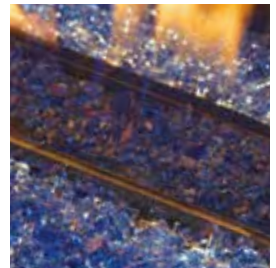
*Platinum Glass*



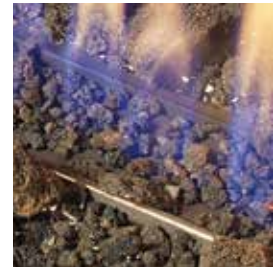
*Black Glass*



*Bronze Glass*



*Cobalt Glass*



*Rock Embers*

## Fyre-Art™ (Optional)

Although not required, these decorative options allow you to personalize your fireplace with a little added style.



*Driftwood Twigs and Stones Fyre-Art™ Kit*



*Traditional Log Set*



*Driftwood Log Set*



*Tumbled Stone Kit*



### Ironworks™ Trim Options

Available for the 4415 and 4415 See-Thru. Finish your fireplace with this hand-hammered, decorative trim. Available in your choice of beautiful, hand-rubbed Bronze or Burnished Patina finishes.



### Exterior Tile Trim Kit Option

Although this fireplace has a tile stop for your facing material to finish up to, the Tile Trim Kit can provide a more decorative option that beautifully finishes and frames the fire.

The Tile Trim Kit is 5/8" wide and is available in two adjustable depths: 1/2" – 7/8" or 1" – 1 1/2".

2" Tile Trim Kit provides a more decorative option that beautifully finishes and frames the fire. Adjustable from 1/2" to 1".

### Dimensions for the Gallery Face by model.

3615™: 47" W x 19-5/8" H

4415™: 55" W x 19-5/8" H

6015™: 71" W x 19-5/8" H

### 3615™ Specifications

- Heating Capacity\*: Up To 1,700 sq. ft.
- Variable Input: 18,331 to 33,000 BTUs/Hr (NG)  
17,555 to 33,000 BTUs/Hr (LP)
- Glass Size: 34" W (864 mm) x 13" H (330 mm)
- Steady State (High):\*\*: Up to 75.22% NG and Up to 77.38% LP
- Canada EnerGuide P4 Efficiency:\*\*†: 61.51% NG and 63.62% LP
- AFUE: 61.5% NG, 62.1% LP

### 4415™ Specifications

- Heating Capacity\*: Up To 2,100 sq. ft.
- Variable Input: 21,672 to 42,000 BTUs/Hr (NG)  
21,413 to 42,000 BTUs/Hr (LP)
- Glass Size: 42" W (1118 mm) x 13" H (330 mm)
- Steady State (High):\*\* Up to 77.08% NG and Up to 77.39% LP
- Canada EnerGuide P4 Efficiency:\*\*† 63.35% NG and 63.88% LP
- AFUE: 65.1% NG and 62.6% LP

### 4415™ See-Thru Specifications

- Heating Capacity\*: Up To 2,100 sq. ft.
- Variable Input: 21,672 to 42,000 BTUs/Hr (NG)  
21,413 to 42,000 BTUs/Hr (LP)
- Glass Size: 2 x 42" W (1118 mm) x 13" H (330 mm)
- Steady State (High):\*\* Up to 80.67% NG and Up to 82.84% LP
- Canada EnerGuide P4 Efficiency:\*\*† 70.73% NG and 71.71% LP
- AFUE: 72.3% NG and 71.1% LP

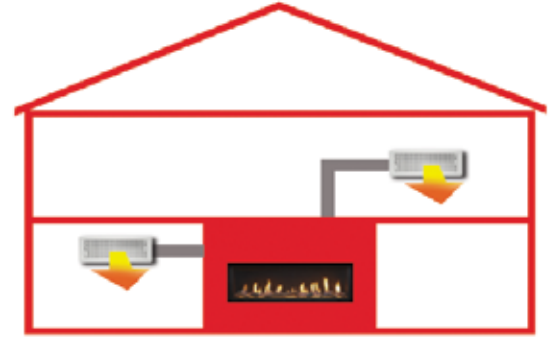
### 6015™ Specifications

- Heating Capacity\*: Up To 2,800 sq. ft.
- Variable Input: 30,273 to 56,000 BTUs/Hr (NG)  
29,626 to 56,000 BTUs/Hr (LP)
- Glass Size: 58" W (1473 mm) x 13" H (330 mm)
- Steady State (High):\*\*: Up to 77.34% NG and Up to 78.74% LP
- Canada EnerGuide P4 Efficiency:\*\* † 63.56% NG and 66.07% LP
- AFUE: 63.5% NG and 67.5% LP

### Optional Power Heat Vent Kits

(Not available on 4415™ See-Thru)

The High Output Linear Gas Fireplaces' heating power can be used to heat additional rooms in your home with the optional Power Heat Vent Kit.



Each kit consists of a 130 CFM fan and gives you the ability to redirect up to 50%\* of the heat from your fireplace into one or two additional room within 20 feet of the fireplace. \* When using two kits

### Gallery Face Option

The Gallery Face is black painted and accommodates tile or stone facing up to 1" deep. It features beveled sides that draw the eye in towards the fire, giving the fireplace a larger presence.



\* Heating Capacity will vary with floor plan and ceiling height, insulation, and outside ambient temperature.

\*\* Your results may vary depending on your vent configuration.

† P4 Efficiency determined using CSA P4.1-02.

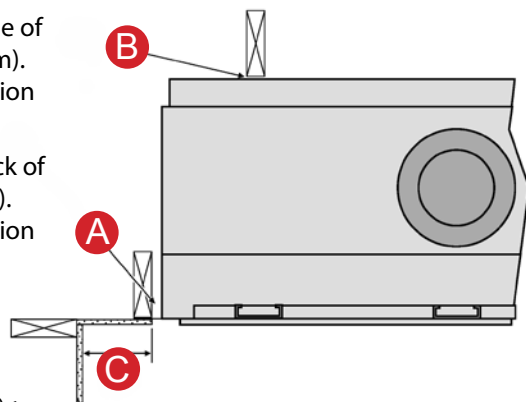
**NOTE: ALWAYS REFER TO THE PRODUCT OWNER'S MANUAL FOR COMPLETE INSTALLATION INSTRUCTIONS. FAILURE TO DO SO CAN RESULT IN VOIDING OF THE WARRANTY AND PRESENT A POTENTIAL SAFETY HAZARD! MANUAL CAN BE FOUND AT WWW.FIREPLACEX.COM**

### Minimum Clearances To Combustibles For Models 3615, 4415 and 6015

**A** = Clearance to Side of Fireplace 5/8" (16mm). Do not place insulation in this space.

**B** = Clearance to Back of Fireplace 1/8" (4mm). Do not place insulation in this space.

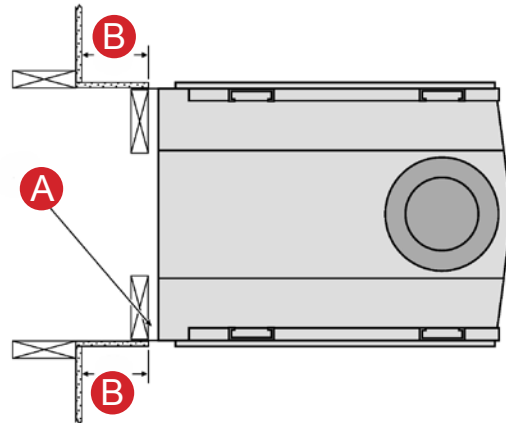
**C** = When installed, walls in front of the fireplace must be a minimum 3" (77mm) to the side of the fireplace.



### Minimum Clearances To Combustibles For Model 4415 See-Thru

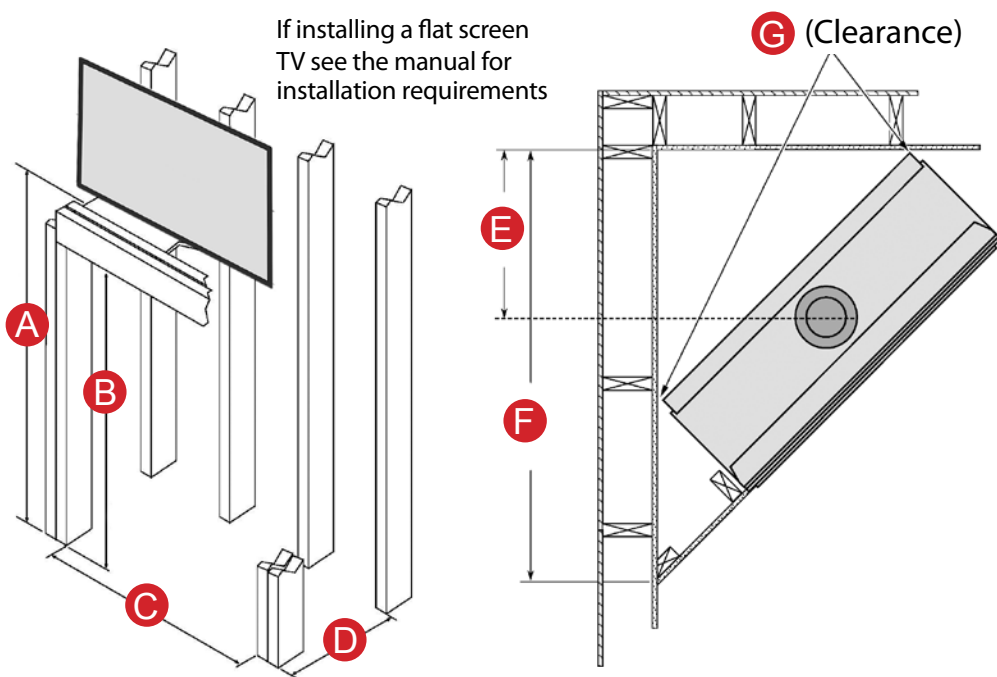
**A** = Clearance to Side of Fireplace 5/8" (16mm). Do not place insulation in this space.

**B** = When installed, walls in front of the fireplace must be a minimum 3" (77mm) to the side of the fireplace.



### Minimum Framing Requirements (See Owner's manuals for details)

If installing a flat screen TV see the manual for installation requirements



#### 3615™

A - 54"	1372 mm
B - 54"	1372 mm
C - 40-3/4"	781 mm
D - 17"	432 mm
E - 19-1/2"	495 mm
F - 52-1/8"	1324 mm
G - 5/8"	16 mm

#### 4415™

A - 60"	1524 mm
B - 60"	1524 mm
C - 48-3/4"	1238 mm
D - 17"	432 mm
E - 22-1/2"	572 mm
F - 58-1/4"	1480 mm
G - 5/8"	16 mm

#### 4415™ See-Thru

A - 64"	1626 mm
B - 64"	1626 mm
C - 52-1/4"	1328 mm
D - 16-1/4"	413 mm

#### 6015™

A - 66"	1676 mm NG	72"	1829 mm LP
B - 66"	1676 mm NG	72"	1829 mm LP
C - 64-3/4"			1645 mm
D - 17"			432 mm
E - 29"			737 mm
F - 69"			1753 mm
G - 5/8"			16 mm

### Warranty

Your gas fireplace is backed by a network of Specialty Hearth Dealers and certified factory trained installers. FireplaceX® warrants our products to be free from defects in material and workmanship for a period up to seven years from the date of purchase. All parts, electronics (except light bulbs), and labor are covered for a full two years. Trims are covered for a period of two years. No other manufacturer's warranty can compare.



See our complete line of fireplaces and inserts at: [www.fireplacex.com](http://www.fireplacex.com)

Manufactured by Travis Industries, Inc - Mukilteo, WA

FireplaceX™ Gas Fireplaces are protected by one or more of the following patents; U.S. 8,469,021, 7,066,170, 6,602,068, 6,443,726, 6,953,037; Canada 2755517 as well as other U.S. and Foreign Patents pending. Photos and illustrations are for descriptive purposes only. We reserve the right to improve or change our products without prior notification. GreenSmart® and all other trademarks belong to Travis Industries, Inc. Consult the Installation Manual for complete installation requirements.