



Compatibility

ProBuilder Series Linear Fireplaces (42PB, 54PB & 72PB)

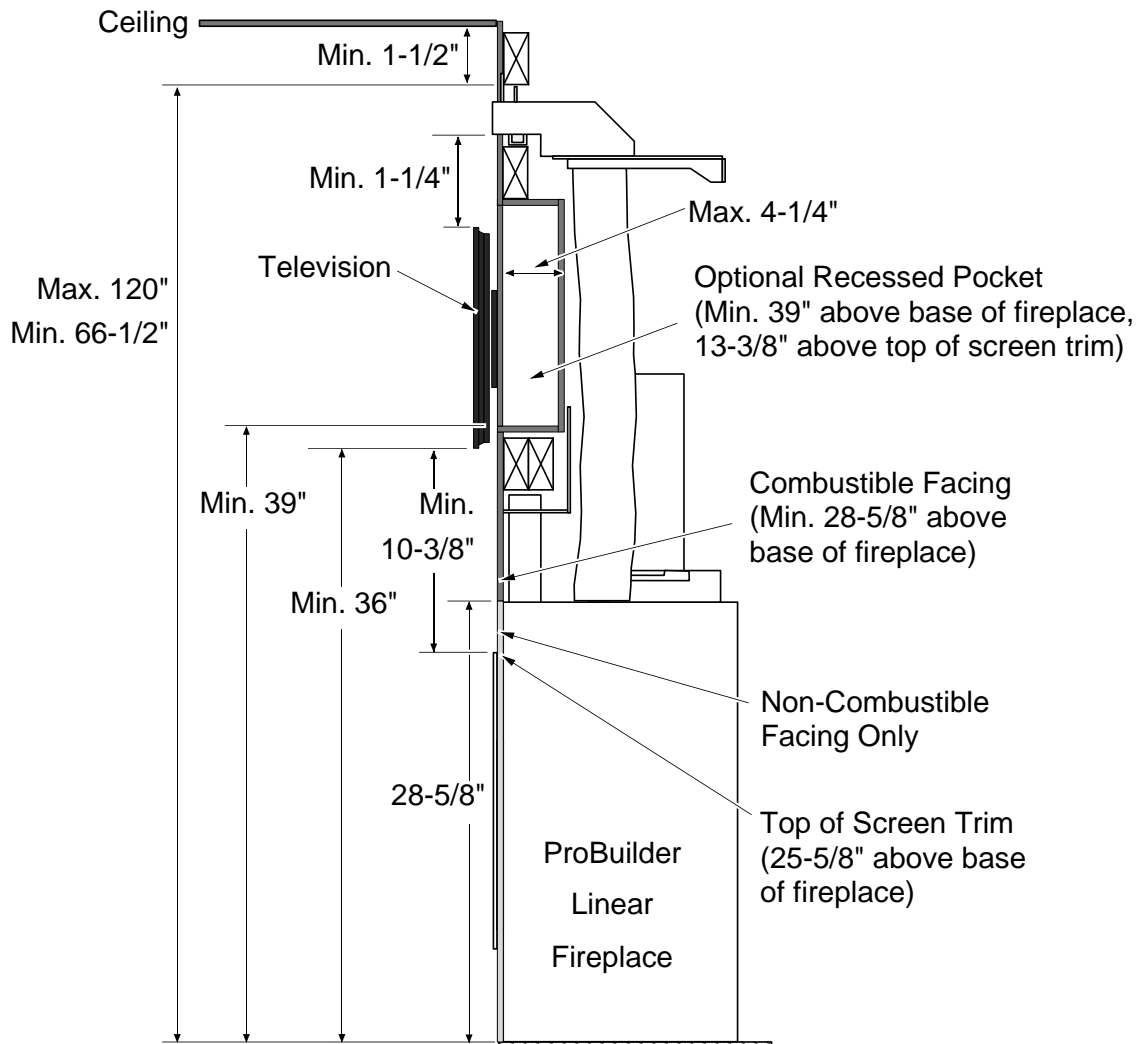
Packing List

- Convection Manifold (with grill and mounting brackets pre-attached)
- 5" Diameter Aluminum Flex Ducts (4) 42PB & 54PB, (6) 72PB
- Starter Collars – (4) 42PB & 54PB, (6) 72PB
- Self-Drilling Tek Screws – (24) 42PB & 54PB, (36) 72PB

Overview

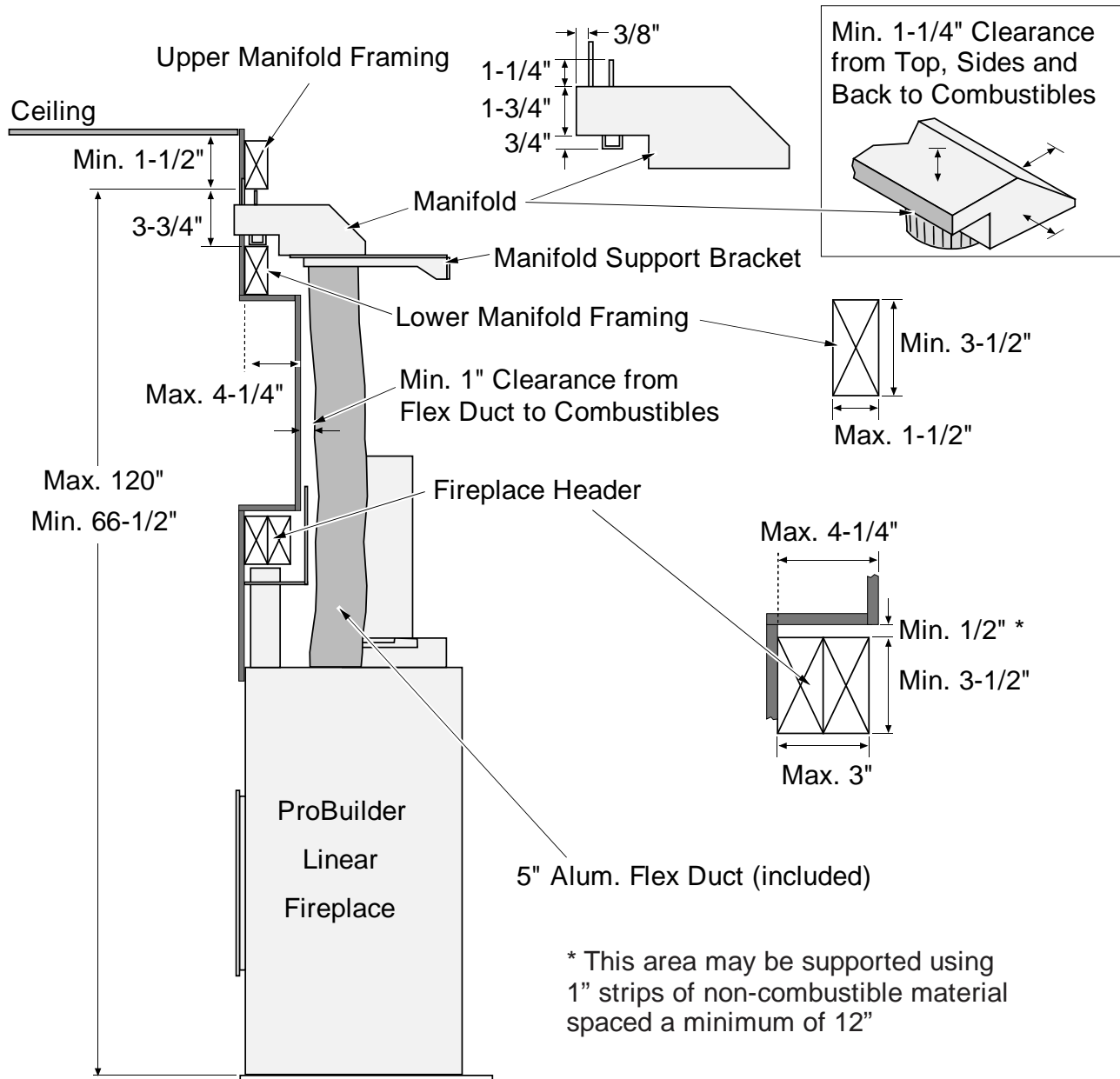
The CoolSmart system is designed to redirect the convective heat of the ProBuilder fireplaces from the front of the unit, just above the glass, to a location higher on the wall. The use of this kit allows for reduced clearance to combustibles and accommodates TV installations closer to the fireplace or in recessed cavities above the fireplace.

When using this kit, disregard the framing dimensions in the manual and follow the framing instructions shown on page 3. In addition, the non-combustible facing height is reduced above the fireplace (see illustration below). All other installation requirements for the fireplace must be followed as detailed in the appliance installation manual.



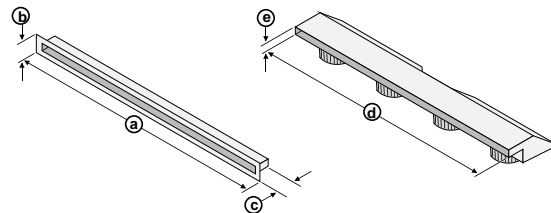


Installation Requirements



Grill and Manifold Dimensions

The grill may be installed over the facing to provide an aesthetic opening for the convection outlet. (2) 8-32 x 1-1/2" screws attach the trim to the upper manifold. This allows variable thickness of finish material.



Dimensions

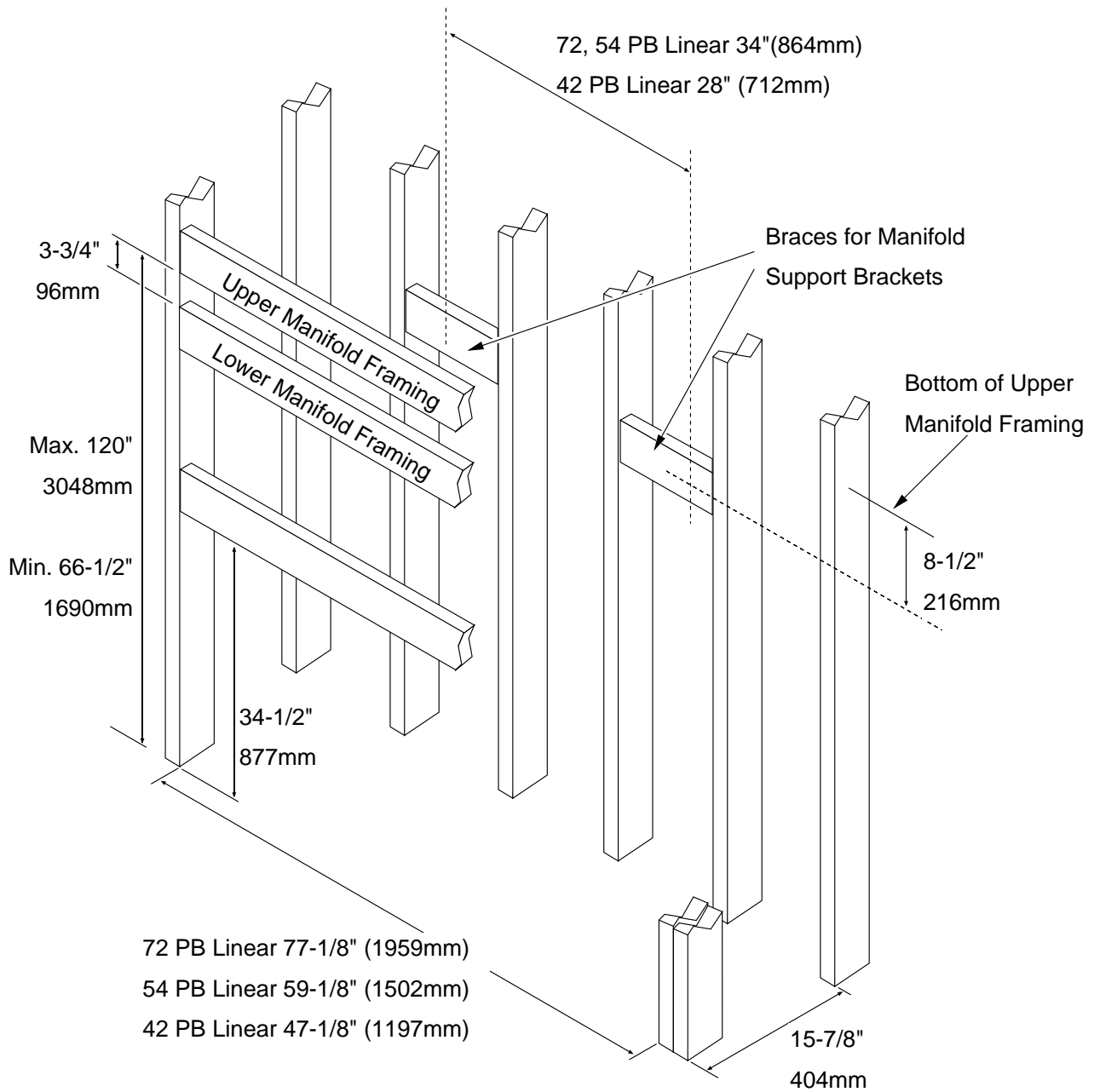
	a	b	c	d	e
PB 42	45"	2-7/8"	1-1/4"	44"	1-3/4"
PB 54	57"	2-7/8"	1-1/4"	56"	1-3/4"
PB 72	75"	2-7/8"	1-1/4"	74"	1-3/4"



ProBuilder Linear CoolSmart TV

(42PB - sku# 98900774)(54PB - sku# 98900775)(72PB - sku# 98900776)

Framing the Chase



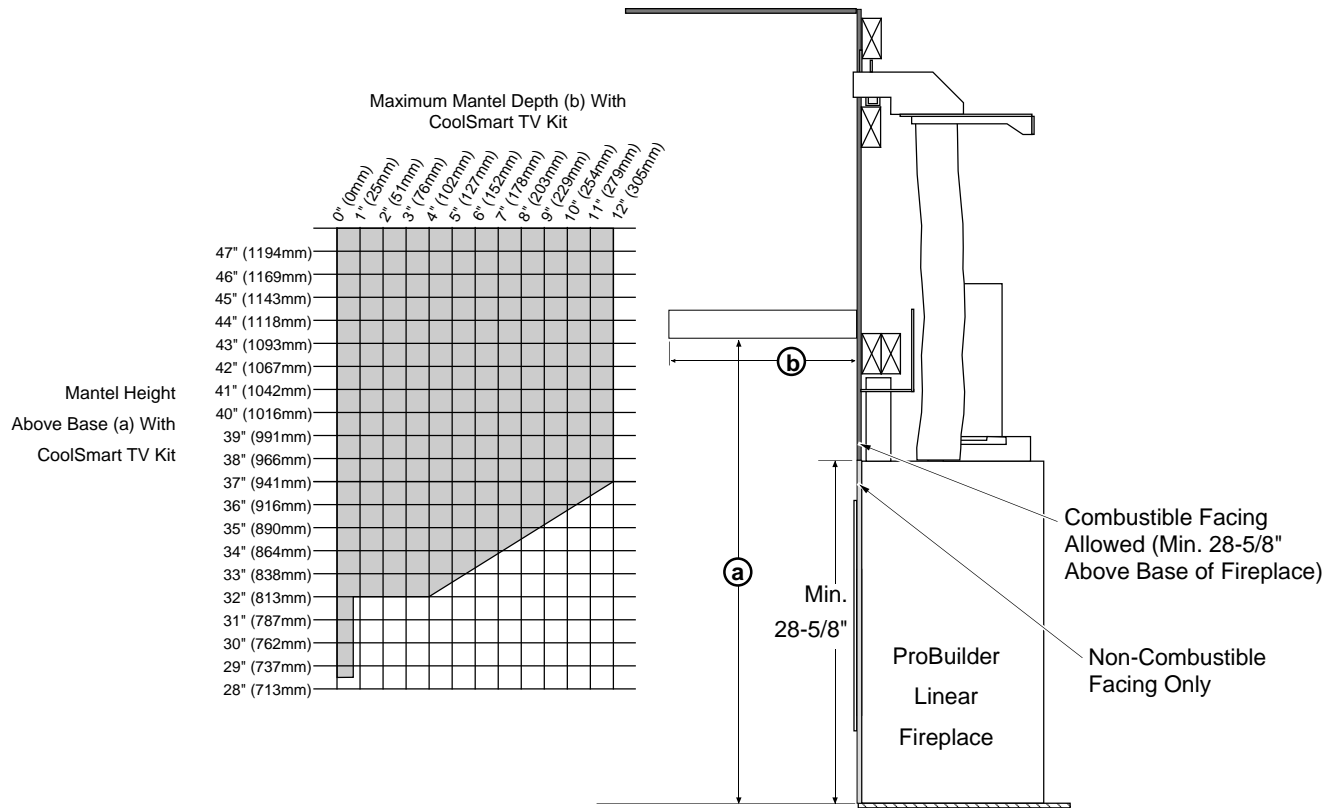


ProBuilder Linear CoolSmart TV

(42PB - sku# 98900774)(54PB - sku# 98900775)(72PB - sku# 98900776)

Mantel Clearances When Using CoolSmart Kit

When using the CoolSmart Kit the mantel clearances are revised (see illustration below). The mantel clearances in the manual may be disregarded when using this kit.

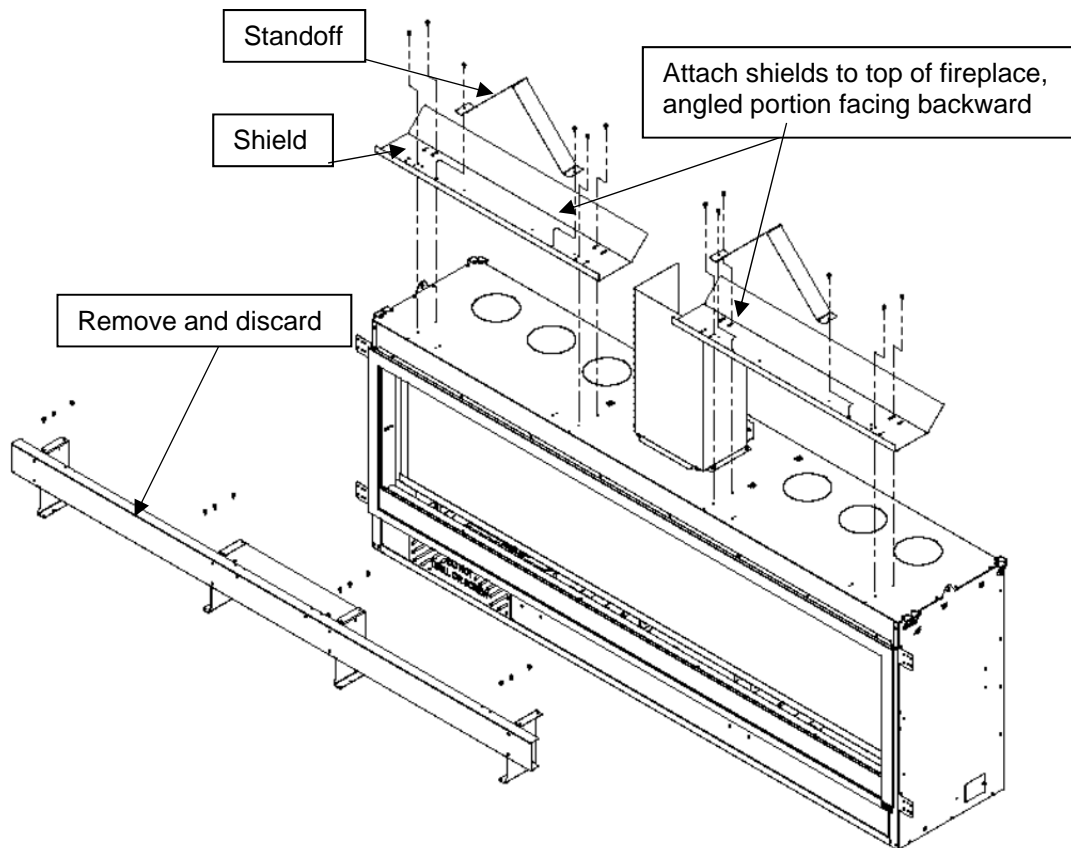




Installation

72 ProBuilder Only – Fireplace Preparation

1. Prepare the fireplace for installation into the framing by removing the two shields from the top of the header standoff assembly. Remove the standoffs from the shields. Set the shields, standoffs and fasteners aside for reinstallation.
2. Remove the header standoff assembly from the top of the fireplace by removing the (12) ¼" screws securing it to the unit. Discard the assembly.
3. Install the two shields directly to the top of the fireplace. The upward slanted portion of the shield faces the back of the fireplace.



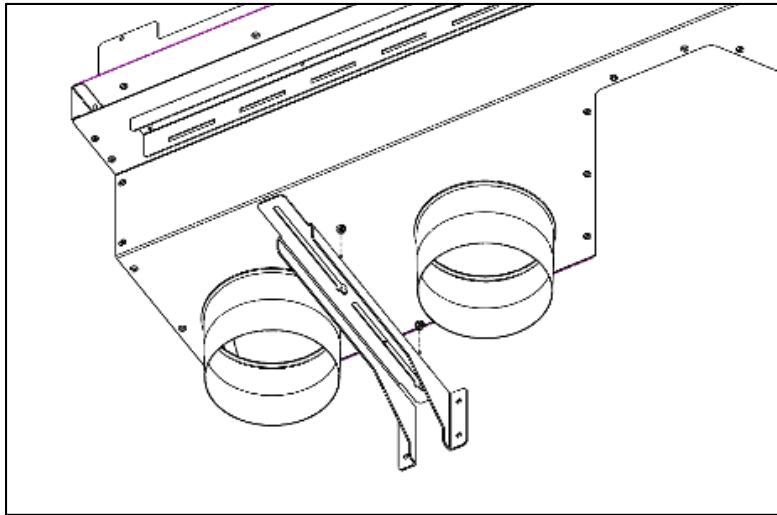
4. Bend up the "V" shaped standoffs and attach them to the top of the shields



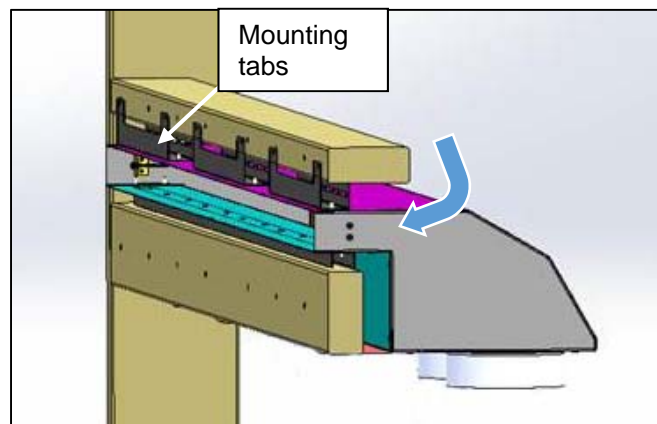
ProBuilder Linear CoolSmart TV

(42PB - sku# 98900774)(54PB - sku# 98900775)(72PB - sku# 98900776)

- 1 Remove the grill from the manifold (2 screws hold it in place).
- 2 Remove the rear-mounting brackets by loosening 1/4" screws and sliding it out of the keyhole slots.



- 3 Determine the desired location of the bottom of the convection air outlet. Install a horizontal framing member at the desired height, parallel to the header. Install a second horizontal framing member 3-3/4" above the first. These two framing members will support the upper convection manifold in the following steps.
- 4 Hold the upper convection manifold with the outlet facing the back of the framing members installed in the previous step. Tilt the outlet of the manifold downward until the outlet of the manifold and the two mounting tabs can fit between to two framing members. Slide the outlet into the gap and allow it to sit level again. The two mounting tabs will support the manifold.



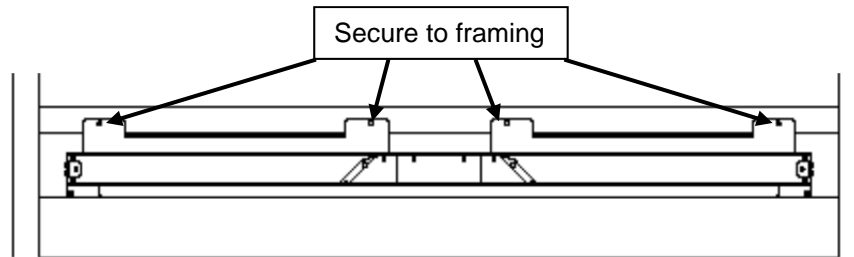


TRAVIS INDUSTRIES
HOUSE OF FIRE

ProBuilder Linear CoolSmart TV

(42PB - sku# 98900774)(54PB - sku# 98900775)(72PB - sku# 98900776)

- 5 Secure the manifold to the upper framing using screws (not included).



- 6 Re-attach the two rear mounting brackets (removed in step 6) to the bottom of the convection manifold. Leave the screws loose so the brackets can be positioned to the back of the chase. Secure the brackets to the chase using screws (not included). Tighten the screws securing the brackets to the manifold.



- 7 Remove the knockouts from the top of the fireplace (4 on the 42PB & 54PB, 6 on the 72PB)



TRAVIS INDUSTRIES
HOUSE OF FIRE

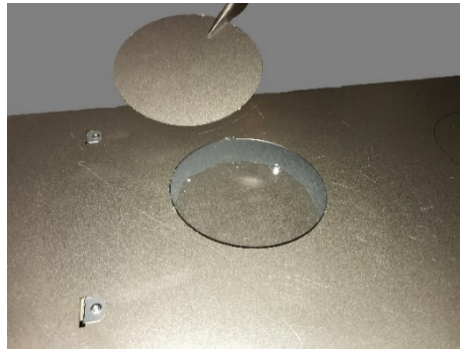
ProBuilder Linear CoolSmart TV

(42PB - sku# 98900774)(54PB - sku# 98900775)(72PB - sku# 98900776)

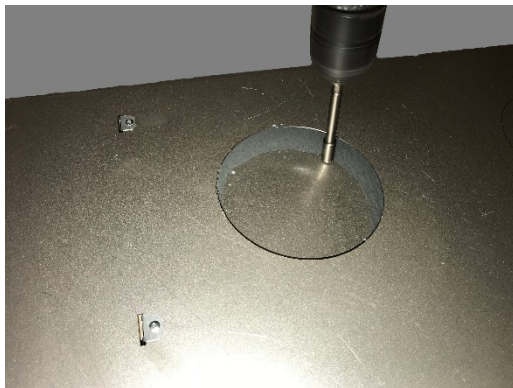
- 8 Use snips or diagonal cutters to snip the tab on the knockouts. Press on the far side away from the tap to pop the edge of the knockout up.



- 9 Grab on to the knockout with pliers and bend it back and forth until the remaining tabs break free. Discard the knock out plate.



- 10 Under each knock out plate, you will find a cover plate held in place with (2) ¼" screws. Use a nut driver or drill with an extension to remove the (2) screws. Reach in and remove the cover plate. You may discard the plates.



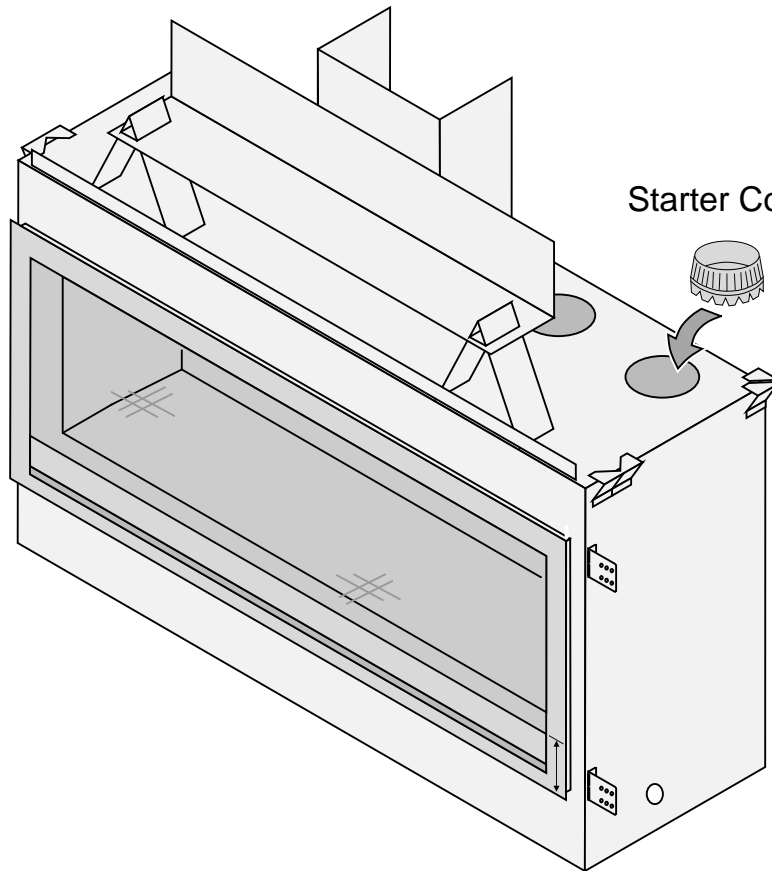


TRAVIS INDUSTRIES
HOUSE OF FIRE

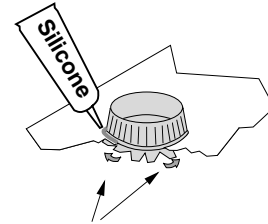
ProBuilder Linear CoolSmart TV

(42PB - sku# 98900774)(54PB - sku# 98900775)(72PB - sku# 98900776)

- 11 Insert a starter collar into each of the (6) holes that were uncovered in the previous step and bend the tabs to secure the starter collar to the fireplace.. Seal the joints with silicone caulk or aluminum (U.L. 181A-P) tape



Use silicone to seal the starter collar to the top of the fireplace.



Bend the tabs on the bottom of the starter collar up to lock it in place.

- 12 Install the fireplace into the framed chase. See section "Installation" in the manual.

NOTE: With the use of this kit, the clearance to combustible material may be reduced. Combustible material may be installed to the top of the fireplace box. Non-combustible is still required on all front surfaces of the fireplace box.

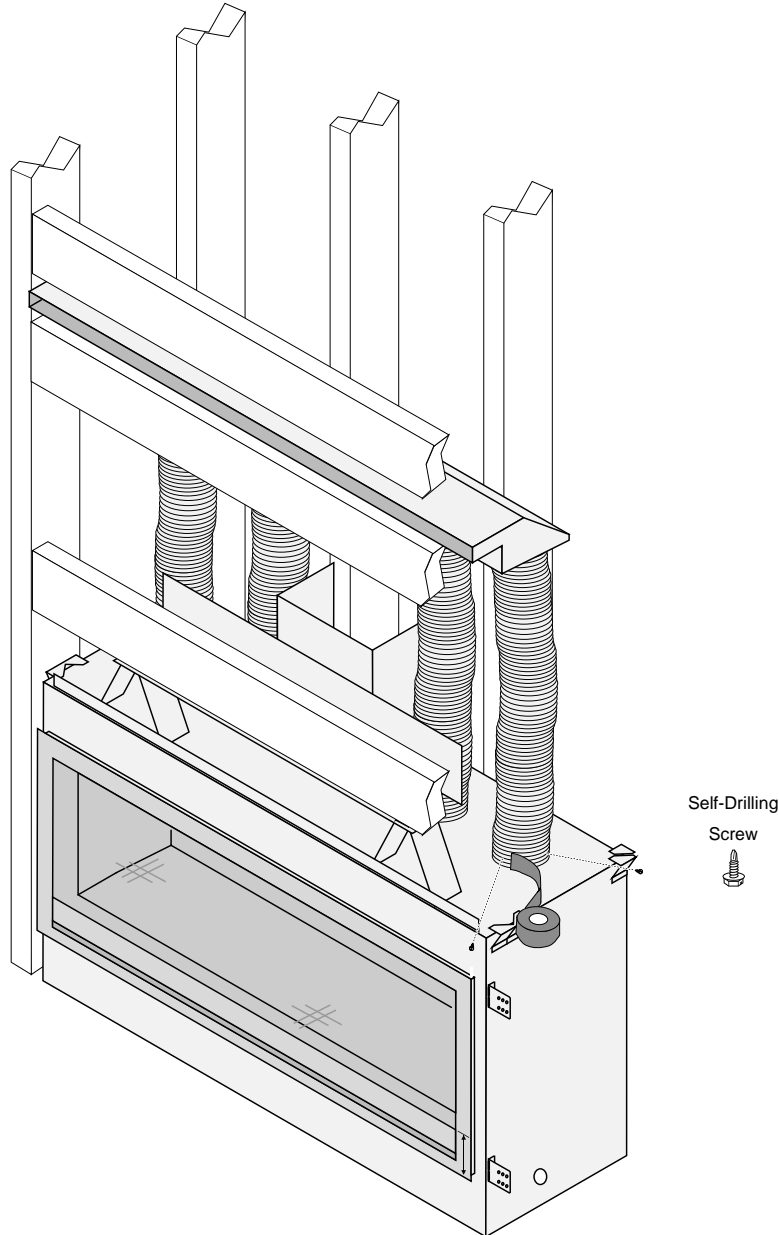


TRAVIS INDUSTRIES
HOUSE OF FIRE

ProBuilder Linear CoolSmart TV

(42PB - sku# 98900774)(54PB - sku# 98900775)(72PB - sku# 98900776)

- 13 Stretch the included flex to its maximum length. Measure the distance between the starter collars on the fireplace and the inlets on the convection manifold. Cut the flex to the appropriate length and install between the fireplace and the manifold. Secure using (3) screws at every connection and seal the joints with silicone caulk or aluminum (U.L. 181A-P) tape.



- 14 Cover the face of the fireplace and the outlet of the manifold to ensure no construction debris or sheetrock dust enters the unit.
- 15 Once all finish work is complete around the outlet of the manifold, install the outlet grill assembly using the two included screws (one at each end). The grill assembly will overlap finish material up to 1-1/2" thick. See fireplace installation manual for finishing details.

NOTE: The manifold opening protrudes 7/16" proud of the framing. The wall may be finished to the opening if you do not wish to use the grill trim.